

REV	ECN NO.	DR	DATE
A	---	HZ	2012-06-12
B	ELX-DG-012357-1	JW	2012-07-31

spec ref	-	dr	Wei-Long Zhang	2012/05/11	projection	MM	size	A2	scale	4:1
tolerance std	ISO 406 ISO 1101	eng	Wei-Long Zhang	2012/07/31			ecn no	ELX-DG-012357-1	rel level	Released
TOLERANCES UNLESS OTHERWISE SPECIFIED		chr	-	product family						
surface	ISO 1302	appr	Pei-Ming Zheng	2012/07/31			cat. no.	R/A RECT (24S-36P) HIGH POWER CARD EDGE	dwg no	10121038
linear	0.X ±0.3 0.XX ±0.10 0.XXX ±0.05	www.fci.com		Product - Customer Drw		sheet 1 of 4	rev	B		
angular	0° ±2°									

PDS: Rev :B

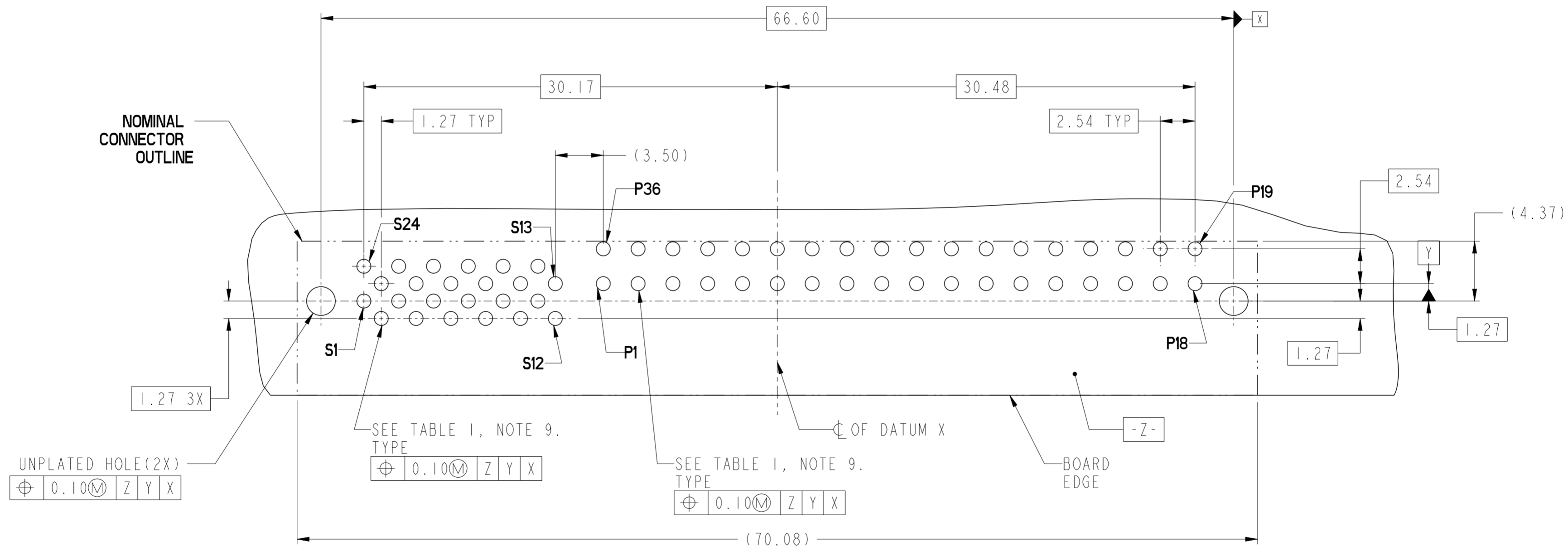
STATUS:Released

Printed: Jul 31, 2012



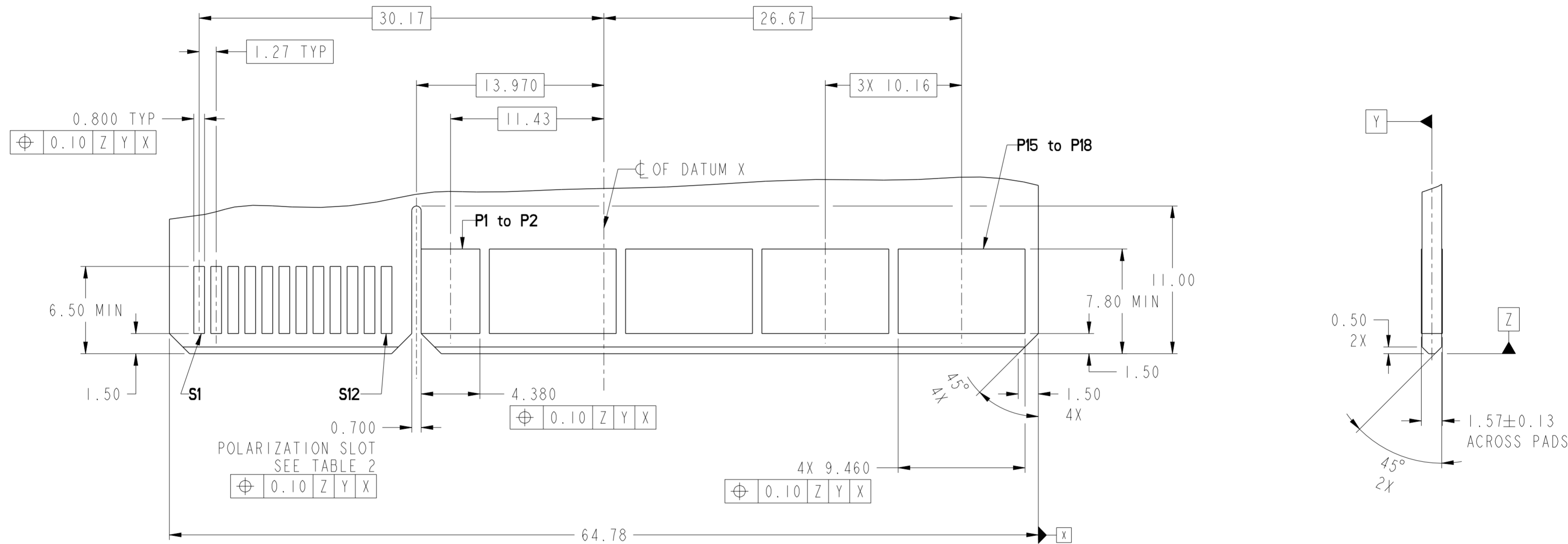
Copyright FCI.

CONTACT TYPE	TOP LAYER DESCRIPTION	TABLE 1 (HPCE / SOLDER TAILS) PLATED THROUGH-HOLE REQUIREMENTS				
		DRILLED HOLE DIAMETER	COPPER THICKNESS	TIN-LEAD THICKNESS	TIN THICKNESS	FINISHED HOLE DIAMETER
POWER & SIGNAL	TIN-LEAD	1.10-1.16 (1.15 DRILL)	0.025 - 0.050	0.005 - 0.015	--	0.94 - 1.10
	IMMERSION TIN	1.10-1.16 (1.15 DRILL)	0.025 - 0.050	--	0.9 - 1.5um	0.94 - 1.10
	COPPER (SEE NOTE 8)	1.10-1.16 (1.15 DRILL)	0.025 - 0.050	--	--	0.94 - 1.10



RECOMMENDED PCB LAYOUT

spec ref	-	dr	Wei-Long Zhang	2012/05/11	projection	MM	size	A2	scale	4:1	
tolerance std	ISO 406 ISO 1101	eng	Wei-Long Zhang	2012/07/31			ecn no	ELX-DG-012357-1	rel level	Released	
TOLERANCES UNLESS OTHERWISE SPECIFIED		chr	-	appr							Pei-Ming Zheng
surface	ISO 1302	linear	0.X	±0.3		R/A RECT (24S-36P) HIGH POWER CARD EDGE	dwg no 10121038	rev B	Product - Customer Drw		
		angular	0°	±2°					cat. no.	www.fci.com	sheet 2 of 4



RECOMMENDED MATING BOARD FOOT PRINT

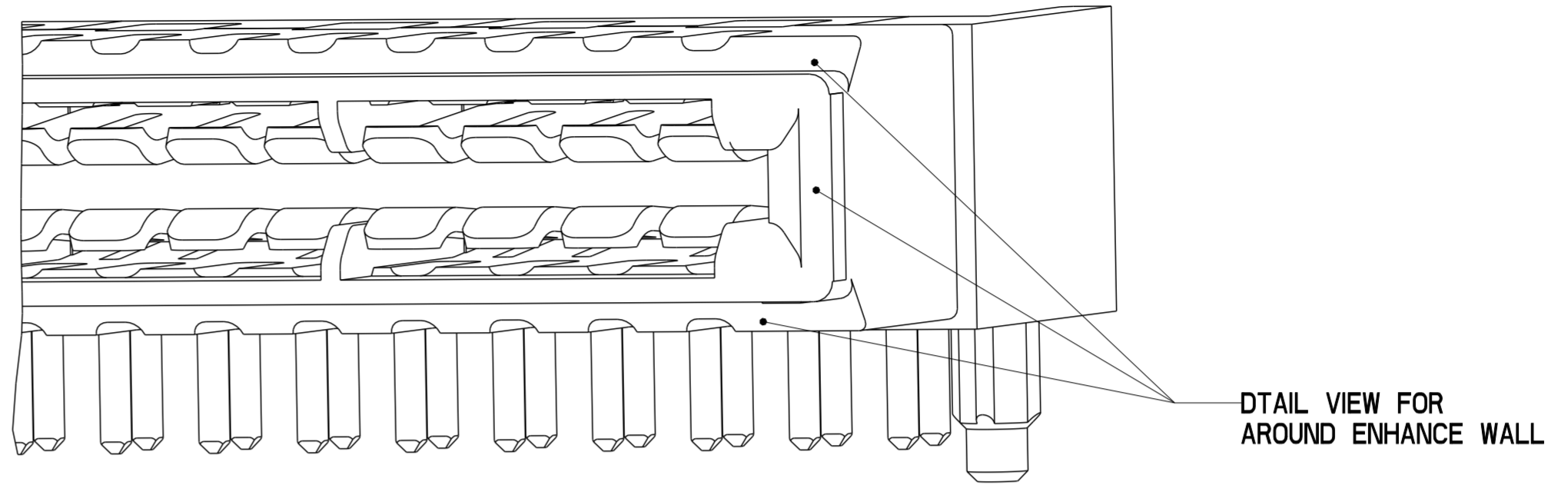
spec ref -		dr	Wei-Long Zhang	2012/05/11	projection	MM	size	A2	scale	4:1		
tolerance std ISO 406 ISO 1101		TOLERANCES UNLESS OTHERWISE SPECIFIED			eng	Wei-Long Zhang	2012/07/31	ecn no	ELX-DG-012357-1			
surface		linear	0.X	±0.3	chr	-	appr	Pai-Ming Zheng	2012/07/31	rel level	Released	
ISO 1302		angular	0°	±2°	product family		R/A RECT (24S-36P) HIGH POWER CARD EDGE		cat. no.	10121038	rev	B
www.fci.com		Product - Customer Drw		sheet 3 of 4								



Copyright FCI.

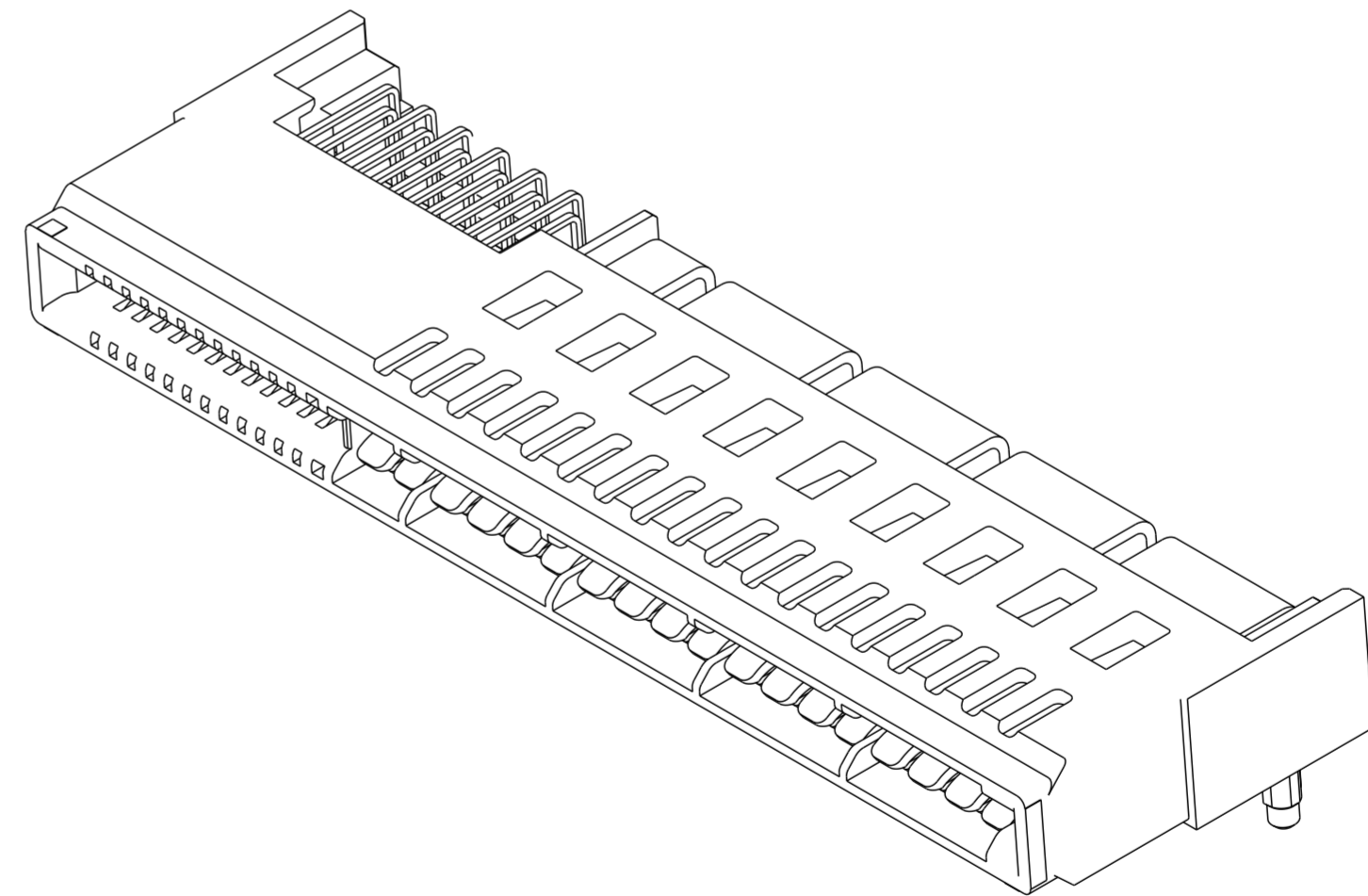
HPCE PART NUMBER (TABLE 2)

PART NUMBER	TAIL TYPE	HOLD-DOWN OPTION	ORIENTATION KEY	DIM "A" TYPICAL TAIL LENGTH
10121038-001LF	SOLDER TAIL	NO	YES	3.25±0.25
10121038-002LF			NO	
10121038-003LF		YES	YES	
10121038-004LF			NO	
10121038-005LF		NO	YES	2.60±0.25
10121038-006LF			NO	
10121038-007LF		YES	YES	
10121038-008LF			NO	



NOTES:

- CONNECTOR MATERIALS:
 HOUSING: HIGH TEMPERATURE THERMAL PLASTIC, BLACK
 UL 94V-0 COMPLIANT
 CONTACTS: HIGH PERFORMANCE COPPER ALLOY.
- CONTACT FINISH REF. GS-12-604 SECTION 5.2.
- PRODUCT SPECIFICATION: GS-12-604.
- APPLICATION SPECIFICATION: GS-20-128.
- PRODUCT MARKING (FCI - PART NUMBER & DATE CODE) ON HOUSING IN AREA SHOWN.
- PACKAGING MEETS FCI SPECIFICATION GS-14-937.
- HOUSING COMPONENT WILL WITHSTAND EXPOSURE TO 260°C PEAK TEMPERATURE FOR 60 SECONDS IN A CONVECTION, INFRA-RED, OR VAPOR PHASE REFLOW OVEN.
- COPPER PLATING THICKNESS IN CENTER OF VIA-HOLE CAN BE NO MORE THAN 0.003 LESS THAN OTHER AREAS.
- ALL HOLE SIZES ARE FINISHED HOLE SIZES.
- MOUNTING HOLES ARE UNPLATED
 $\Delta \varnothing 2.18 \pm 0.03$ FOR SOLDER TAILS
- Δ SYMBOL WILL BE NEXT TO ANY DIMENSION, VIEW OR NOTE WHICH HAS BEEN MODIFIED WITH THE CURRENT DRAWING REVISION.



spec ref	-	dr	Wei-Long Zhang	2012/05/11	projection	MM	size	A2	scale	4:1
tolerance std	ISO 406 ISO 1101	eng	Wei-Long Zhang	2012/07/31			ecn no	ELX-DG-012357-1	rel level	Released
TOLERANCES UNLESS OTHERWISE SPECIFIED		chr	-	apppr						
surface	ISO 1302	linear	0.X	±0.3			title	R/A RECT (24S-36P) HIGH POWER CARD EDGE	dwg no	10121038
		angular	0°	±2°	www.fci.com	cat. no.	Product - Customer Drw	sheet 4 of 4	rev	B

Mouser Electronics

Authorized Distributor

Click to View Pricing, Inventory, Delivery & Lifecycle Information:

[FCI / Amphenol:](#)

[10121038-008LF](#)