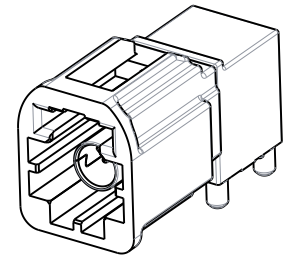


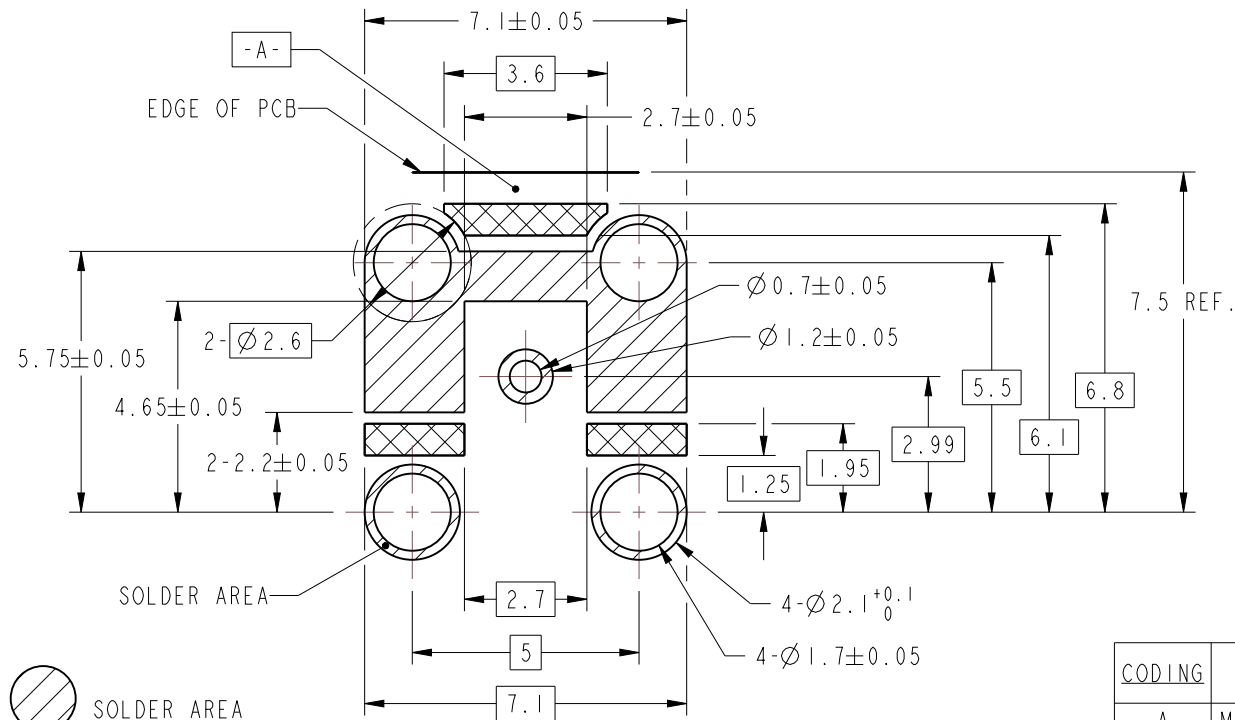
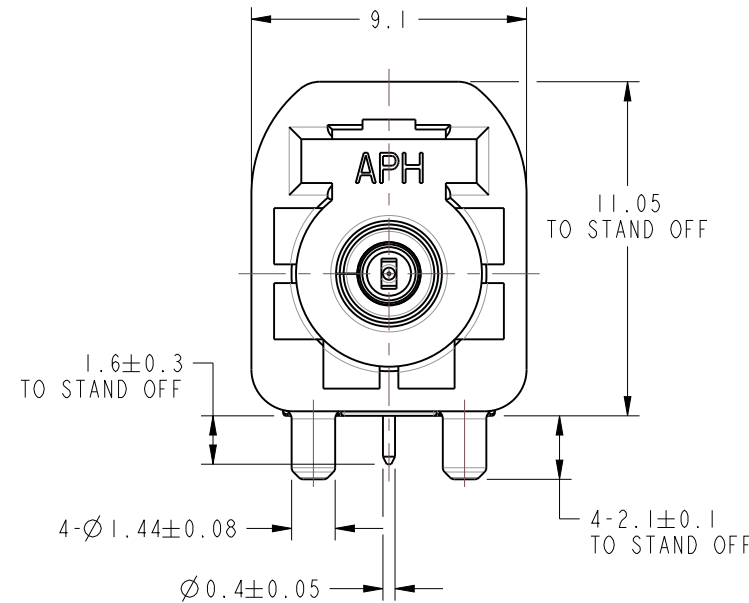
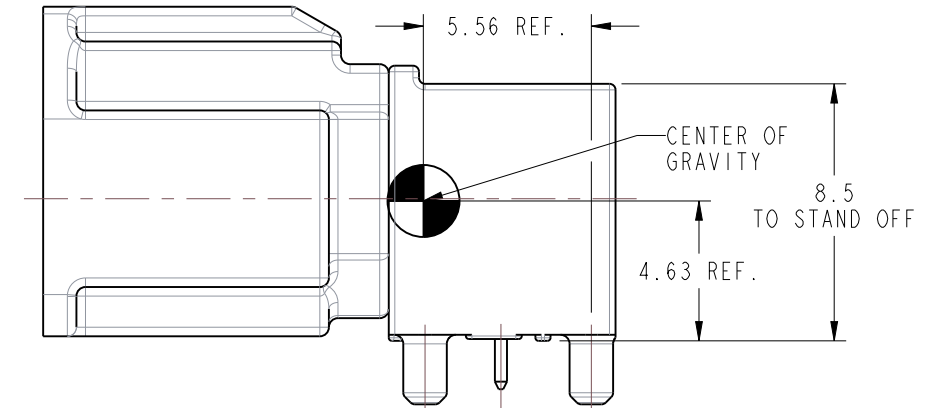
- NOTES:
- MATERIALS AND FINISHES(PLATING THICKNESS IN MICRO-INCHES):  
 MAIN BODY - ZINC ALLOY, MATTE TIN PLATED  
 INNER BODY - BRASS, MATTE TIN PLATED  
 CONTACT PIN - COPPER NICKEL ALLOY, GOLD PLATED 30 MIN. THICK AT MATING AREA, MATTE TIN PLATED AT SOLDER AREA  
 INSULATOR - LCP, NATURAL  
 HOUSING - PA4T, SEE TABLE BELOW FOR KEY CODES & COLORS
  - ELECTRICAL:  
 A. IMPEDANCE: 50 OHM, NOMINAL  
 B. FREQUENCY RANGE: DC- 9 GHz  
 C. VSWR(RETURN LOSS): 1.12 (-25dB) MAX. @ DC TO 3 GHz  
 1.22 (-20dB) MAX. @ 3 GHz TO 6 GHz  
 1.67 (-12dB) MAX. @ 6 GHz TO 9 GHz  
 D. DIELECTRIC WITHSTANDING VOLTAGE: 800 VRMS, MIN.
  - MECHANICAL:  
 A. \*DURABILITY: 25 CYCLES MIN.  
 B. \*TEMPERATURE RANGE: -40° C TO +105° C  
 C. \*LATCH RETENTION FORCE: 110N MIN.
  - PACKAGING:  
 A. PACKAGE IN TAPE AND REEL  
 B. QUANTITY: TBD
  - PENDING USCAR-49 CERTIFICATION, A '\*' BEFORE A SPEC INDICATES USCAR TESTING HAS NOT BEEN COMPLETED FOR THAT SPEC

**CONFIGURATION CONTROL:**  
**NO CHANGES PERMITTED TO DRAWING WITHOUT**  
**PPAP QUALIFIED CUSTOMER APPROVAL**

REVISIONS				
REV	DESCRIPTION	DATE	ECN	BY
A	RELEASE TO MFG.	14-Nov-22	16478	CR

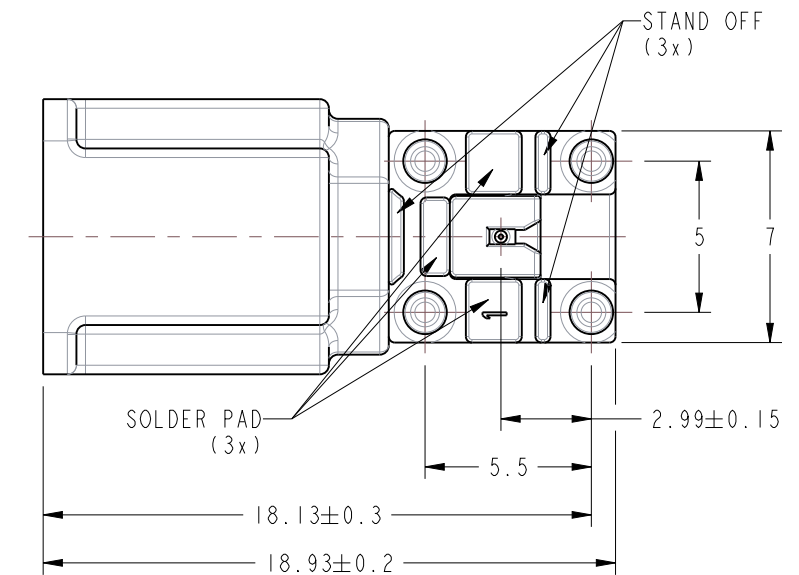


SCALE 2.000



- SOLDER AREA
- STAND OFF AREA, FREE OF SOLDER

SCALE 3.000  
 RECOMMENDED MOUNTING HOLE DIMENSIONS  
 ALL DRILL HOLES  $\text{⊕} \text{⌀} 0.05 \text{Ⓜ} \text{A} (5x)$



CODING	DRAWING NO.	PART NO.	COLOR OF HOUSING	RAL NO.
A	MFKI252AW-001-TL30G-50	FMI-NARP-PCB-1	JET BLACK	9005
B	MFKI252BW-001-TL30G-50	FMI-NBRP-PCB-1	CREAM WHITE	9001
C	MFKI252CW-001-TL30G-50	FMI-NCRP-PCB-1	SIGNAL BLUE	5005
D	MFKI252DW-001-TL30G-50	FMI-NDRP-PCB-1	CLARET VIOLET	4004
E	MFKI252EW-001-TL30G-50	FMI-NERP-PCB-1	LEAF GREEN	6002
F	MFKI252FW-001-TL30G-50	FMI-NFRP-PCB-1	NUT BROWN	8011
G	MFKI252GW-001-TL30G-50	FMI-NGRP-PCB-1	BLUE GREY	7031
H	MFKI252HW-001-TL30G-50	FMI-NHRP-PCB-1	HEATHER VIOLET	4003
J	MFKI252JW-001-TL30G-50	FMI-NJRP-PCB-1	BEIGE	1001
K	MFKI252KW-001-TL30G-50	FMI-NKRP-PCB-1	CURRY	1027
N	MFKI252NW-001-TL30G-50	FMI-NNRP-PCB-1	PASTEL GREEN	6019
Z	MFKI252ZW-001-TL30G-50	FMI-NZRP-PCB-1	WATER BLUE	5021

**CUSTOMER OUTLINE DRAWING**  
 ALL OTHER SHEETS ARE FOR INTERNAL USE ONLY

NOTICE: These drawings, specifications, or other data (1) are, and remain the property of Amphenol corp. (2) must be returned upon request; and (3) are confidential and not to be disclosed to any person other than those to whom they are given by Amphenol Corp. The furnishing of these drawings, specifications, or other data by Amphenol Corp., or to any other person to anyone for any purpose is not to be regarded by implication or otherwise in any manner licensing, granting rights to permitting such holder or any other person to manufacture, use or sell any product, process or design, patented or otherwise, that may in any way be related to or disclosed by said drawings, specifications, or other data.

UNLESS OTHERWISE SPECIFIED  
 DIMENSIONS ARE METRIC (INCHES) AND TOLERANCES ARE:  
 <0.5mm = ±0.05mm [ $\pm 0.020 = \pm 0.002$ ]  
 0.5 - 6mm = ±0.1mm [ $\pm 0.020 - 0.236 = \pm 0.004$ ]  
 >6.00 - 30mm = ±0.2mm [ $\pm 0.236 - 1.181 = \pm 0.008$ ]  
 >30.00 - 120mm = ±0.3mm [ $\pm 1.181 - 4.725 = \pm 0.012$ ]

MATERIAL  
 ENGR.1 TANGOR. DENG ENGR.2 DATE 18-DEC-19

TITLE  
 MINI FAKRA R/A PCB  
 MOUNT PLUG, TYPE A,  
 1 PORT

Amphenol RF  
 SIZE B DRAWING NO. MFK1252XX-001-TL30G-50 REV A  
 ITEM NO. MK1252AAX00WU5F  
 PART NO. FM1-NXRP-PCB-1

THIRD ANGLE PROJ.

REFERENCE EAR# 7949

ANGLES = ±1°

SHEET NO. 2 OF 2 SCALE: 4.0:1.0

SCALE: 4.0:1.0

SCALE: 4.0:1.0

# Mouser Electronics

Authorized Distributor

Click to View Pricing, Inventory, Delivery & Lifecycle Information:

[Amphenol:](#)

[FM1-NARP-PCB-1](#) [FM1-NBRP-PCB-1](#) [FM1-NZRP-PCB-1](#)