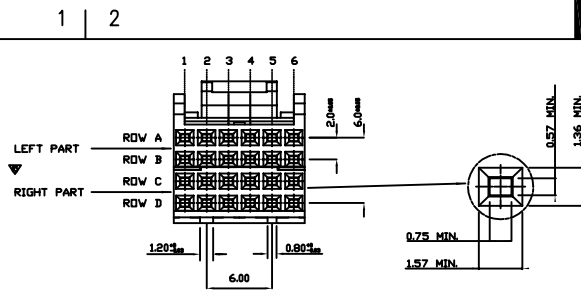


Tous droits strictement reserves. Reproduction ou communication a des tiers interdite sous quelque forme que ce soit sans autorisation ecrite du proprietaire. Propriete de c FCI. Droits de reproduction FCI.



All rights strictly reserved. Reproduction or issue to third parties in any form whatever is not permitted without written authority from the proprietor. Property of FCI. Copyright FCI.

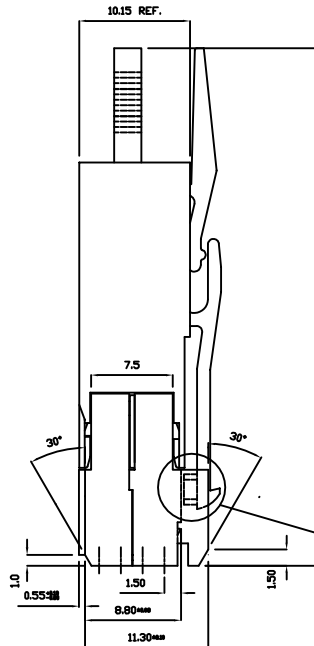
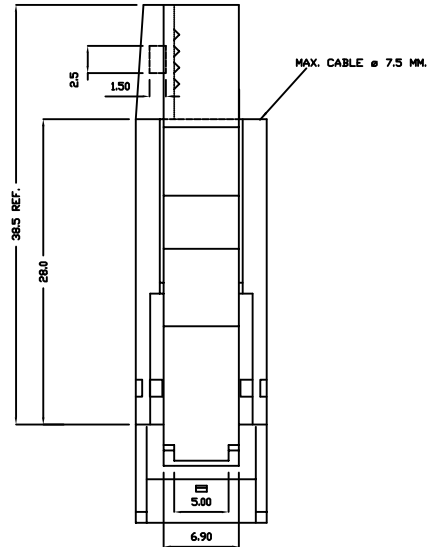
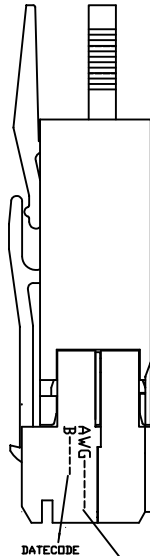


FOR SELECT LOAD P/N:

PRODUCT NR:	ROW#	CONFIGURATION					
		1	2	3	4	5	6
HM1C01D0C070--LF	D	-	X	-	X	-	X
	C	X	-	X	-	X	-
	B	-	X	X	X	X	X
	A	X	X	X	X	X	X

"-" POSITION NOT LOADED
"X" POSITION LOADED

CONNECTOR MARKING



PERFORMANCE CHARACTERISTICS:

VOLTAGE RATING : 250 VAC.
CURRENT RATING : 1.0 A AT 70°C.
INSULATION RESISTANCE : 10⁹ MΩ MIN AFTER TEST.
DIELECTRIC WITHSTANDING VOLTAGE : 1000 V.
CONTACT RESISTANCE : 20 mΩ MAX. AFTER TEST.
OPERATING T : -55°C TO +125°C.
INSERTION FORCE : 0.94 N MAX. PER CONTACT.
WITHDRAWAL FORCE : 0.20 N MIN. PER CONTACT.

MATERIALS:

TERMINAL BLOCK : GLASS REINFORCED THERMOPLASTIC UL94-V0.
COVER : POLYAMIDE-NYLON.
LOCKING KEY : POLYAMIDE-NYLON.
CONTACTS : PHOSPHOR BRONZE.
PLATING : --N9 : 0.75 μ AU MIN. OVER NI IN CONTACT AREA;
PURE Sn ON IDC-TERMINAL.

WIRE CHARACTERISTICS:

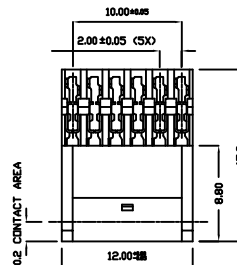
INSULATION DIAMETER 0.75 MM MAX.

PART NUMBERS:

HM1C01D0-010--LF CONNECTOR FOR WIRE SIZE AWG28,AWG30 WITHOUT RETENTION RIBS ON INSULATION PLATE AND HOOD
HM1C01D2-010--LF CONNECTOR FOR WIRE SIZE AWG26 WITHOUT RETENTION RIBS ON INSULATION PLATE AND HOOD
HM1C01D0-070--LF CONNECTOR FOR WIRE SIZE AWG28,AWG30 WITHOUT RETENTION RIBS ON INSULATION PLATE AND HOOD

PILLOW COMPRESSED.
PLASTIC EDGE STOPS
COMPRESSING THE PILLOW
AT POINT GIVES MAX
COMPRESSION 0.4mm.

PARTNUMBER	WIRE SIZE MARKING	LOADING
HM1C01D0C010--LF	AWG28/30	FULL
HM1C01D2C010--LF	AWG26	FULL
HM1C01D0C070--LF	AWG28/30	SELECT



NOTES:

- THIS PRODUCT WITH "LF" SUFFIX MEETS EUROPEAN UNION DIRECTIVES AND OTHER COUNTRY REGULATIONS AS DESCRIBED IN GS -22-008.
- THE PRODUCT IS NOT INTENDED TO BE EXPOSED TO A MANUFACTURING SOLDER PROCESS.

CONFIDENTIAL

mat'l. code		tolerances unless otherwise specified		CUSTOMER COPY		FCI	
ltr	ecn no	dr	date	linear	.X ±0.2	projection	title
A	D604-0034	CLu	05/26/04	linear	.XX ±0.1		4X6 POS. HM1 CABLE CONNECTOR WITH STR. CABLE EXIT HOOD & SUPPORT PILLOW
B	D605-0420	CLu	10/27/05	linear	.XXX ±		
C	D609-0051	Cenh	02/25/09	angles	0° ±1°		product family HM1 code size/dwg no sheet 1 of 1
				dr	COLLINS LU 05/25/04	MM	
				enrg	COLLINS LU 05/25/04	scale	
				chr	COLLINS LU 05/25/04	1.5:1	
				appd	DAVID SU 05/26/04		
sheet index	revision sheet	C	1				

cage code

22526

ACAD

PDM: Rev:C

STATUS: Released

Printed: Jul 28, 2010

Mouser Electronics

Authorized Distributor

Click to View Pricing, Inventory, Delivery & Lifecycle Information:

[FCI / Amphenol:](#)

[HM1C01D2C010N9](#)