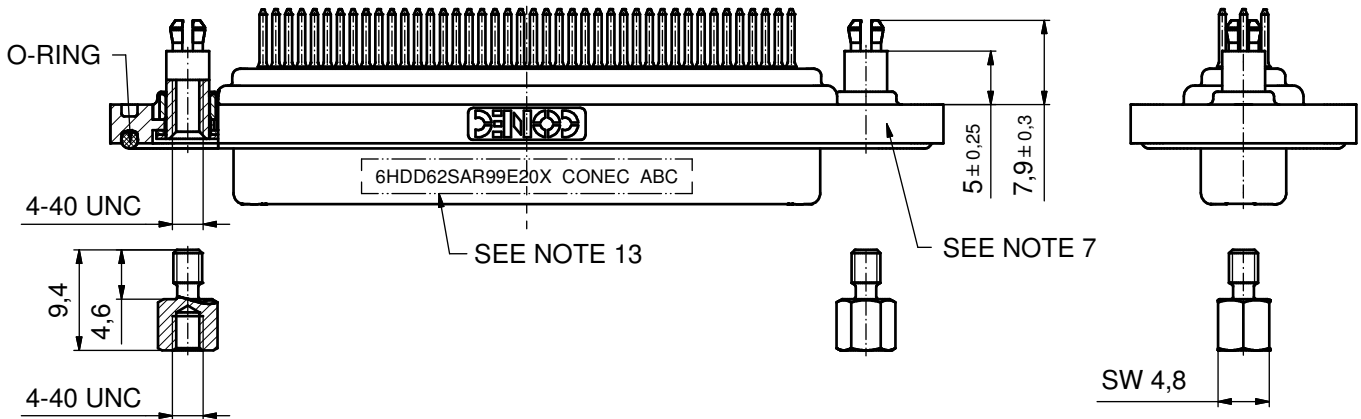
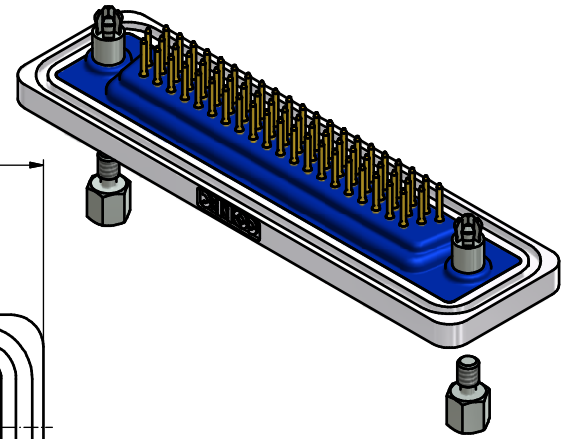
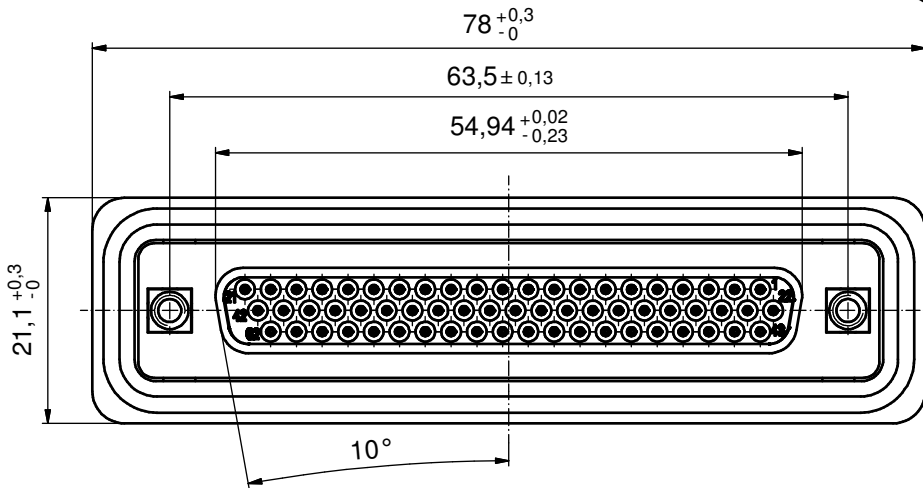
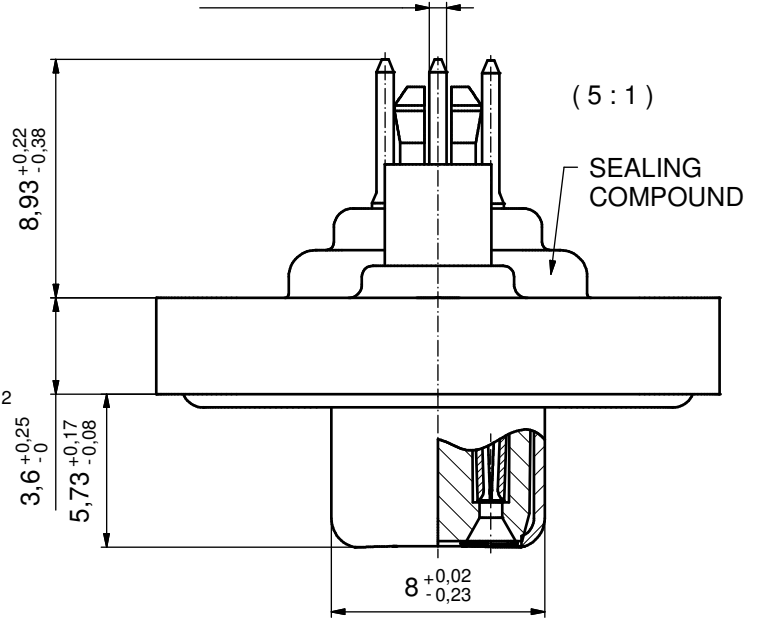


**NOTES:**

1. FOR WAVESOLDERING (SOLDER BATH TEMPERATURE 240°C FOR 5 SEC. AND SOLDER PREHEAT 120°C FOR 120 SEC.)
2. METALSHELLS: COPPER ALLOY; min. 315µin TIN over 40-80µin NICKEL
3. INSULATORS: PBT GF UL 94 V-0, BLACK
4. CONTACTS: COPPER ALLOY  
PLATING: GOLD FLASH over NICKEL
5. THREADED SPACER CLIPS: COPPER ALLOY;  
min. 200µin TIN over 80µin NICKEL  
PCB-HOLE: Ø3,1±0,1; THICKNESS 1,6mm
6. COLLARS: COPPER ALLOY; min. 200µin TIN over 80µin NICKEL
7. FRAME: ZINC DIE CAST; NICKEL PLATED
8. HEXLOCKING SCREW: STAINLESS STEEL
9. O-RING: SILICON; BLUE
10. SEALING COMPOUND: PUR; BLUE
11. P.C.B. HOLE DRILLINGS AND RECOMMENDED PANEL CUT-OUT ON SHEET 2
12. RECOMMENDED TORQUE FOR MOUNTING SCREW 35Ncm (3,1 in.LB)  
/ max. 40Ncm (3,5 in. LB)
13. CONNECTOR IS PART MARKED: 6HDD62SAR99E20X CONEC ABC

AT ALL TIMES WATER RESISTANT CONNECTORS NOT IN USE SHOULD BE COVERED WITH A CONEC WATER RESISTANT CAP OR WATER TIGHT HOOD.

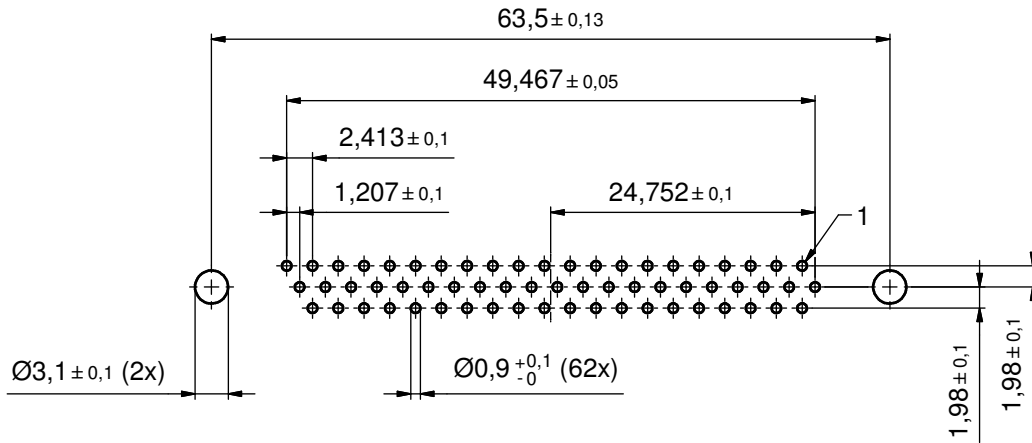
Ø0,65±0,05 (62x)



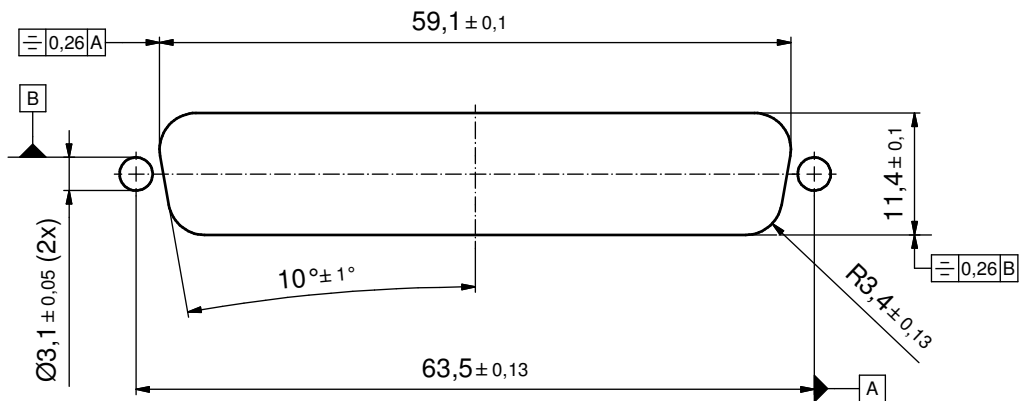
THIS DRAWING MAY NOT BE COPIED OR REPRODUCED IN ANY WAY, AND MAY NOT BE PASSED ON TO A THIRD PARTY WITHOUT WRITTEN PERMISSION. OWNERSHIP AND COPYRIGHT OF CONEC GmbH DO NOT ALTER CAD DRAWING BY HAND	tolerance		dim. in mm	scale: 2:1		
				material: SEE NOTES		
	drawn	02.01.12	Henneboel		title: D-SUB HD FEMALE 62pos. SOLDER PIN STRAIGHT with threaded spacer clip and hexlocking screw	
	appd.	03.01.12	Fischer			
	norm					
rev.	a	Original			dwg no: 15K1A987	DIN-A3
description					part no: 6HDD62SAR99E20X	sh: 1

Directive 2002/95/EC RoHS compliant

P.C.B. HOLE DRILLINGS  
(P.C.B. TOP SIDE)



RECOMMENDED PANEL CUT-OUT



THIS DRAWING MAY NOT BE COPIED OR REPRODUCED IN ANY WAY, AND MAY NOT BE PASSED ON TO A THIRD PARTY WITHOUT WRITTEN PERMISSION. OWNERSHIP AND COPYRIGHT OF CONEC GmbH DO NOT ALTER CAD DRAWING BY HAND				tolerance		scale: 2:1
				dim. in mm		material: see sheet 1
	drawn	02.01.12	Henneboel	title:		
	appd.	03.01.12	Fischer	P.C.B. HOLE DRILLINGS		
	norm			D-SUB HD FEMALE 62pos. SOLDER PIN		
d-old			with threaded spacer clip and hexlocking screw			
rev.	a	Original	<b>CONEC</b> <sup>®</sup>			dwg no:
description						15K1A987
date			part no: SEE SHEET 1			DIN-A3
name						sh: 2

# Mouser Electronics

Authorized Distributor

Click to View Pricing, Inventory, Delivery & Lifecycle Information:

[Amphenol:](#)

[6HDD62SAR99E20X](#)