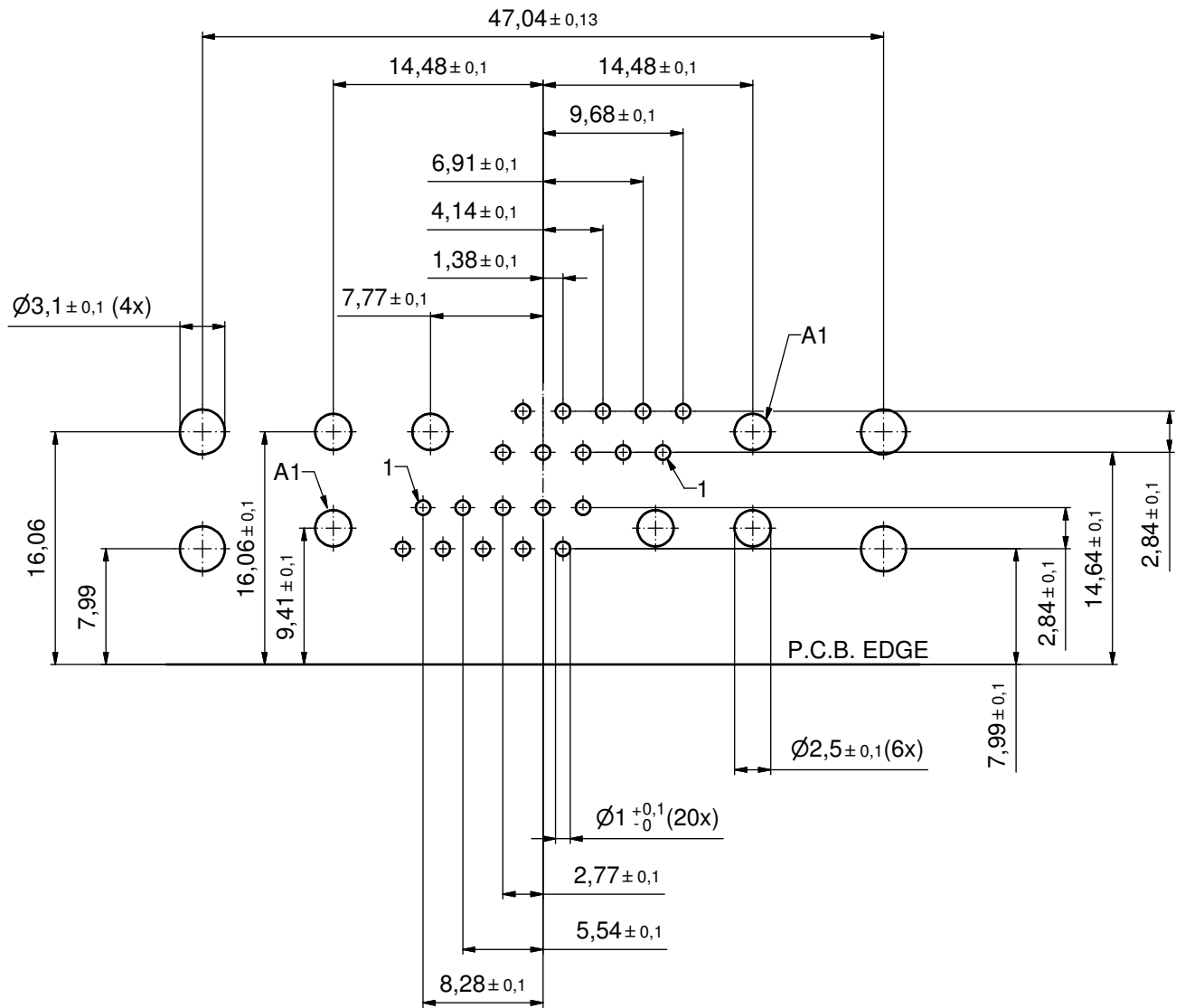


**NOTES:**

1. METALSHELLS: STEEL; min. 315µin TIN over 40-80µin NICKEL
2. INSULATORS: PBT GF UL 94 V-0, GREEN
3. HIGH POWER CONTACTS 20A: COPPER ALLOY  
PLATING, MATING AREA: GOLD FLASH over NICKEL  
PLATING, TERMINATION SIDE: 160-240µin TIN over 80µin NICKEL
4. SIGNAL CONTACTS: COPPER ALLOY  
PLATING: GOLD FLASH over NICKEL
5. METAL BRACKETS: ZINC DIE CAST; 300µin COPPER/40-120µin NICKEL/120-200µin TIN
6. THREADED INSERTS: COPPER ALLOY; min. 200µin TIN over 80µin NICKEL
7. FIXING-PLATES: PBT GF UL 94 V-0, BLACK
8. P.C.B. HOLE DRILLINGS ON SHEET 2
9. MAXIMUM TORQUE VALUE FOR THREAD: 6 in.LB
10. CONNECTOR IS PART MARKED: 13-001133 CONEC ABC

Directive 2002/95/EC RoHS compliant

THIS DRAWING MAY NOT BE COPIED OR REPRODUCED IN ANY WAY, AND MAY NOT BE PASSED ON TO A THIRD PARTY WITHOUT WRITTEN PERMISSION. OWNERSHIP AND COPYRIGHT OF CONEC GmbH				tolerance		dim. in mm	scale: 2:1 (5:1)	
							material: see notes	
DO NOT ALTER CAD DRAWING BY HAND				date	name	title: D-SUB COM. DUAL PORT 19,05mm / Female 13W3S reverse / Female 13W3S with threaded insert, metal bracket, snap		
				drawn	01.07.13			
a Original				appd.	01.07.13	Koch	dwg no:	
								13K1A4364
rev. description date name				norm		part no:		sh: 1/2
								13-001133
				CONEC®				



THIS DRAWING MAY NOT BE COPIED OR REPRODUCED IN ANY WAY, AND MAY NOT BE PASSED ON TO A THIRD PARTY WITHOUT WRITTEN PERMISSION. OWNERSHIP AND COPYRIGHT OF CONEC GmbH DO NOT ALTER CAD DRAWING BY HAND				tolerance		scale: 2:1
					dim. in mm	material: see sheet 1
				date	name	title: P.C.B. HOLE DRILLINGS D-SUB Combination Dual Port 19,05mm Female 13W3S reverse / Female 13W3S
				drawn 01.07.13	Henneboel	
				appd. 01.07.13	Koch	
			norm		dwg no:	DIN-A3
			d-old		13K1A4364	sh: 2/2
	a	Original				
	rev.	description	date	name	<b>CONEC</b> <sup>®</sup>	part no: 13-001133

# Mouser Electronics

Authorized Distributor

Click to View Pricing, Inventory, Delivery & Lifecycle Information:

[Amphenol:](#)

[13-001133](#)