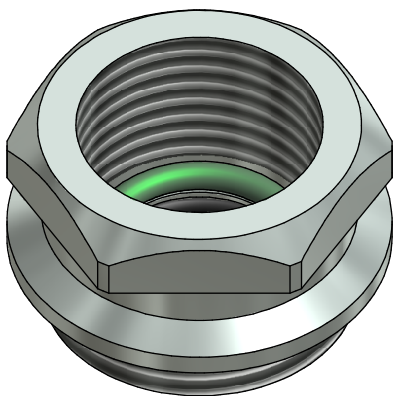
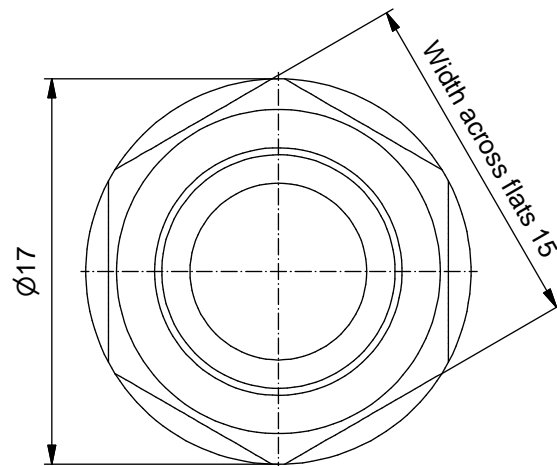
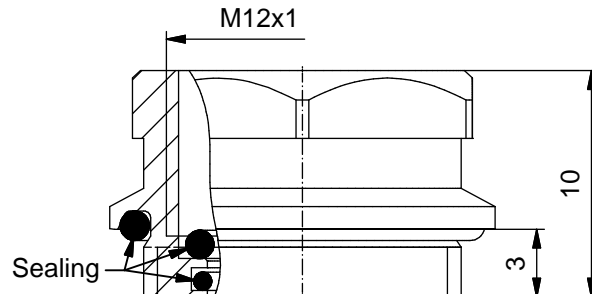
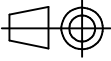



**Materials:**

Material housing: CuZn  
 Plating housing: Nickel gal.  
 Sealing: FKM



DO NOT ALTER CAD DRAWING BY HAND Directive 2002/95/EC RoHS compliant	 dim. in mm		title: <b>Housing female M14x1                  H9</b>						
		<table border="1"> <tr> <th>date</th> <th>name</th> </tr> <tr> <td>drawn 24.01.13</td> <td>Kniesburgers</td> </tr> <tr> <td>appd. 24.01.13</td> <td>Mankopf</td> </tr> </table>		date	name	drawn 24.01.13	Kniesburgers	appd. 24.01.13	Mankopf
	date	name							
	drawn 24.01.13	Kniesburgers							
appd. 24.01.13	Mankopf								
general tolerance: 0 ± 0,50mm 0,0 ± 0,25mm 0,00 ± 0,10mm			part no: <b>43-02129</b>						
THIS DRAWING MAY NOT BE COPIED OR REPRODUCED IN ANY WAY, AND MAY NOT BE PASSED ON TO A THIRD PARTY WITHOUT WRITTEN PERMISSION. OWNERSHIP AND COPYRIGHT OF CONEC GmbH									

# Mouser Electronics

Authorized Distributor

Click to View Pricing, Inventory, Delivery & Lifecycle Information:

[Amphenol:](#)

[43-02129](#)