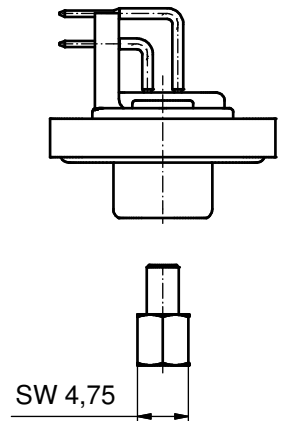
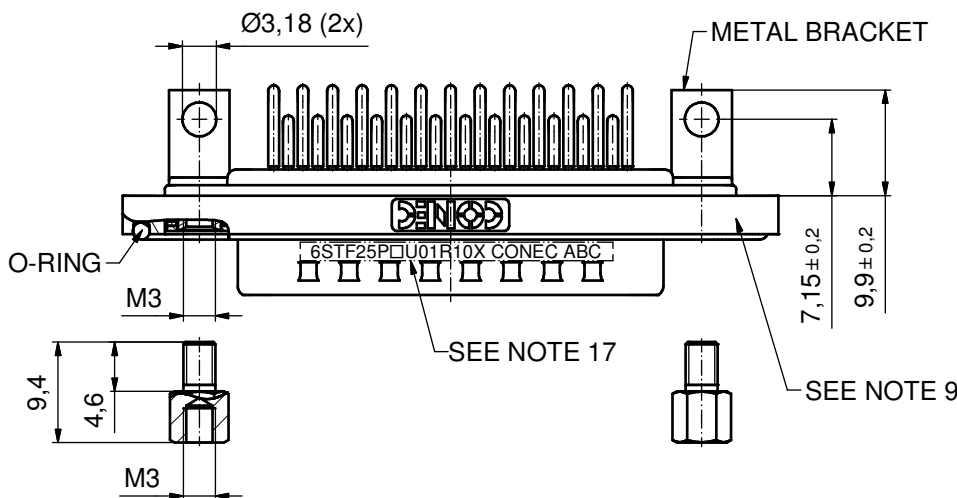
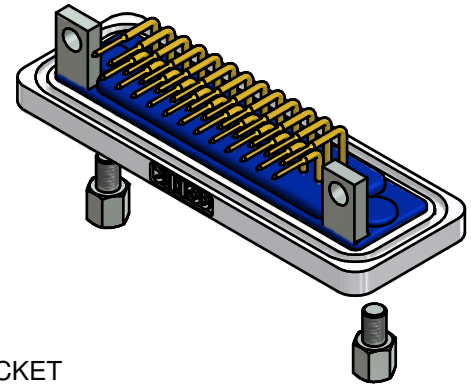
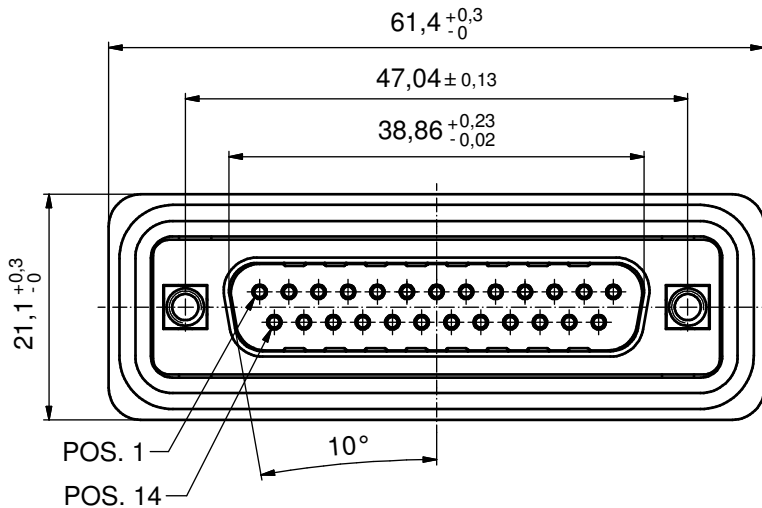
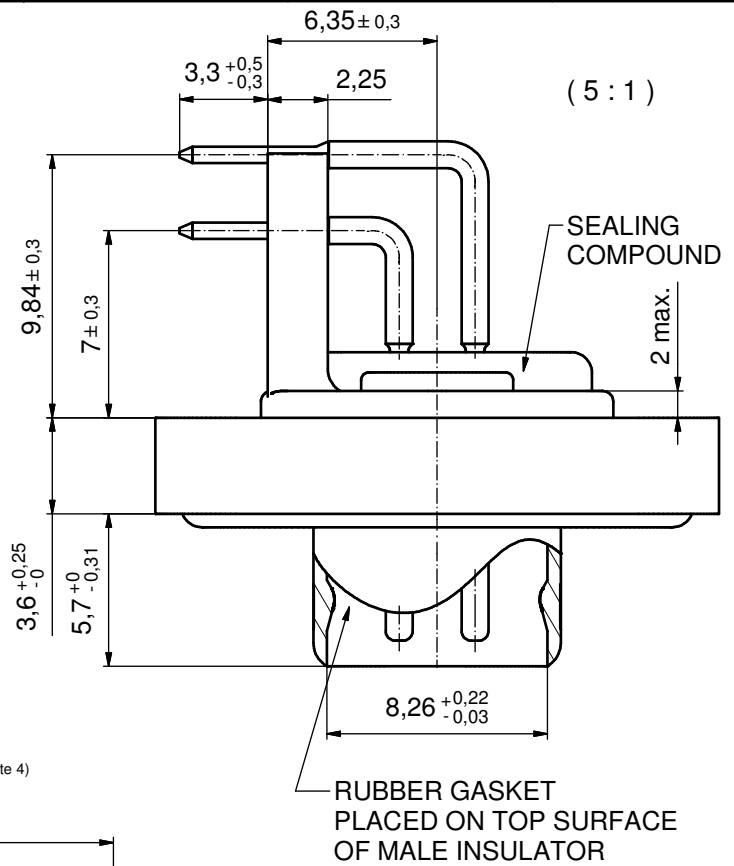


NOTES:

- FOR WAVESOLDERING (SOLDER BATH TEMPERATURE 240°C FOR 5 SEC. AND SOLDER PREHEAT 100°C FOR 30 SEC.)
- METALSHELLS: COPPER ALLOY; min. 315µin TIN over 40-80µin NICKEL
- INSULATOR: HIGH TEMPERATURE PLASTIK UL 94 V-0, BLACK
- CONTACTS: COPPER ALLOY; PLATING (SEE PART NO.):
 PLEASE ADD A for GOLD FLASH over NICKEL (PREFERRED TYPE)
 PLEASE ADD B for 20µin HARD GOLD over min. 50µin NICKEL
 PLEASE ADD C for 30µin HARD GOLD over min. 50µin NICKEL
- METAL BRACKETS: ZINC DIE CAST;
 300µin COPPER/ 40-120µin NICKEL/120-200µin TIN
- THREADED INSERTS: COPPER ALLOY;
 min. 200µin TIN over 80µin NICKEL
- COLLARS: COPPER ALLOY; NICKEL PLATED
- HEXLOCKING SCREWS: STAINLESS STEEL
- FRAME: ZINC DIE CAST; NICKEL PLATED
- O-RING: SILICON; BLUE
- RUBBER GASKET: TPE; BLACK
- SEALING COMPOUND: PUR; BLUE
- CAPACITANCE: 180pF±20%
- DIELECTRIC WITHSTANDING VOLTAGE: 424VDC
- P.C.B. HOLE DRILLINGS AND RECOMMENDED PANEL CUT-OUT ON SHEET 2
- RECOMMENDED TORQUE FOR MOUNTING SCREW 35N cm (3.1 in.LB) / max. 40N cm (3.5 in.LB)
- CONNECTOR IS PART MARKED: 6STF25P□U01R10X CONEC ABC (see note 4)

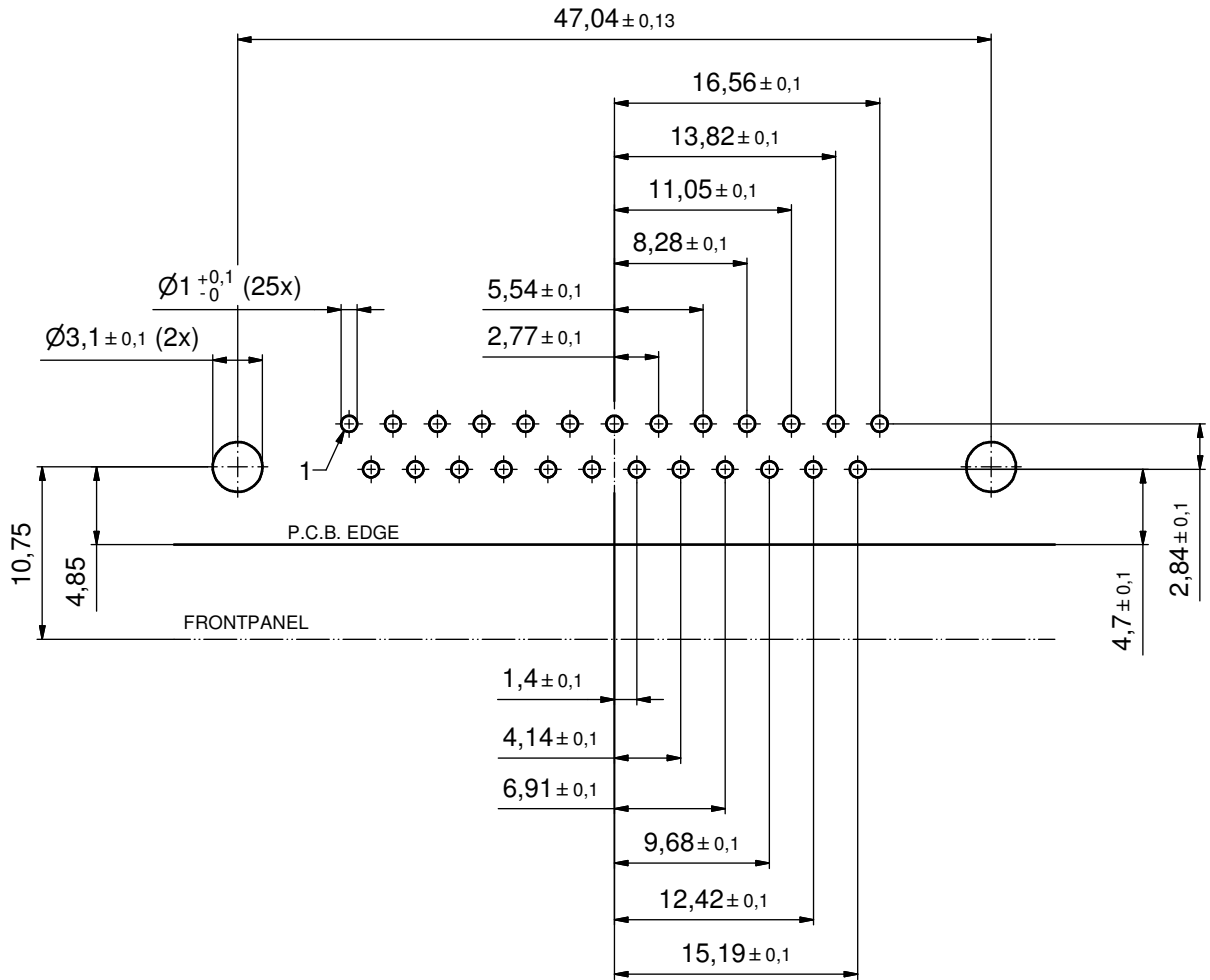


FILTER IS TOTALLY GUARDED AGAINST HUMIDITY. WATER COULD PENETRATE INTO THE MATING AREA. AT ALL TIMES WATER RESISTANT CONNECTORS NOT IN USE SHOULD BE COVERED WITH A CONEC WATER RESISTANT CAP OR WATER TIGHT HOOD.

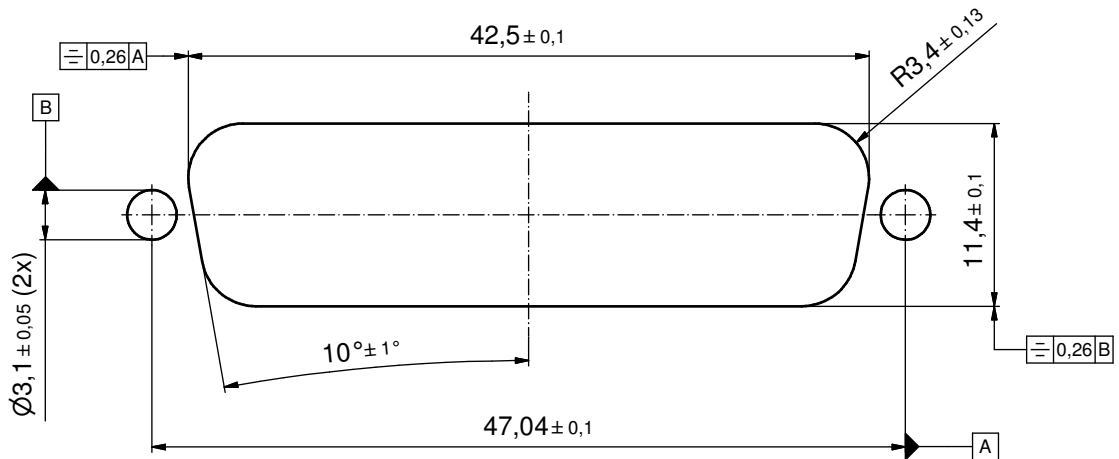
RoHS compliant

THIS DRAWING MAY NOT BE COPIED OR REPRODUCED IN ANY WAY, AND MAY NOT BE PASSED ON TO A THIRD PARTY WITHOUT WRITTEN PERMISSION. OWNERSHIP AND COPYRIGHT OF CONEC GmbH		DO NOT ALTER CAD DRAWING BY HAND		tolerance		scale:	2:1 (5:1)
				dim. in mm		material:	SEE NOTES
		date	name	drawn	09.12.14	title:	
				appd.	09.12.14	D-SUB C-FILTER MALE 90°	
				norm		25pos. SOLDER PIN ANGLED	
				d-old		with threaded insert, metal bracket and hex bolt	
						dwg no:	DIN-A3
		a	Original			15K1A1587	
rev.	description	date	name			part no: 6STF25P□U01R10X (see note 4)	

P.C.B. HOLE DRILLINGS
(P.C.B. TOP SIDE)



RECOMMENDED PANEL CUT-OUT



THIS DRAWING MAY NOT BE COPIED OR REPRODUCED IN ANY WAY, AND MAY NOT BE PASSED ON TO A THIRD PARTY WITHOUT WRITTEN PERMISSION. OWNERSHIP AND COPYRIGHT OF CONEC GmbH DO NOT ALTER CAD DRAWING BY HAND				tolerance		scale: 3:1
				dim. in mm		material: see sheet 1
	drawn	09.12.14	Henneboel	title:		
	appd.	09.12.14	Lehmenkühler	P.C.B. HOLE DRILLINGS		
	norm			RECOMMENDED PANEL CUT-OUT		
d-old			D-SUB C-FILTER MALE 90° 25pos. SOLDER PIN ANGLED			
rev.	a	Original	CONEC [®]			dwg no:
description						15K1A1587
date			part no: SEE SHEET 1			DIN-A3
name						sh: 2/2

Mouser Electronics

Authorized Distributor

Click to View Pricing, Inventory, Delivery & Lifecycle Information:

[Amphenol:](#)

[6STF25PAU01R10X](#)