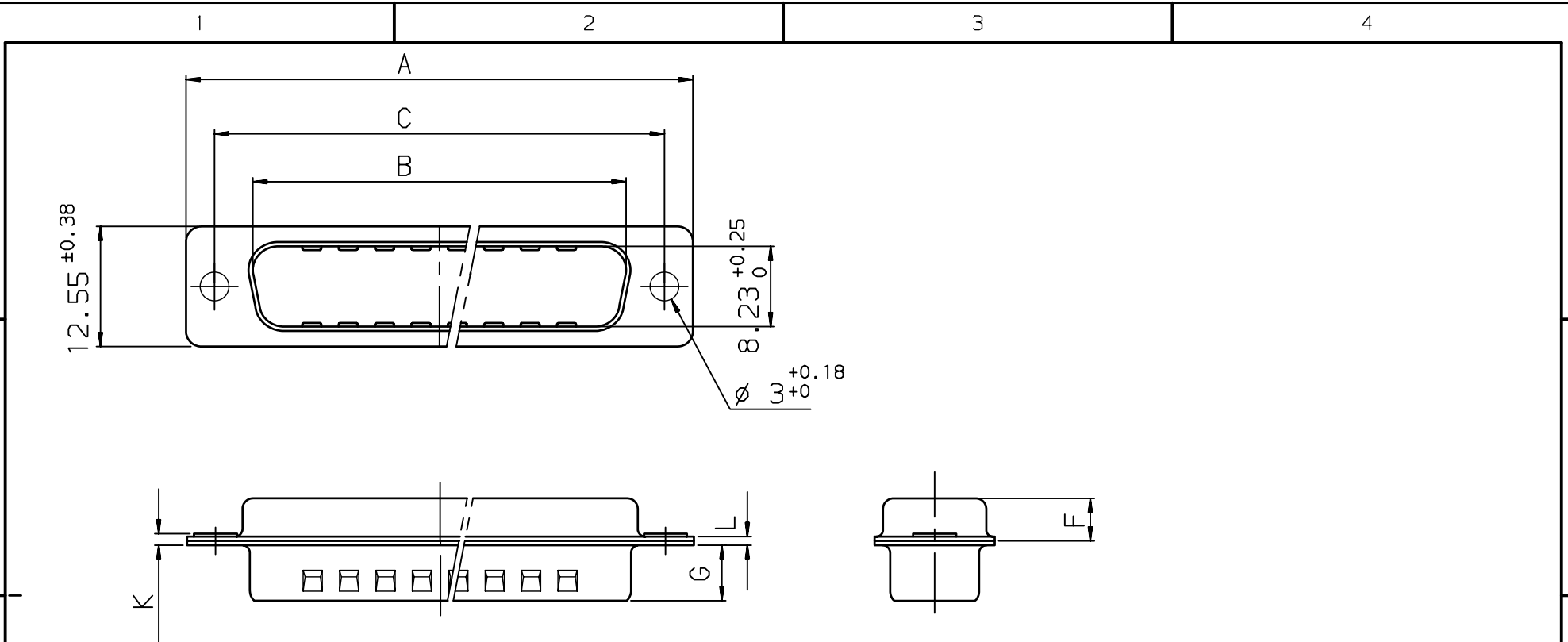


Copyright FCI. FCI



Shell size	Number of contacts	A ^{+0.76} ₀	B ^{+0.25} ₀	C ^{+0.12}	F ^{+0.13} _{-0.03}	G	K _{max}	L ^{+0.22} ₀	Part number
E	09	30.43	16.79	24.99	4.36	5.90 ^{+0.15} ₀	1.50	0.80	86553113
A	15	38.76	25.12	33.32	4.36	5.90 ^{+0.15} ₀	1.50	0.80	86553114
B	25	52.65	38.84	47.04	4.36	5.70 ^{+0.25} ₀	1.50	0.80	86553115
C	37	68.94	55.30	63.50	4.36	5.70 ^{+0.25} ₀	1.50	1.00	86553116

cadmium plated

www.fciconnect.com		surface ISO 1302 ✓	tolerance std ISO 406 ISO 1101	projection A3	mm
TOLERANCES UNLESS OTHERWISE SPECIFIED					
ANGULAR	LINEAR	0.X	±0.1	size A3	Scale 3
0.XX' ±2'		0.XX	±0.1	ECN LS09-0006	Spec ref -
0.XXX		0.XXX	±0.1	Product family D-SUB	
Dr	JOUBERT	2000/09/03			
Eng	JOUBERT	2000/09/03			
Chr	P.LEGARE	-			
Appr	P.LEGARE	-			
FCI	PINS METRAL CAPS		dwg no	C01-8655-1534	
	PACKAGING 100 PIECES		Rev.	D	
catalog no	-		CUSTOMER	sheet 1 of 1	

rev	ecn no	dr	date
A	-	SJO	2000/09/03
B	LS06-0101	MPE	2006/06/19
C	LS07-0135	MPE	2007/05/11
D	LS09-0006	PCR	2009/01/08
-	-	-	-
-	-	-	-
-	-	-	-

REV F - 2006-04-17

Mouser Electronics

Authorized Distributor

Click to View Pricing, Inventory, Delivery & Lifecycle Information:

[Amphenol:](#)

[86553113](#) [86553114](#)