

REFERENCE SPECIFICATIONS

-NFC 93425 (in compliance with HE 507)

PHYSICAL CHARACTERISTICS

-INSULATOR MATERIAL: THERMOPLASTIC UL94V0

-CONTACT MATERIAL: BRASS

-ACCESSORIES: BRASS

-SHELLS: STEEL

ELECTRICAL CHARACTERISTICS

-NOMINAL CURRENT: 7.5A

-CONTACT RESISTANCE: <= 7.3 m ohms

-CONTACT/CONTACT : >=1000 V

-CONTACT/GROUND : >=1200 V

-INSULATION RESISTANCE: >=5000 MOhms

ENVIRONMENTAL CHARACTERISTICS

- CLIMATIC CATEGORY: 55/125/21

TEMPERATURE RANGE -55°C TO +125°C

DAMP HEAT STEADY STATE 21 DAYS

SALT SPRAY 24 HOURS

MECHANICAL CHARACTERISTICS

RETENTION AGAINST TORQUE: - Threaded insert: 0.7 N.m Maximum

- Female screw : 0.5 N.m Maximum

NOTE RoHS INFORMATION

- The "LF" products meet european union Directives and other country regulations as described in GS-47-0004.

- Termination plating spec:

Ni + Gold/GxT

- Active area plating spec:

Ni + Gold/GxT

- Shell plating : 2 to 4µm Cu + Ni + 3 to 10µmm Sn,pure bright

- Accessories: Sn pure bright + nickel

- Packaging spec: See GS-14-920

DBL13W3P043A00LF

Series

Shell size: **E A B C D**
see sheet 3

Front accessory definition
see sheet 2

- Blank** :without accessory
- L** :threaded insert M3
- O** :threaded insert UNC 4-40

Layout of contacts (see sheet 3)

Contacts

- P** :Pin

Plating

- Blank** signal solder bucket 200 matings/unmatings
- 043** signal solder bucket 500 matings/unmatings

PCB accessory definition

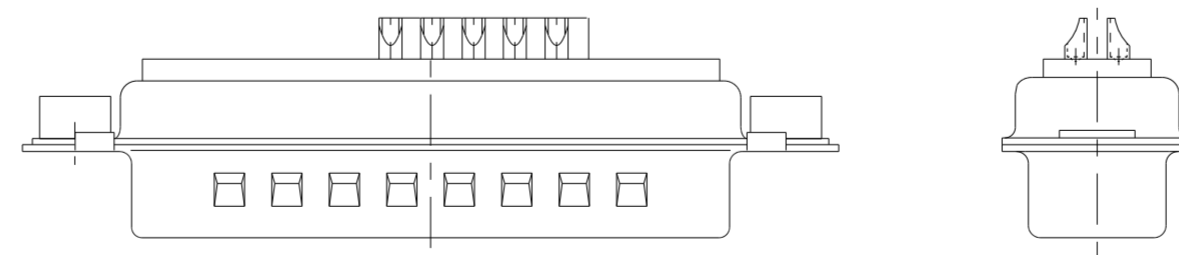
- A** without accessory on PCB

Power contacts

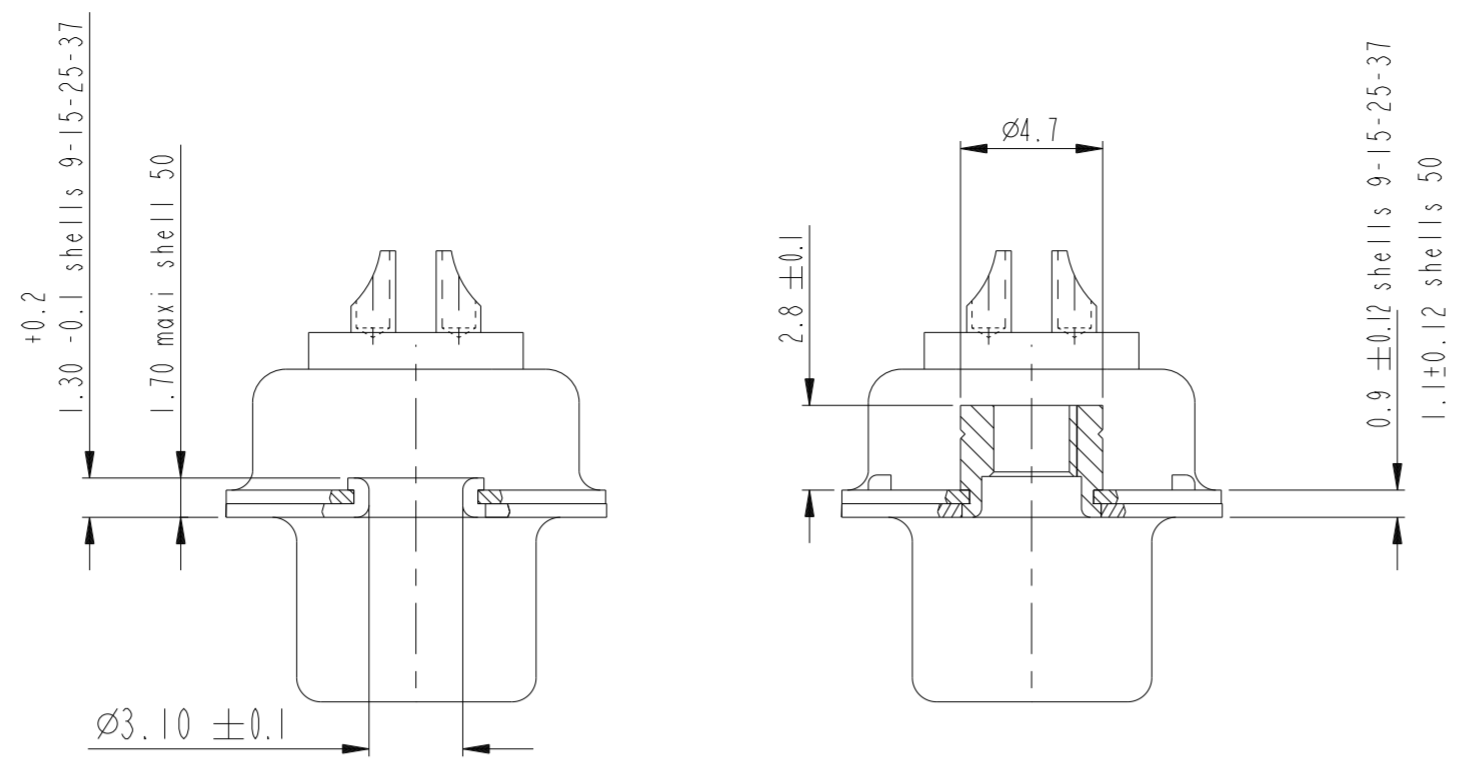
- 00** without power contact

See note RoHS

I3W3 FOR EXAMPLE



spec ref	dr	1, Product Eng	2015/06/13	projection	MM	size	A2	scale	3:1
tolerance std	eng	Paul Mithun	2019/02/20			ecn no	ELX-432325-2	rel level	Released
ISO 1101	chr	-							
TOLERANCES UNLESS OTHERWISE SPECIFIED									
surface	linear	0.X	±0.3		SUB MALE DW	cat. no.	-	Product - Customer Drw	sheet 1 of 7
		0.XX	±0.1						
		0.XXX	±0.05						
ISO 1302	angular	0°	±°	title	mixed power+solder bucket	dwg no	C01-8639-2307C	rev	E



FRONT ACCESSORY	Blank without	L insert M3
		O insert UNC 4.40
PCB ACCESSORIES	A without	A without

PART NUMBER	MATINGS/ UNMATINGS	FRONT ACCESSORY	PCB ACCESSORIES
D*xWxPA00LF	200	without	without
D*LxWxPA00LF	200	insert M3	without
D*OxWxPA00LF	200	insert UNC 4.40	without
D*xWxP043A00LF	500	without	without
D*LxWxP043A00LF	500	insert M3	without
D*OxWxP043A00LF	500	insert UNC 4.40	without

shell size	LAYOUTS
#	xWx
E	5W1
A	11W1
A	7W2
B	21W1
B	17W2
B	13W3
B	9W4
C	25W3
C	21WA4
C	27W2
D	47W1
D	24W7
D	36W4

Amphenol
FCi

© 2016 AFci

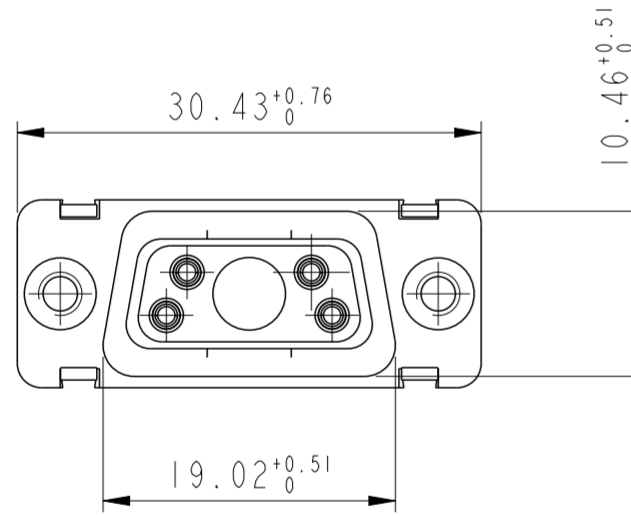
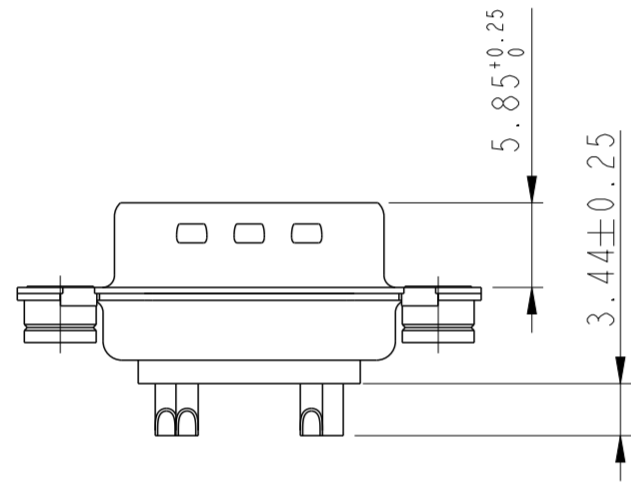
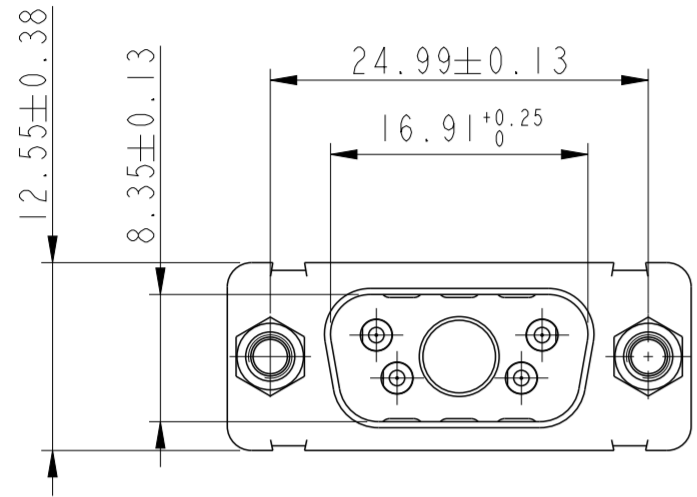
dr	1, Product Eng	2015/06/13	projection	MM	size	A2	scale	3:1
eng	Paul Mithun	2019/02/20			ecn no	ELX-32325-2		
chr	-	-			product family	D-SUB	rel level	Released
appr	K-Paul Biju	2019/02/20	Amphenol FCi		title	SUB MALE DW		rev
					cat. no.	-		Product - Customer Drw
					dwg no	C01-8639-2307C		rev
							sheet 2 of 7	E

PDS: Rev :E

STATUS:Released

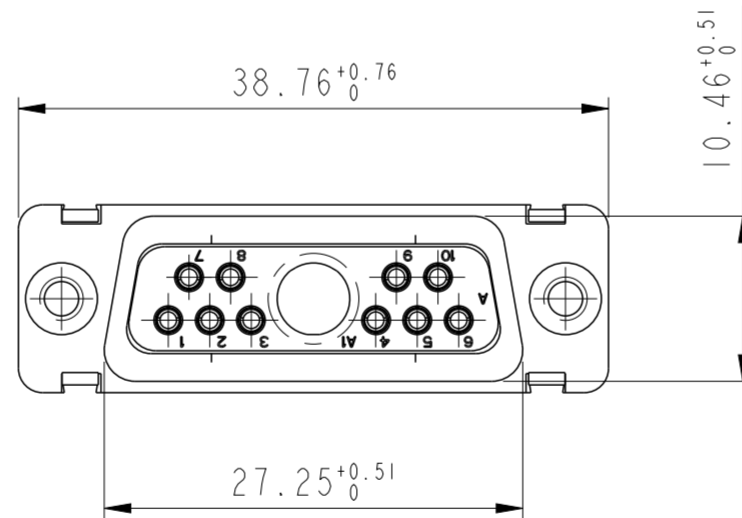
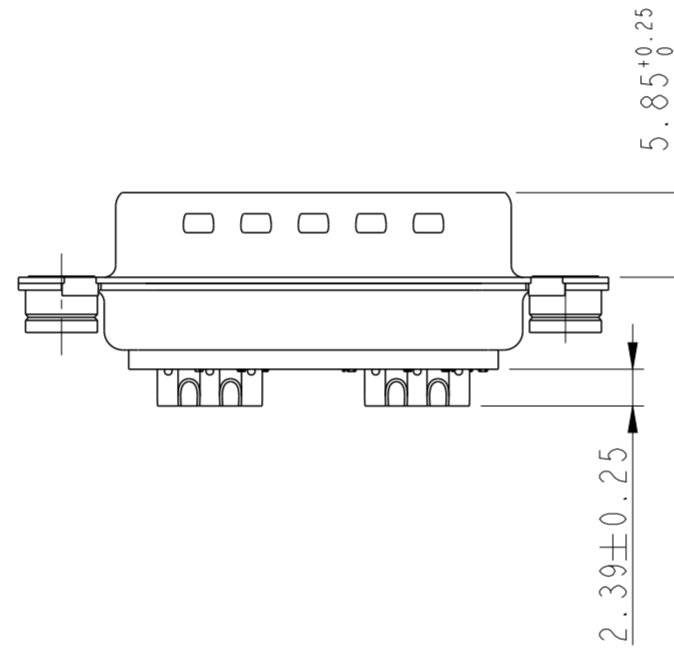
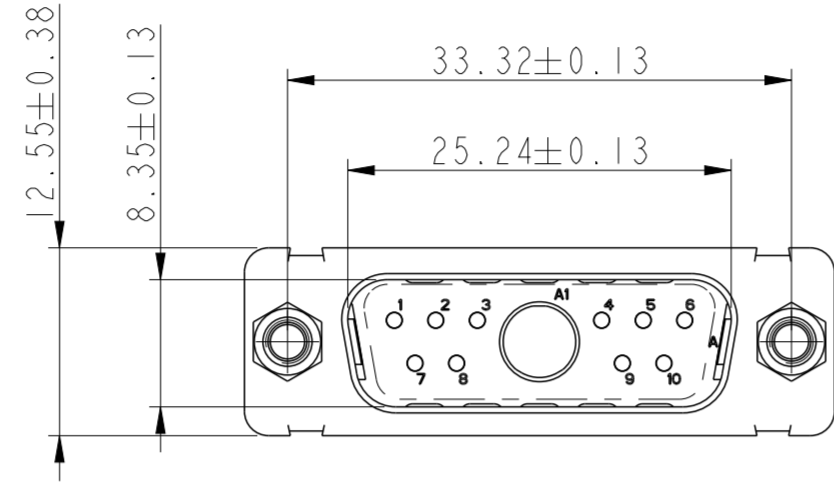
Printed: Feb 20, 2019

5W1

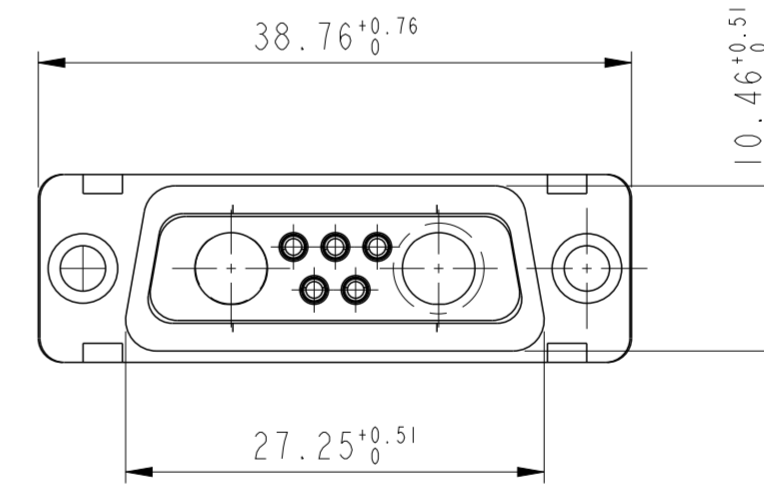
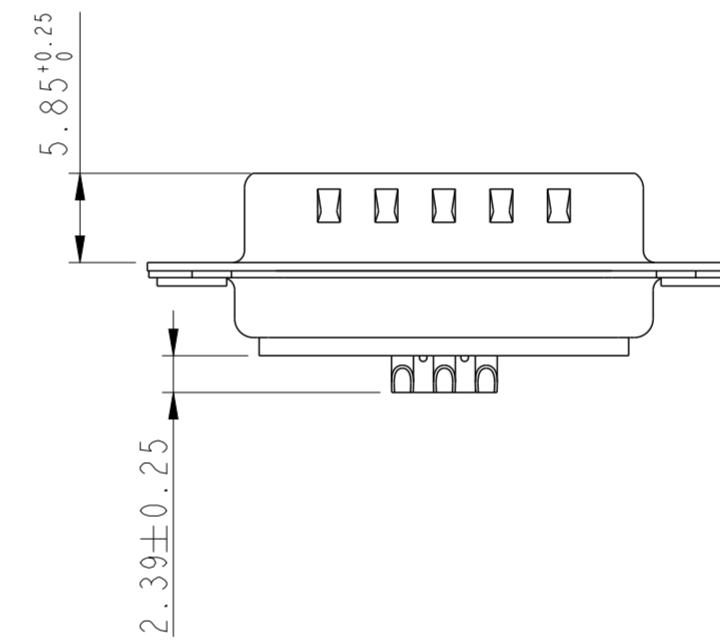
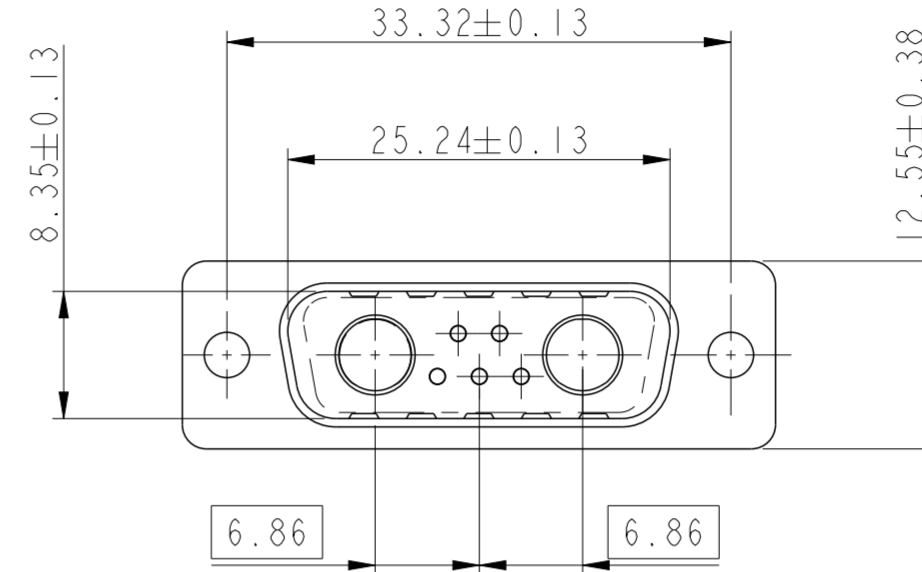


Floating signal contacts

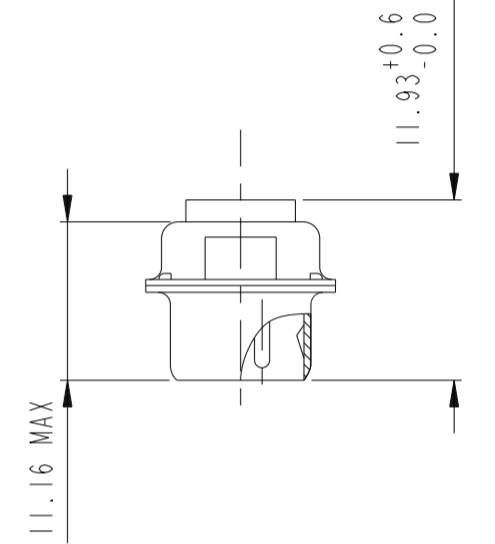
11W1



7W2



SIDE VIEW FOR LAYOUTS: E A B C

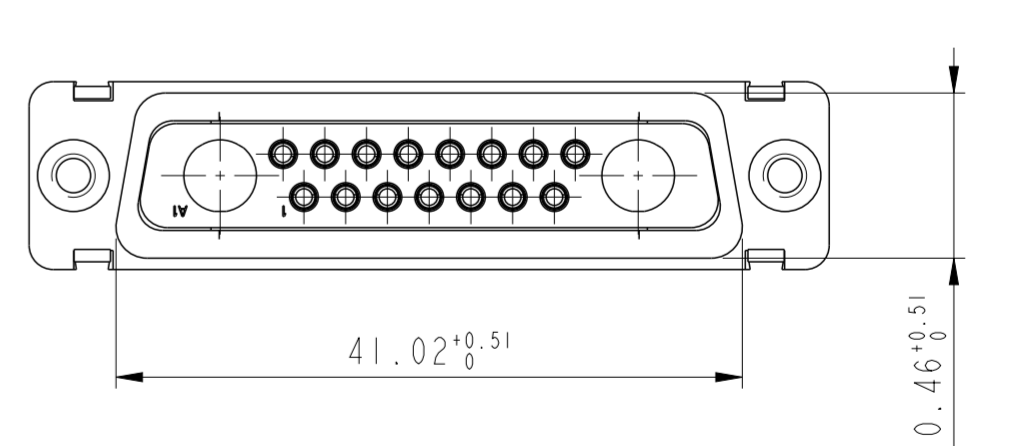
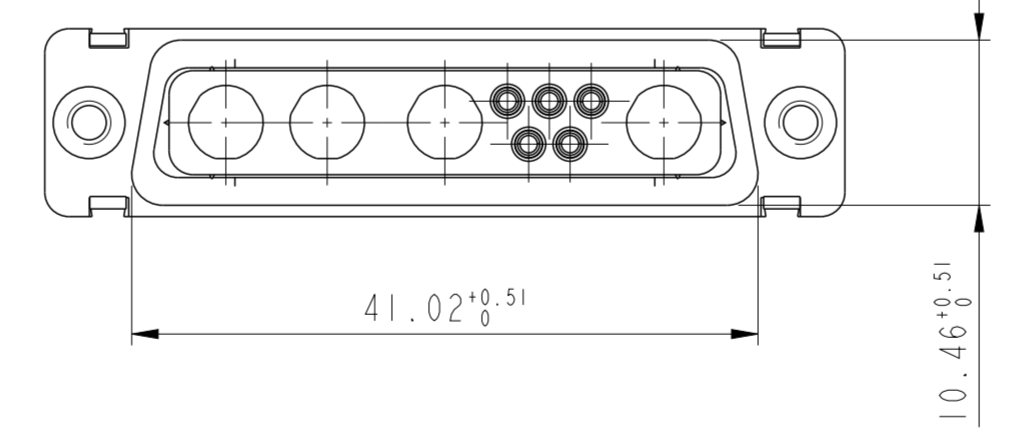
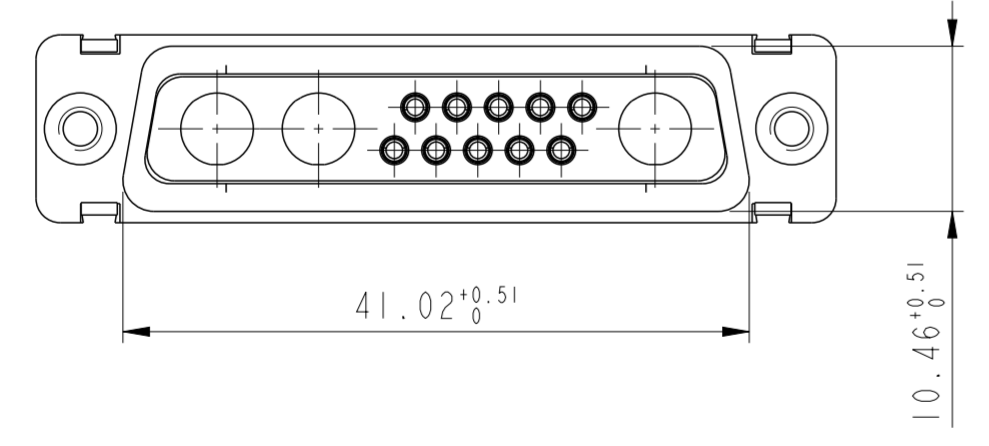
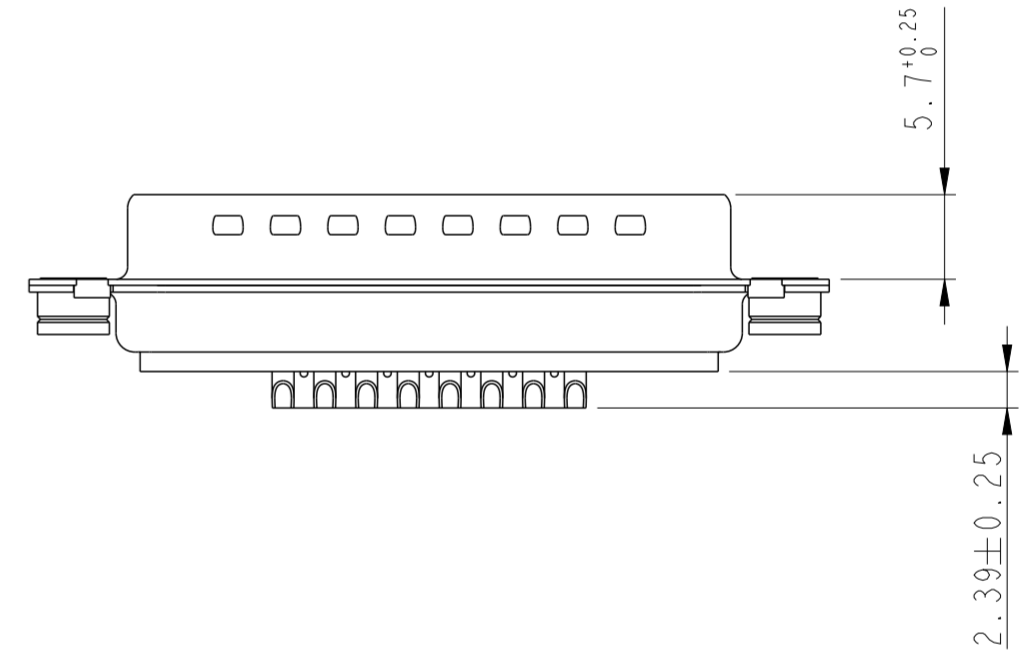
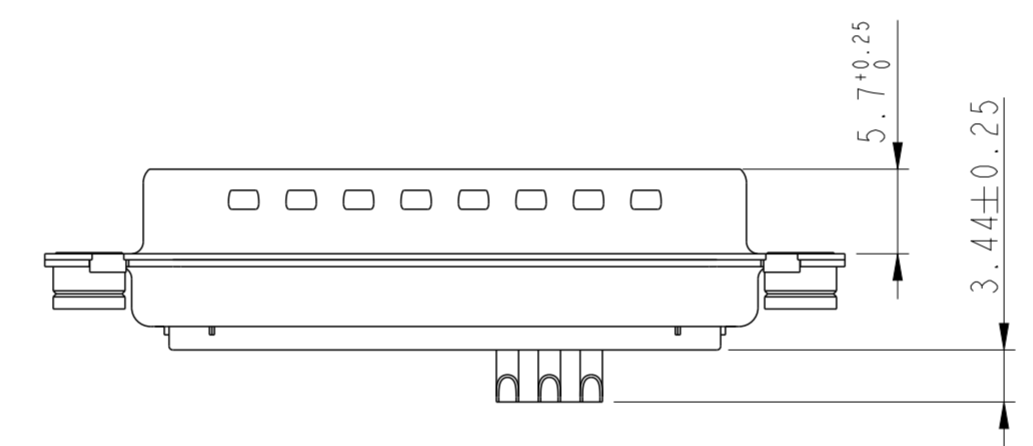
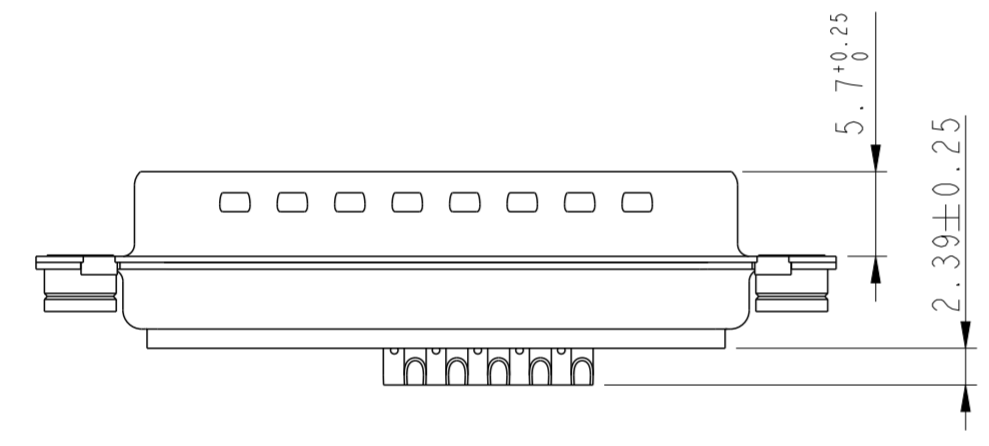
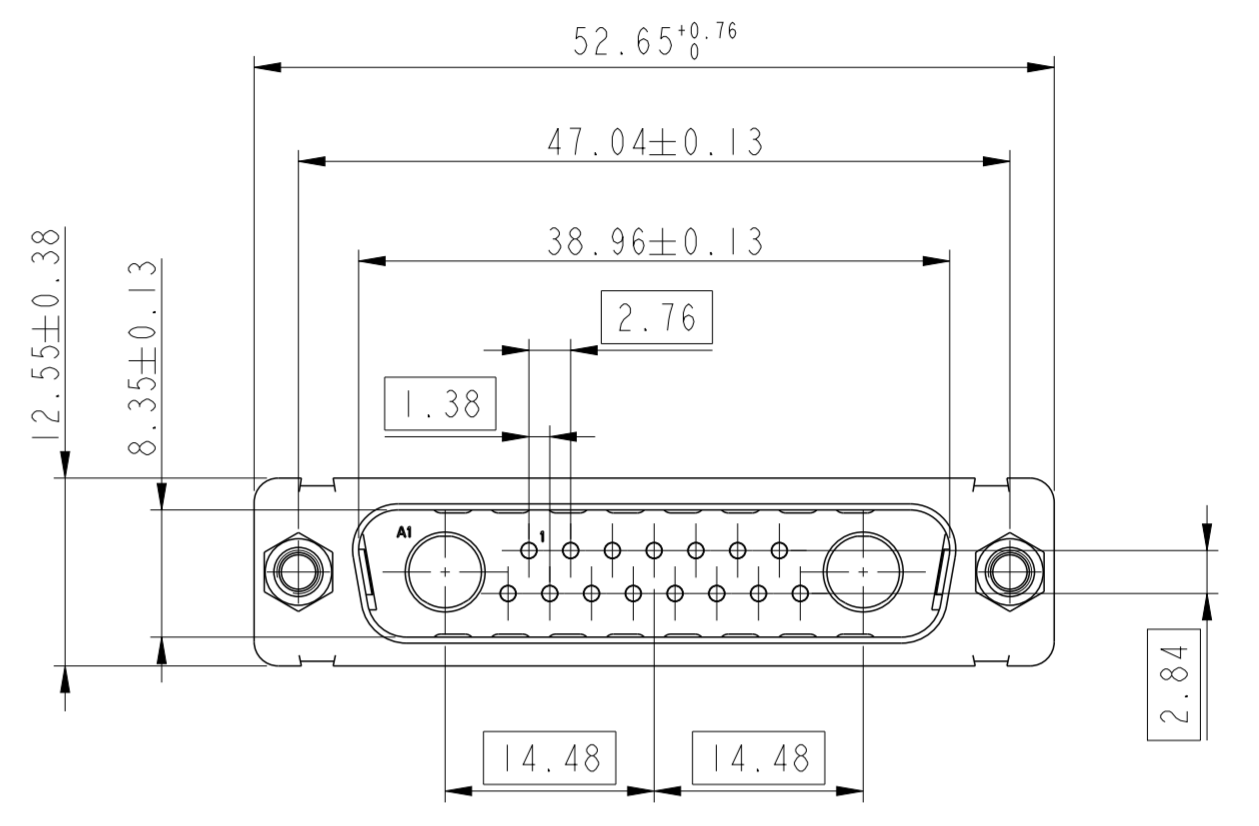
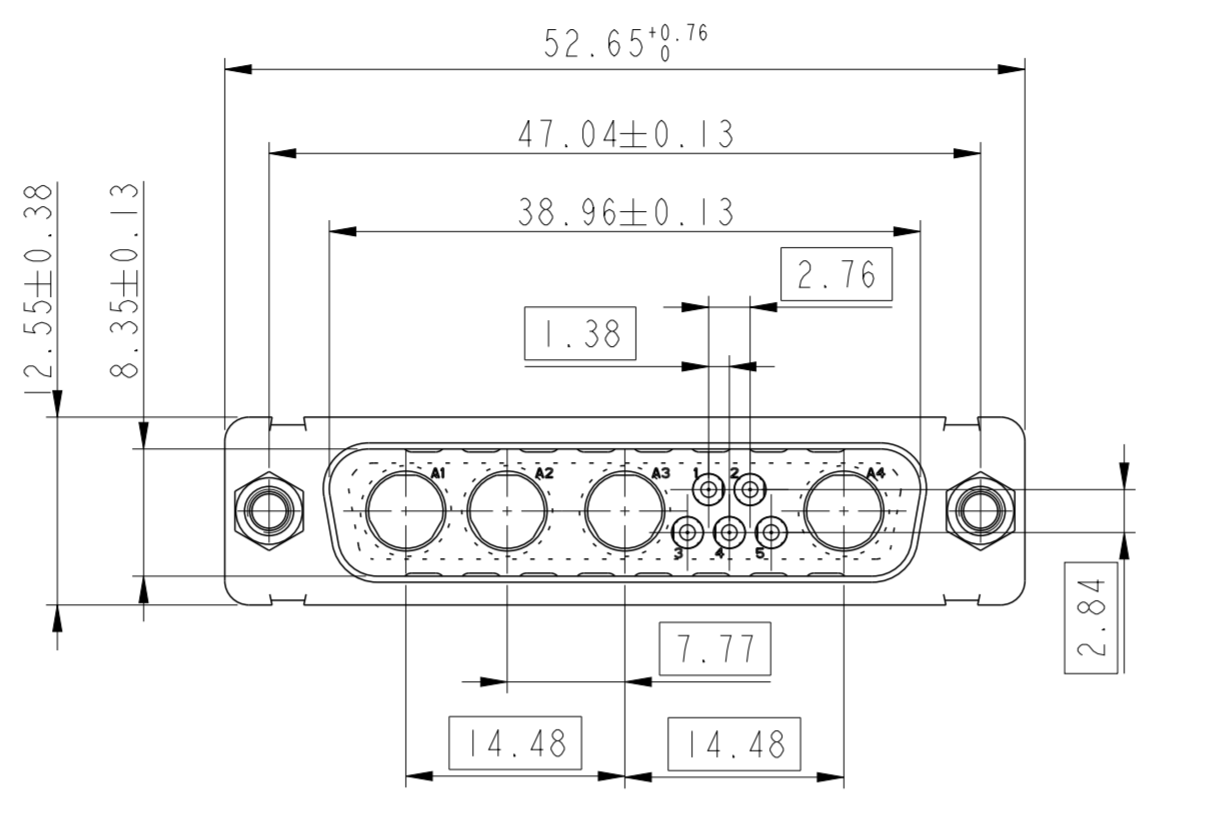
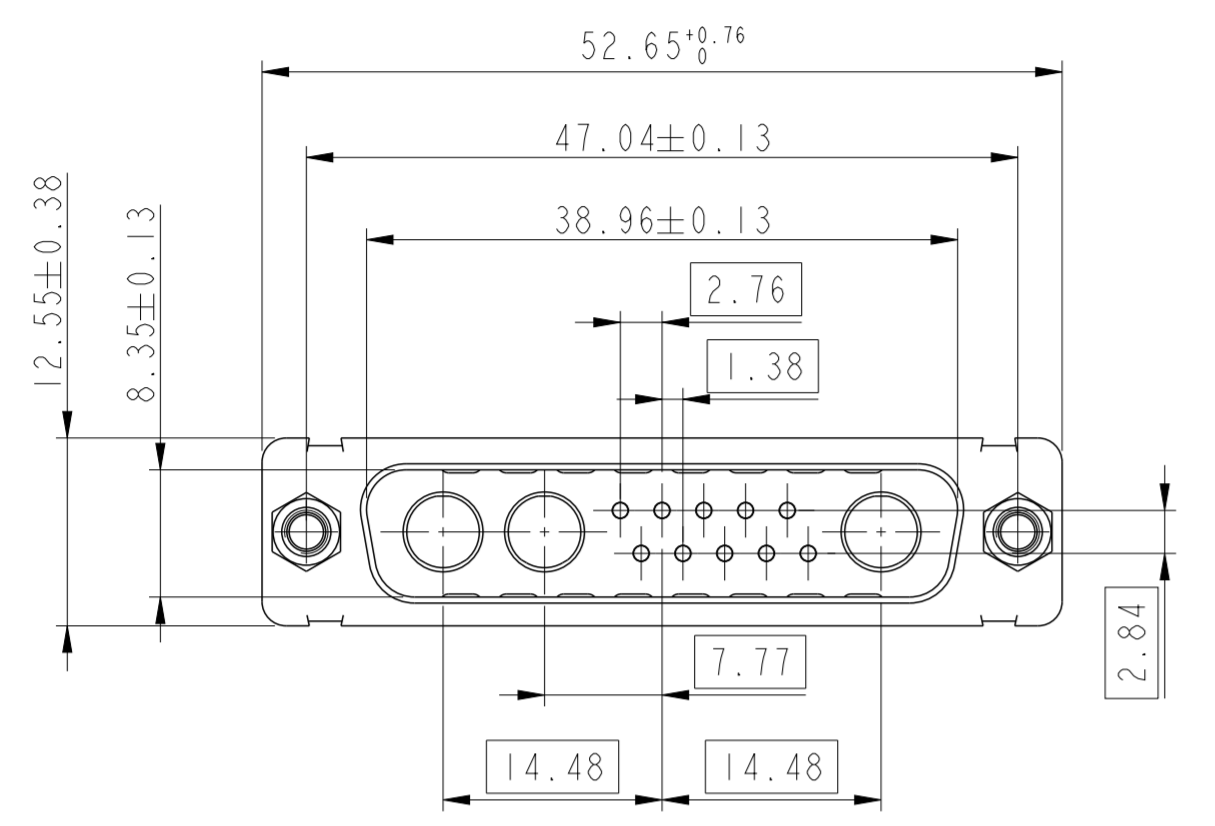


dr	1, Product Eng	2015/06/13	projection	MM	size	A2	scale	2:1
eng	Paul Mithun	2019/02/20			ecn no	ELX-32325-2		
chr	-	-			rel level	Released		
appr	K-Paul Biju	2019/02/20	product family	D-SUB		sheet 3 of 7		
		title SUB MALE DW mixed power+solder bucket			dwg no C01-8639-2307C	rev E		
cat. no.		-		Product - Customer Drw		sheet 3 of 7		

13W3

9W4

17W2



Floating signal contacts



Amphenol FCI

© 2016 AFCI

dr	1, Product Eng	2015/06/13	projection	MM	size	A2	scale	2:1
eng	Paul Mithun	2019/02/20			ecn no	ELX-32325-2		
chr	-	-				rel level	Released	
appr	K-Paul Biju	2019/02/20	product family	D-SUB		rel level	Released	
		title			SUB MALE DW		dwg no	C01-8639-2307C
		mixed power+solder bucket					rev	E
		cat. no.			-		Product - Customer Drw	
							sheet 4 of 7	

PDS: Rev :E

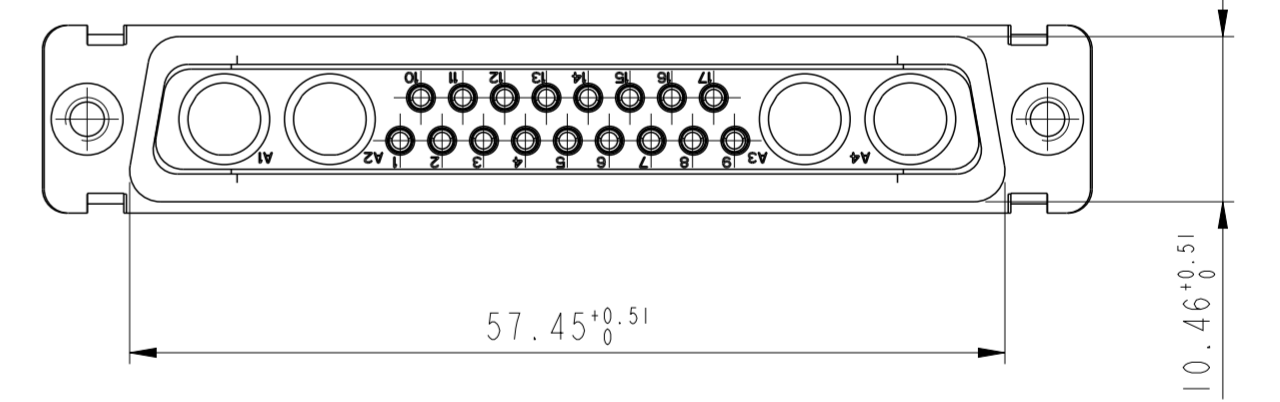
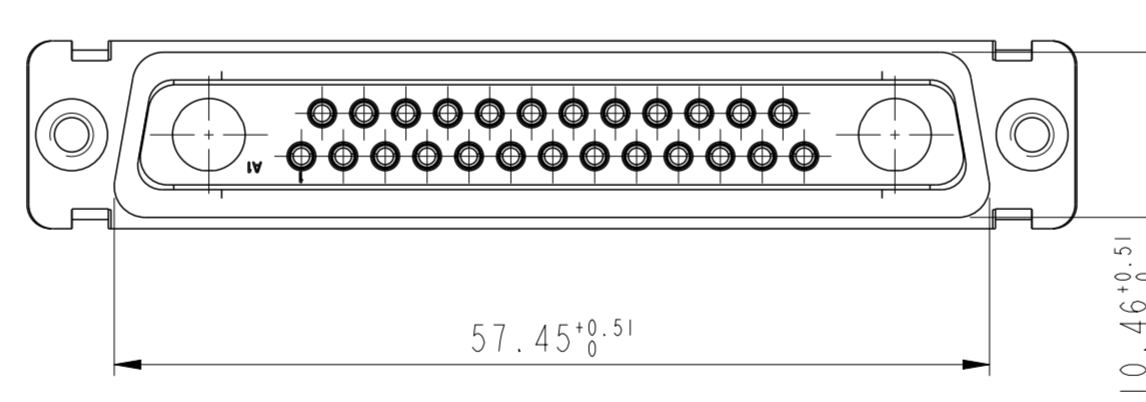
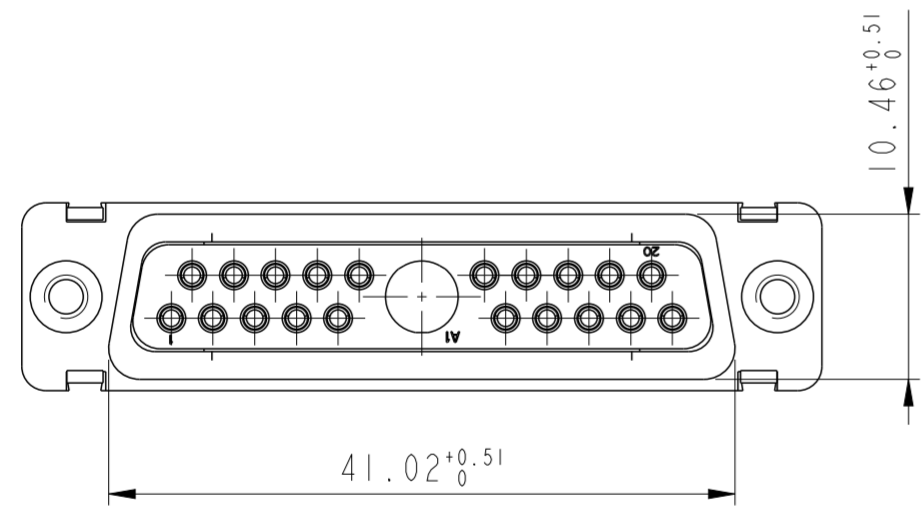
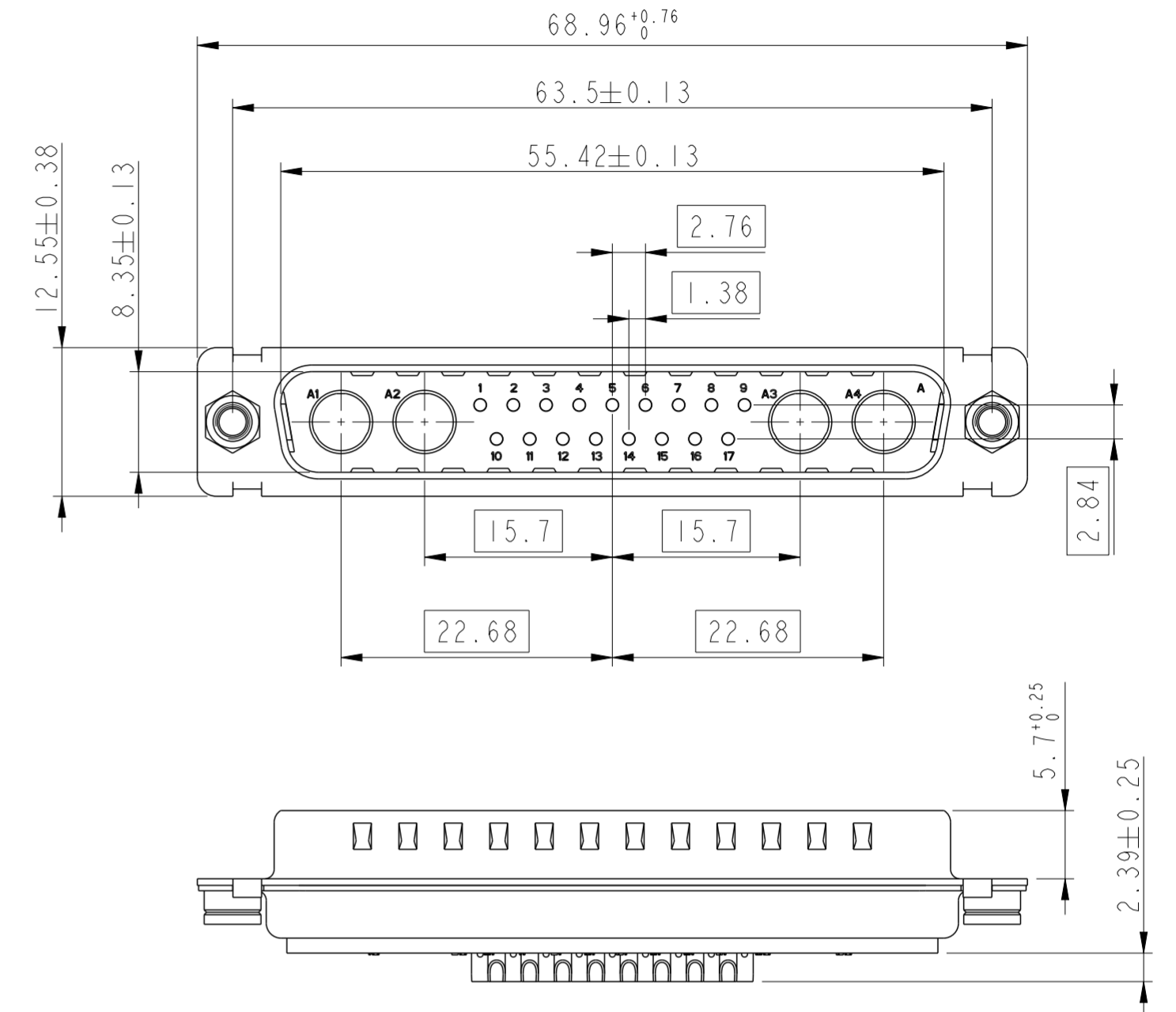
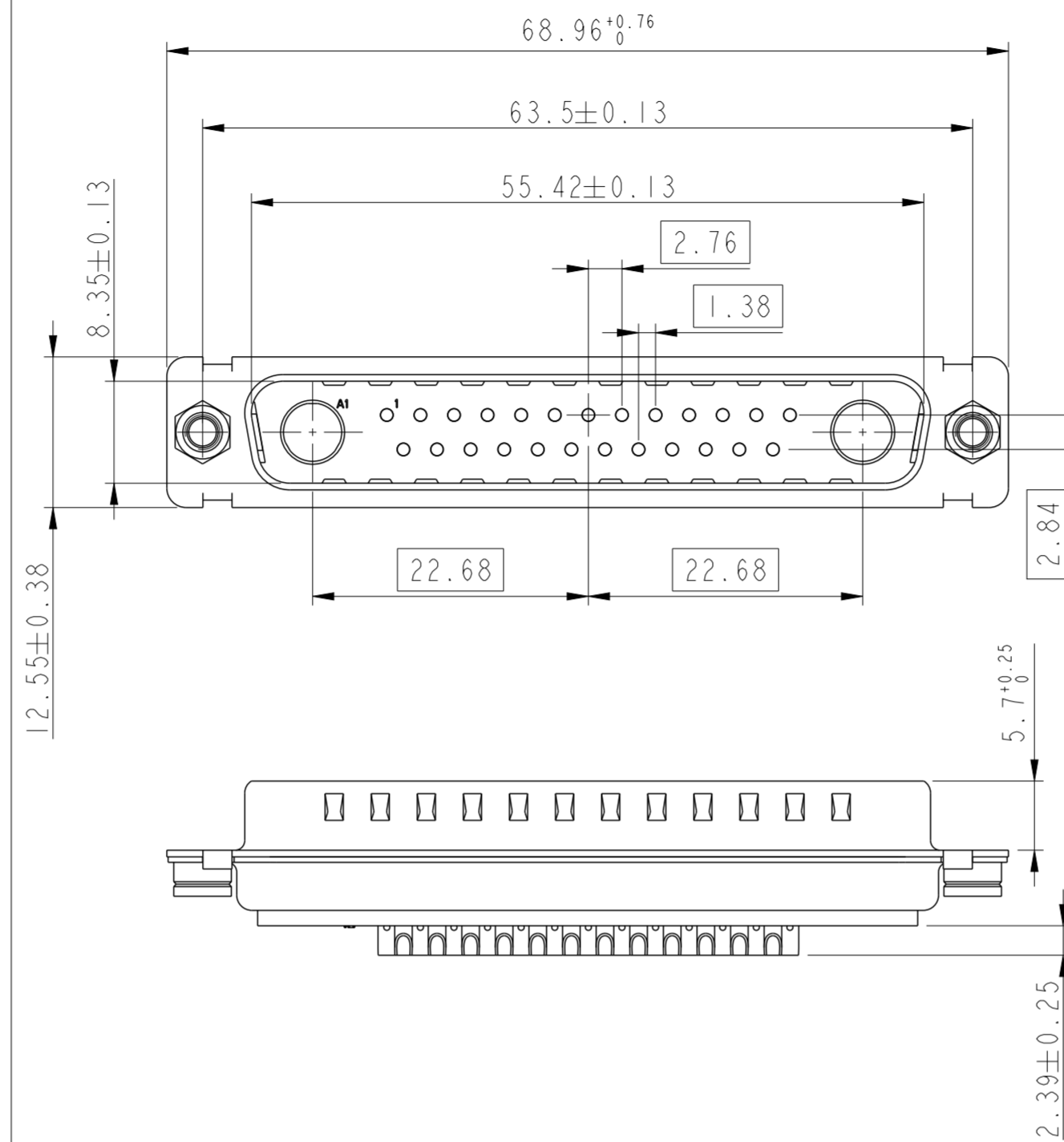
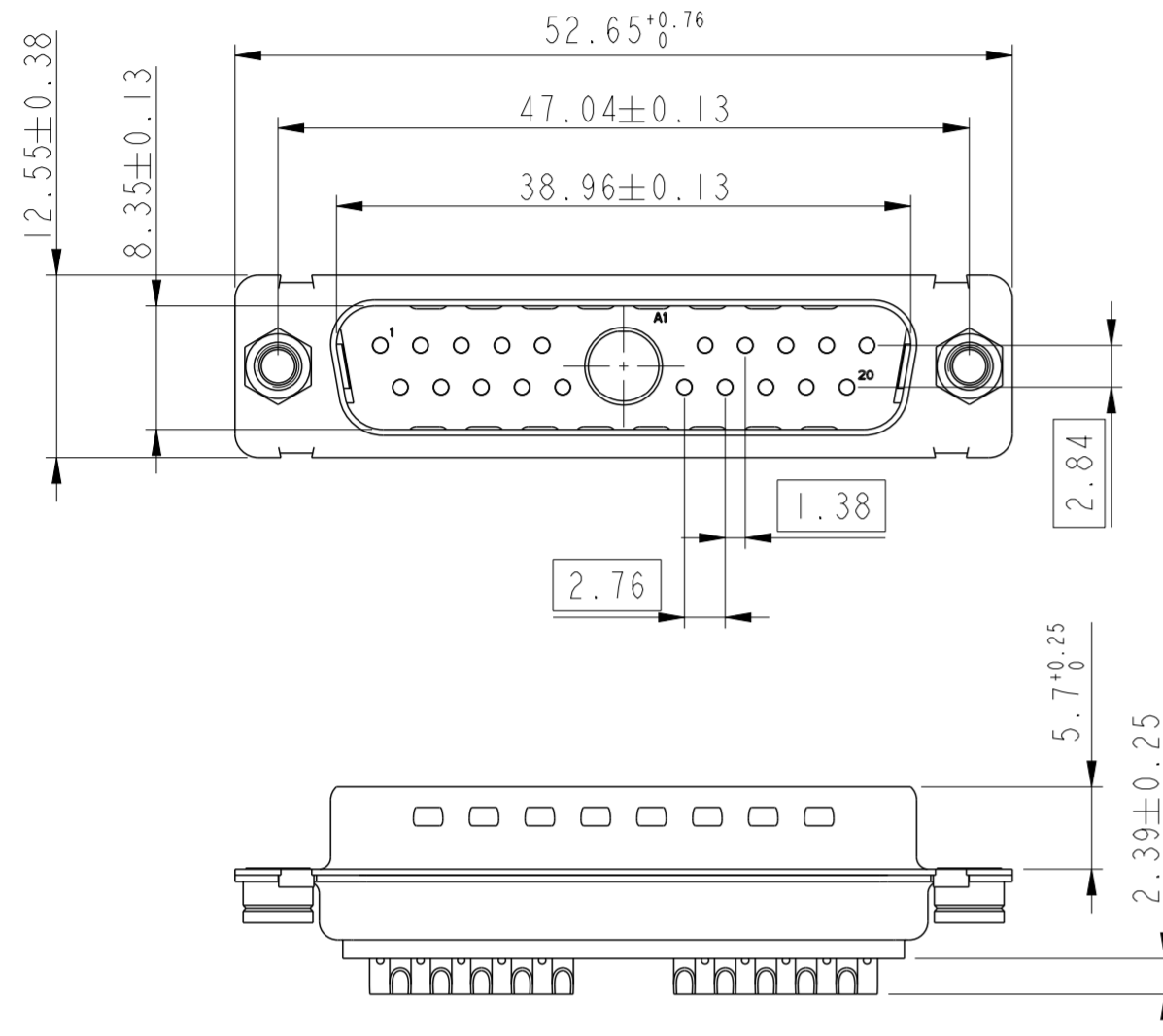
STATUS:Released

Printed: Feb 20, 2019

21W1

27W2

21WA4



Amphenol FCI

© 2016 APCI

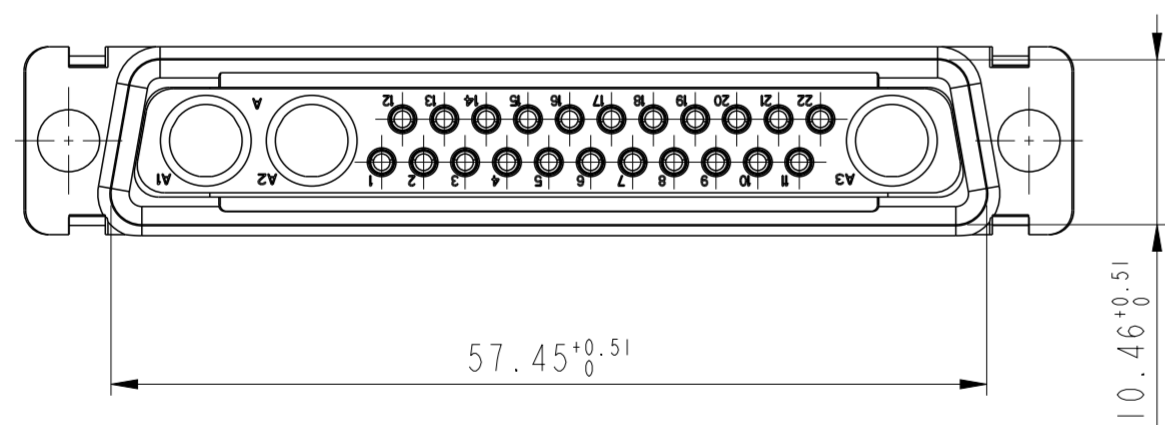
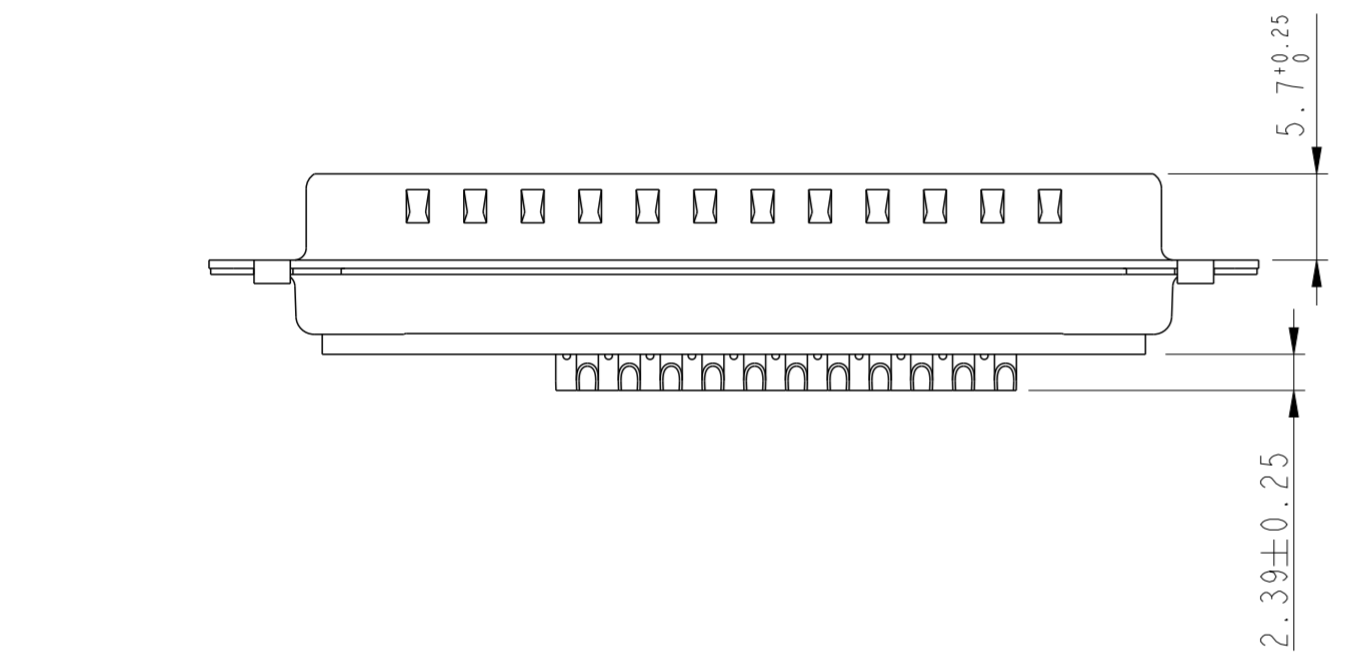
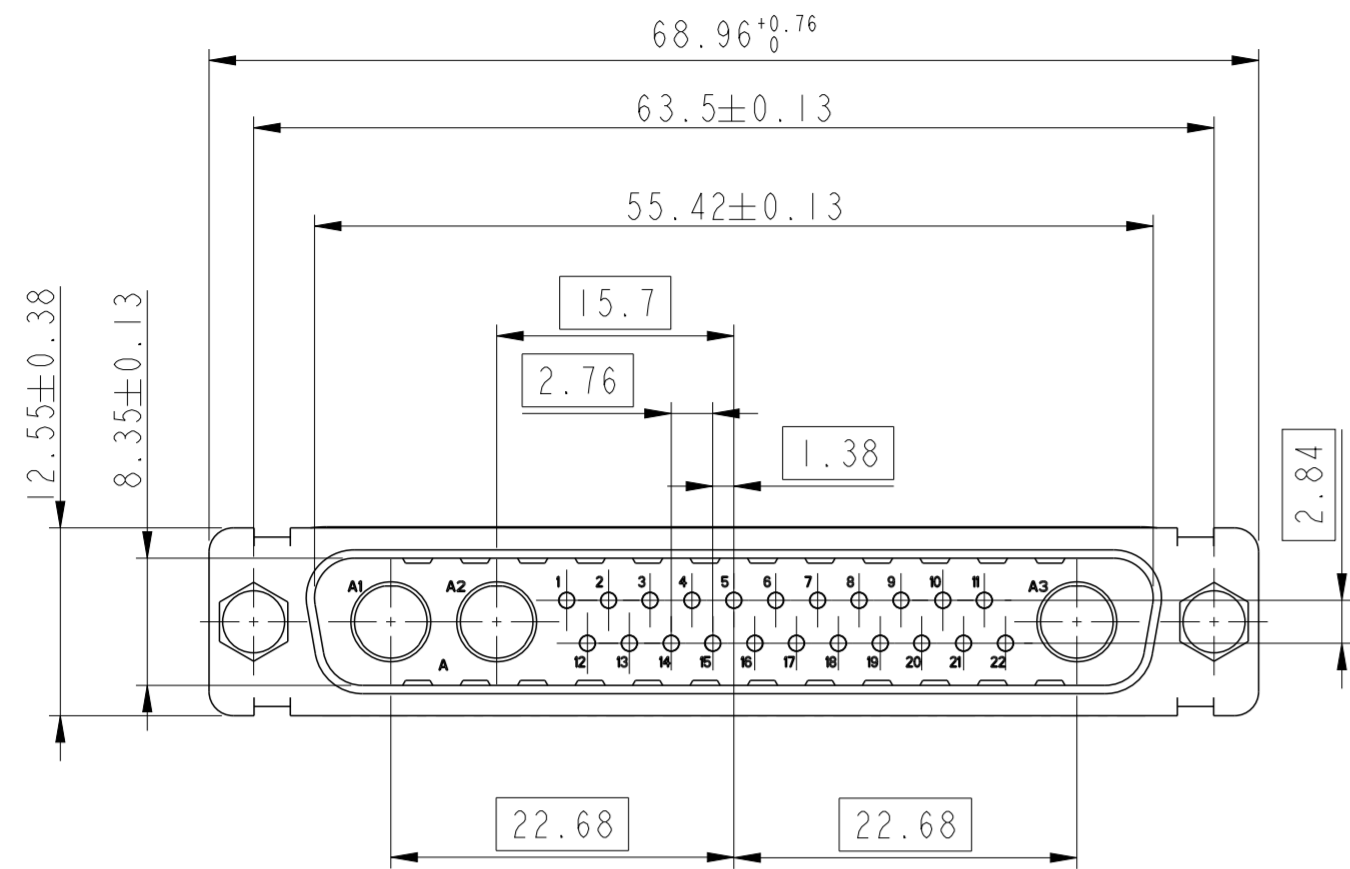
dr	1, Product Eng	2015/06/13	projection	MM	size	A2	scale	2:1		
eng	Paul Mithun	2019/02/20		D-SUB	ecn no	ELX-32325-2				
chr	-	-			rel level	Released				
appr	K-Paul Biju	2019/02/20	product family	D-SUB						
		title			SUB MALE DW		dwg no	C01-8639-2307C	rev	E
		cat. no.			-		Product - Customer Drw		sheet 5 of 7	

PDS: Rev :E

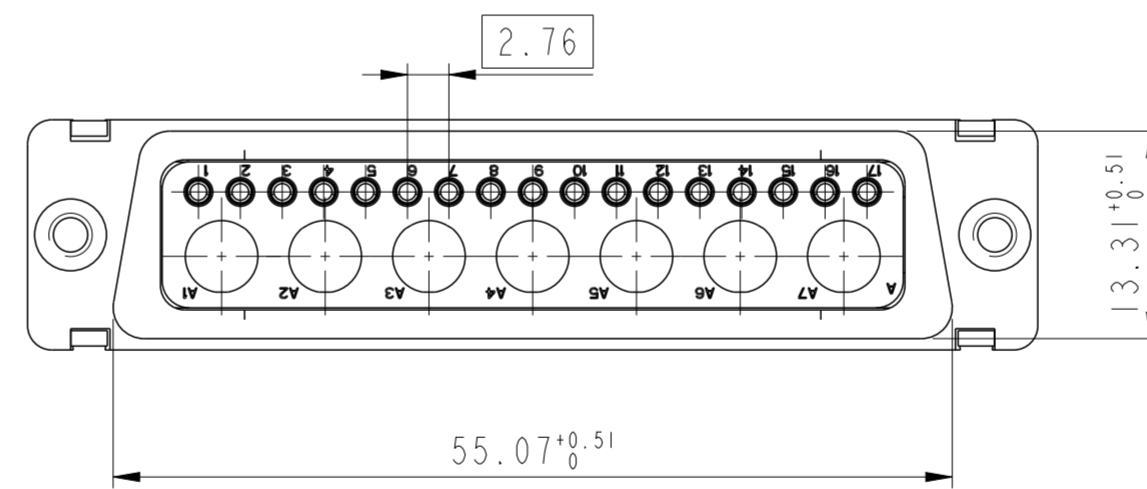
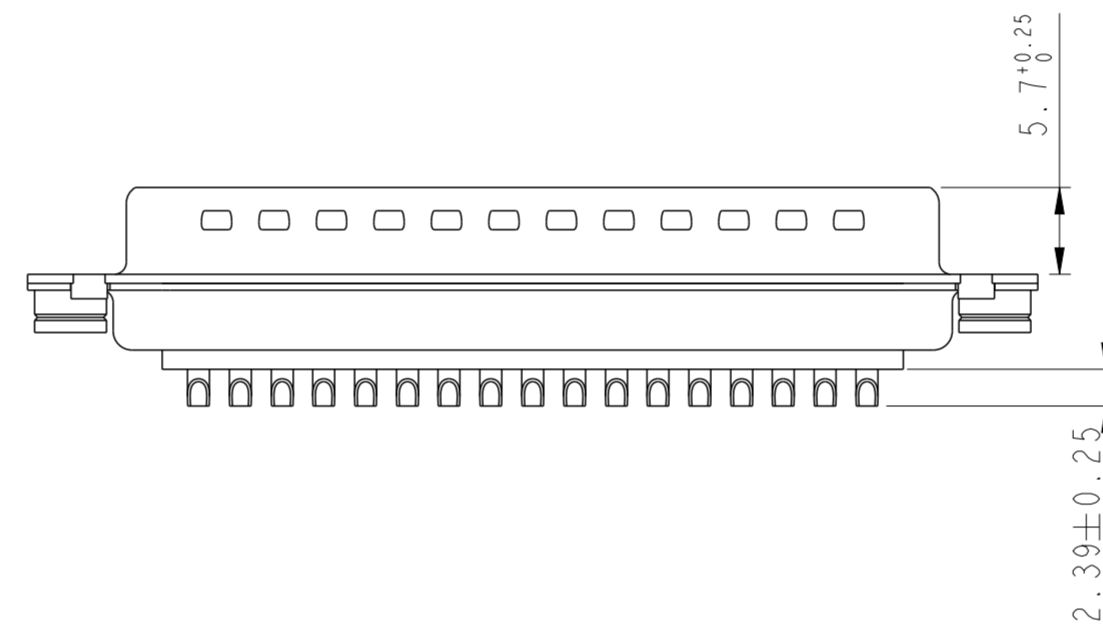
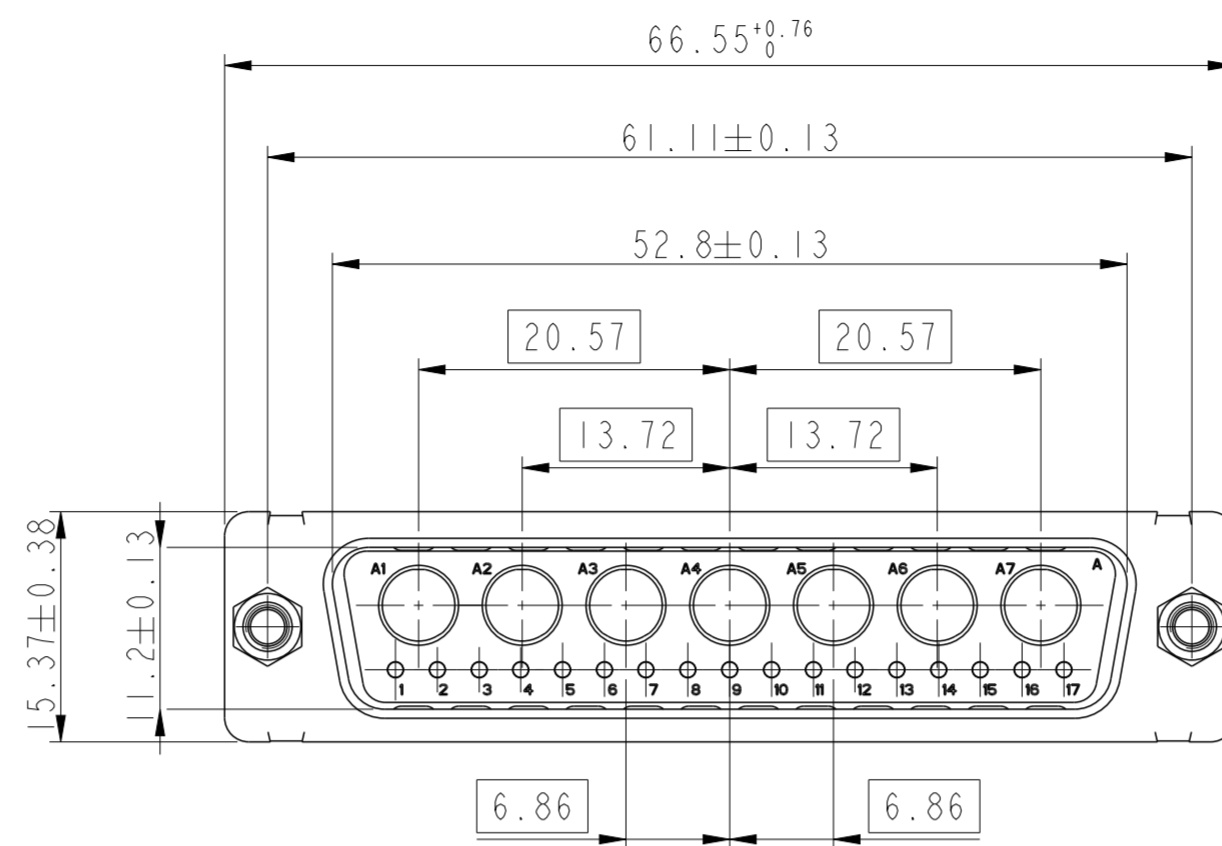
STATUS:Released

Printed: Feb 20, 2019

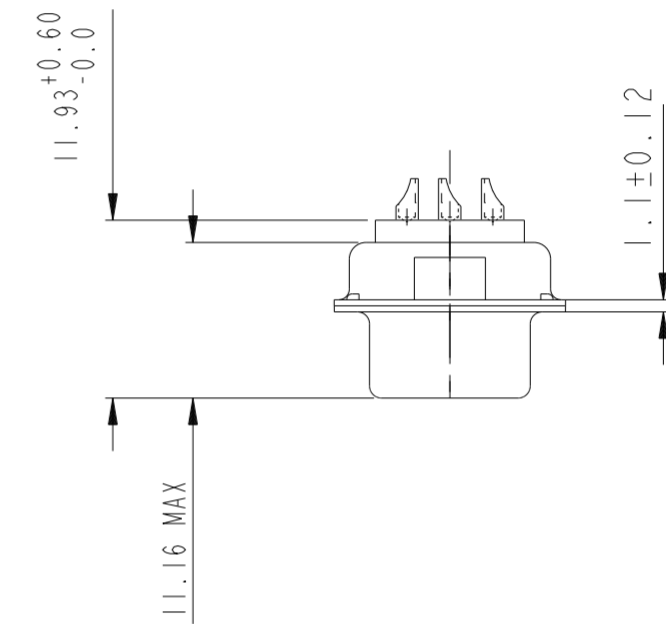
25W3



24W7



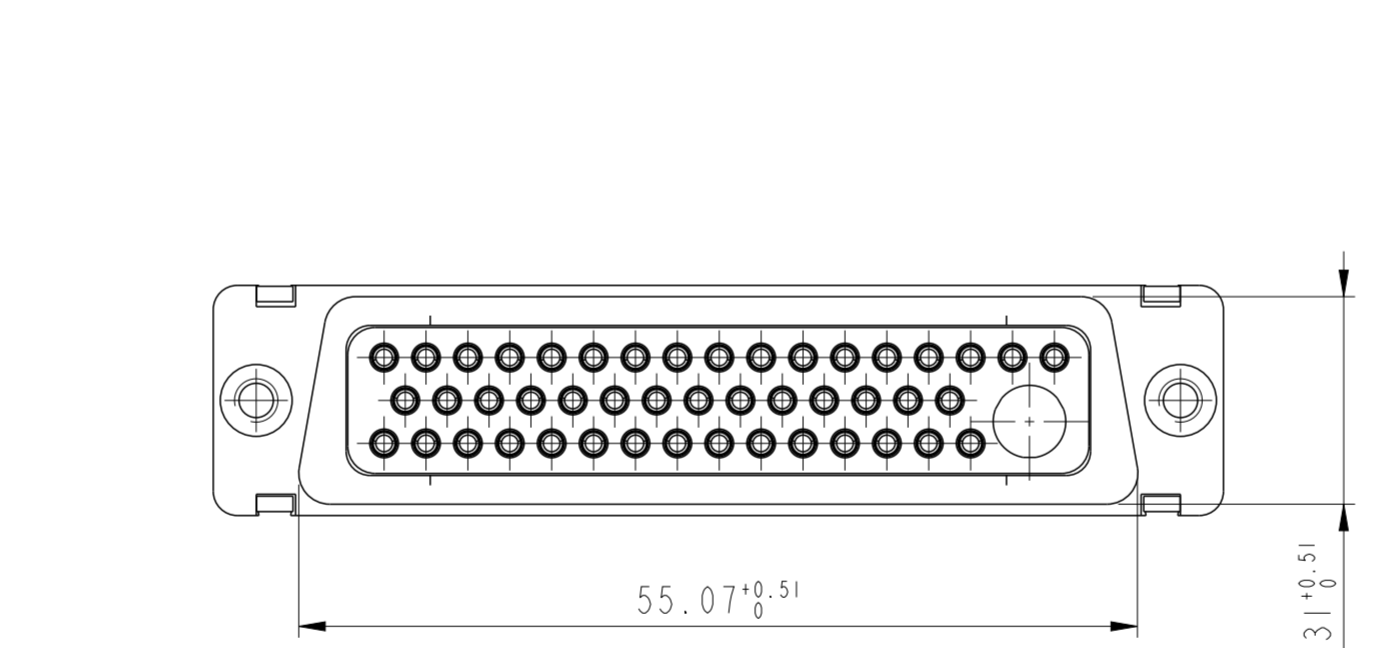
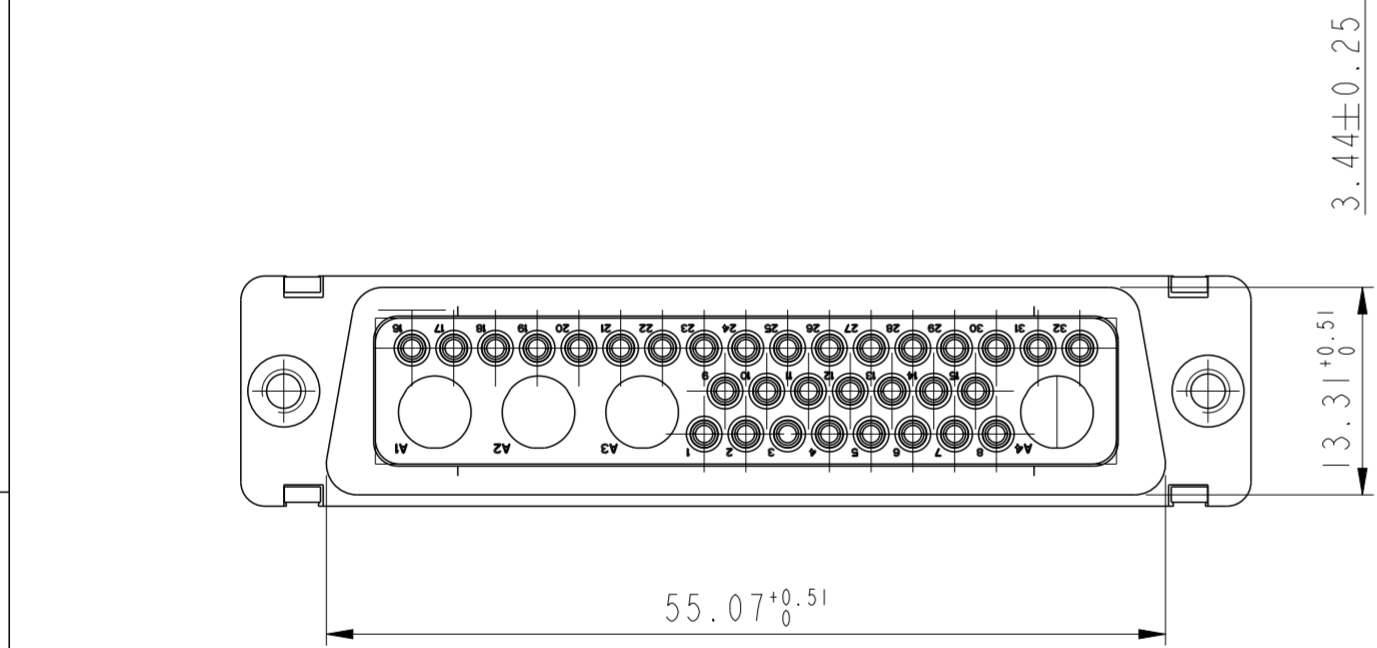
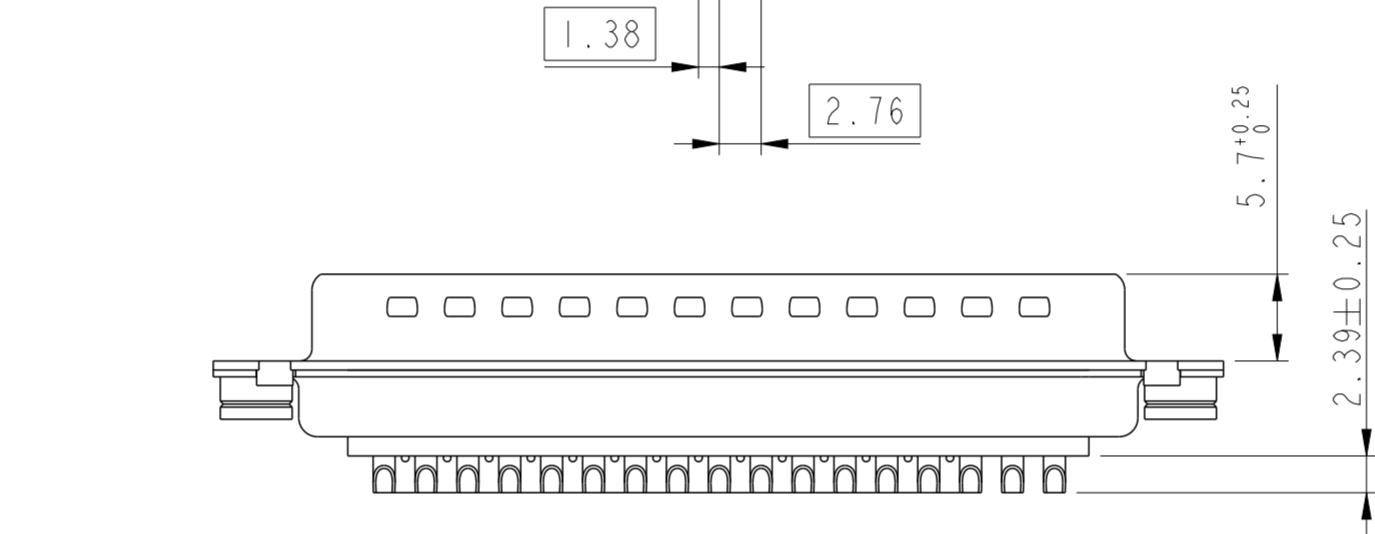
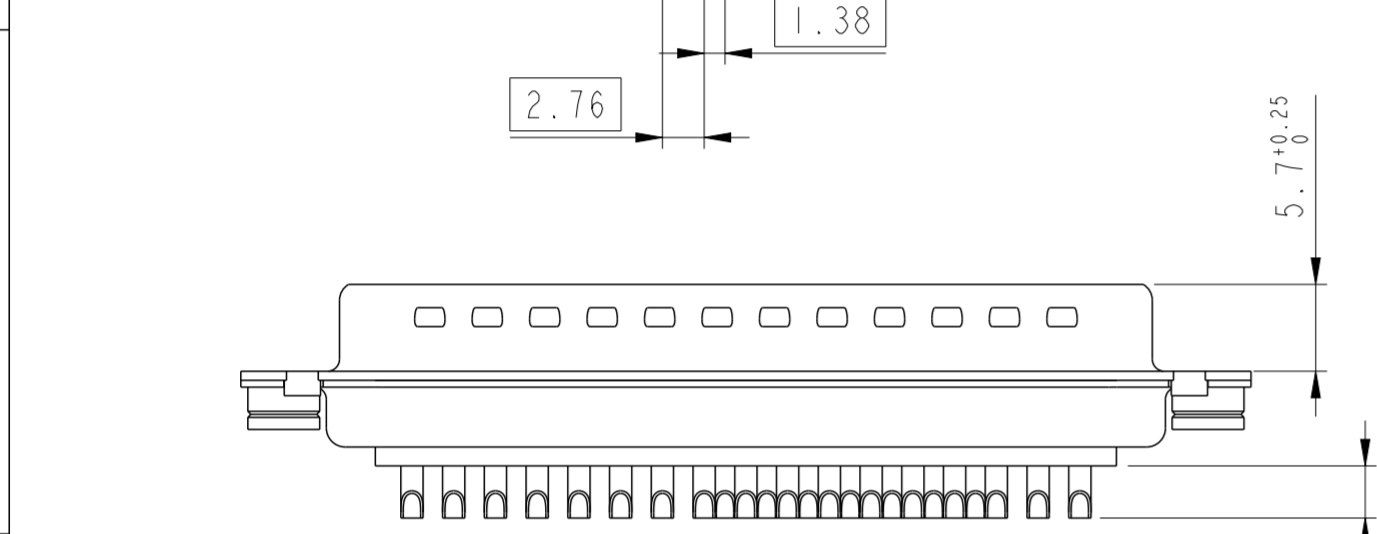
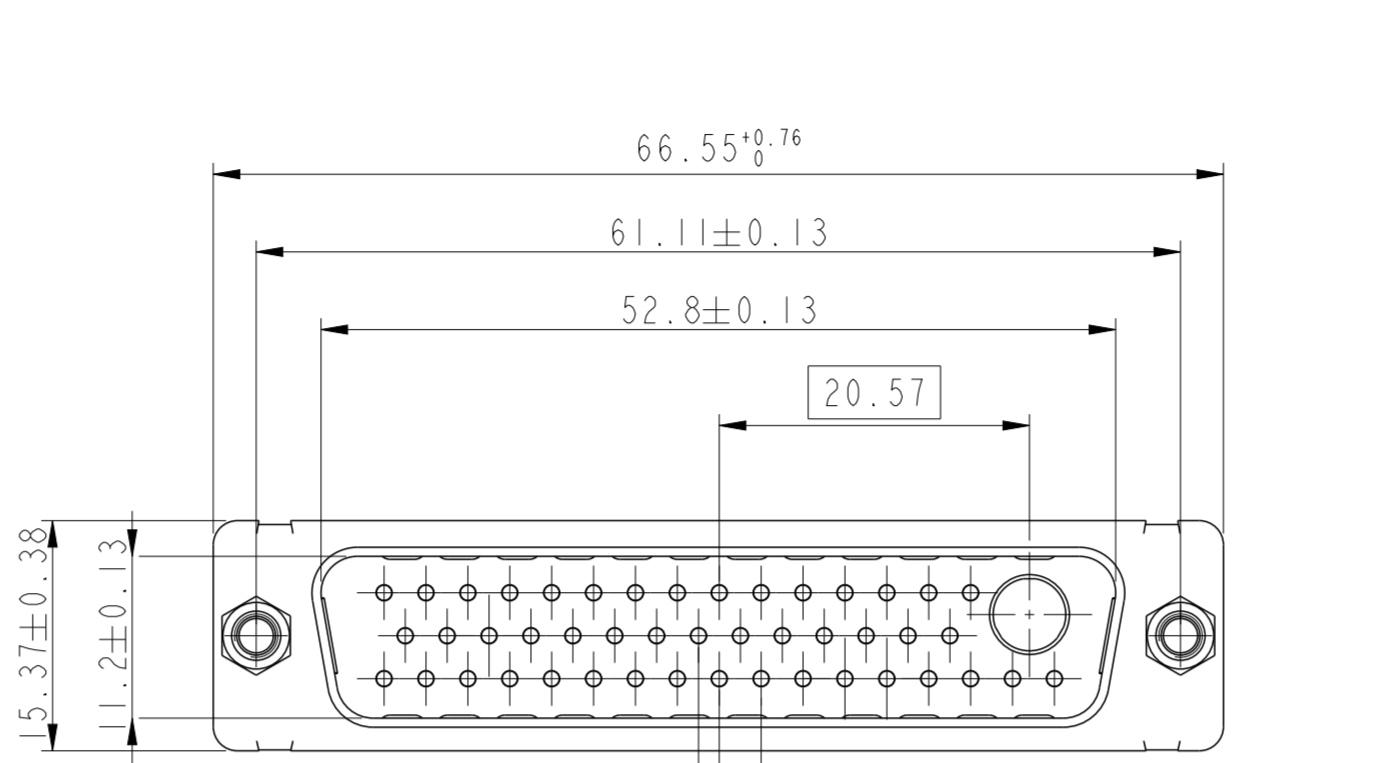
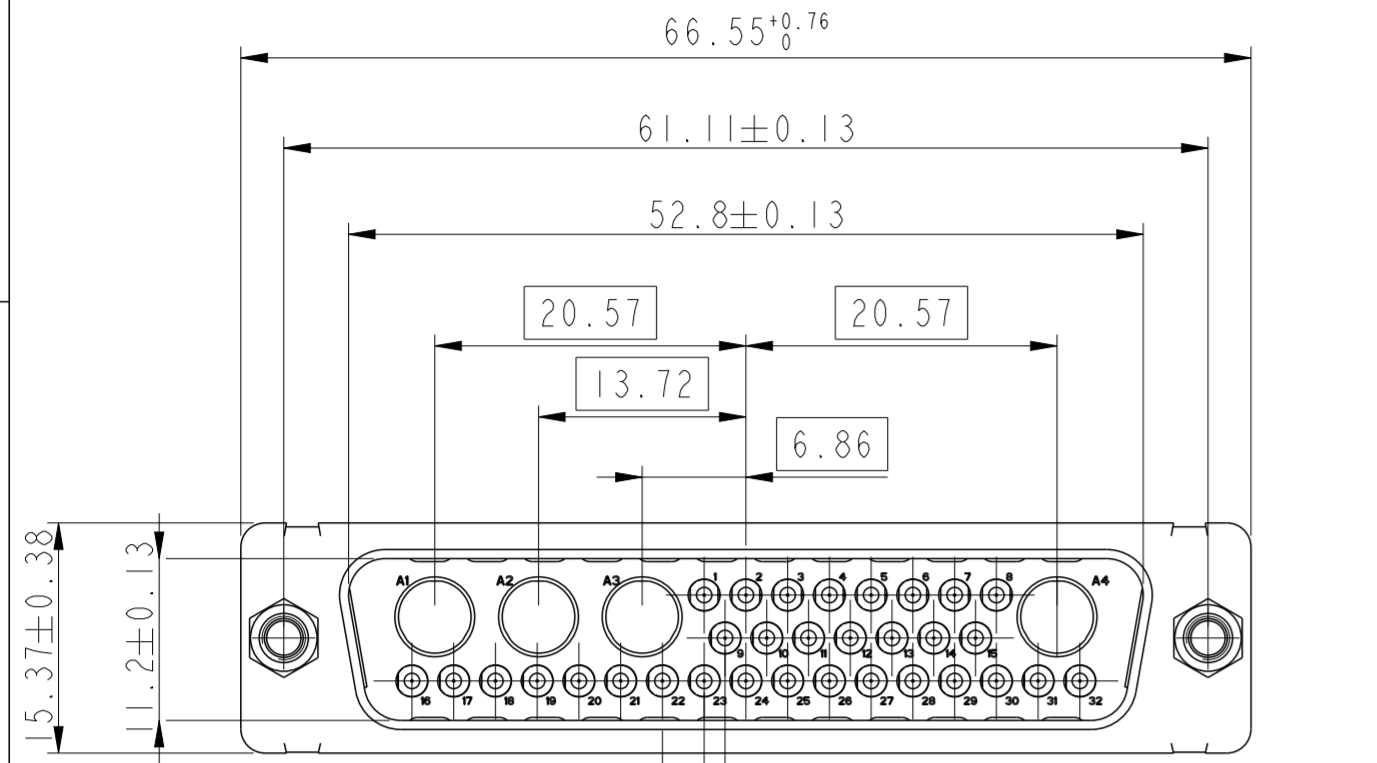
SIDE VIEW FOR LAYOUT: D



dr	1, Product Eng	2015/06/13	projection	MM	size	A2	scale	2:1
eng	Paul Mithun	2019/02/20			ecn no	ELX-32325-2	rel level	Released
chr	-	-			product family	D-SUB		
appr	K-Paul Biju	2019/02/20	title		SUB MALE DW		dwg no	C01-8639-2307C
cat. no.			Product - Customer Drw		sheet 6 of 7		rev	E

36W4

47W1



Floating signal contacts

Amphenol FCI

© 2016 AFCI

dr	1, Product Eng	2015/06/13	projection	MM	size	A2	scale	2:1
eng	Paul Mithun	2019/02/20			ecn no	ELX-432325-2		
chr	-	-			rel level	Released		
appr	K-Paul Biju	2019/02/20	product family	D-SUB				
Amphenol FCI		title SUB MALE DW			dwg no C01-8639-2307C		rev E	
cat. no.		-			Product - Customer Drw		sheet 7 of 7	

PDS: Rev :E

STATUS:Released

Printed: Feb 20, 2019

Mouser Electronics

Authorized Distributor

Click to View Pricing, Inventory, Delivery & Lifecycle Information:

[FCI / Amphenol:](#)

[DDO24W7P043A00LF](#)