



Copyright FCI.

NOTES

Material and finish:

Housings:

Shells: steel, yellow cadmium plated
Insulator: green thermoset

Contacts:

brass, gold plated over nickel on mating end, tin lead plated over nickel on termination end

Brackets:

glass filled thermoplastic UL94V0

Rivets:

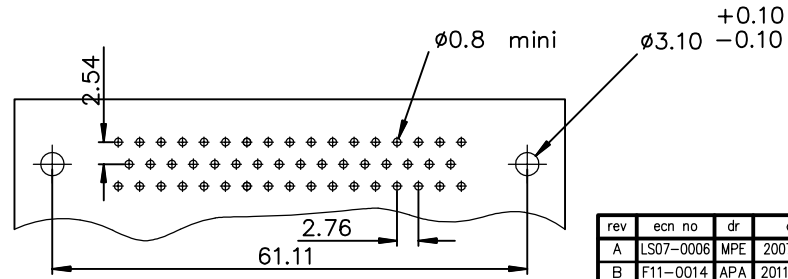
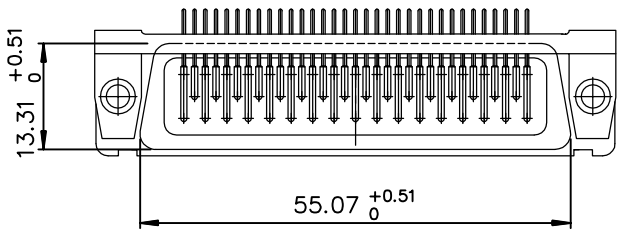
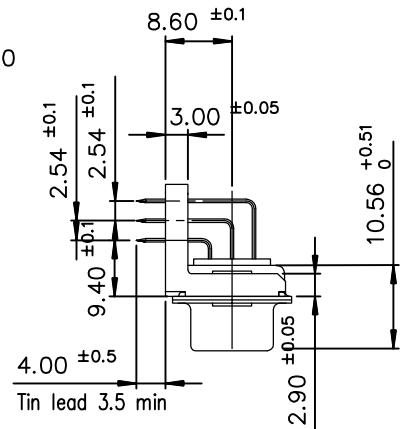
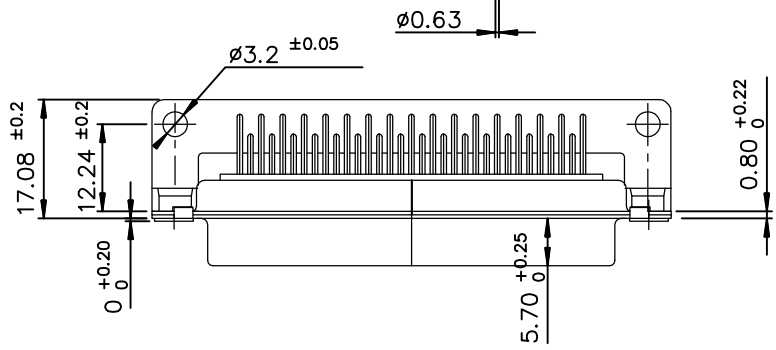
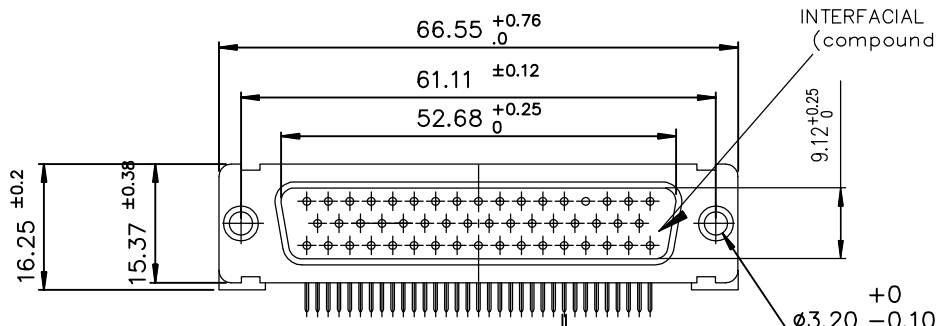
brass, bright nickel plated

Environmental characteristics

55/155/56
temperature range: -55°C to +155°C
damp heat steady state: 56 days
salt spray: 48 hours

Electrical characteristics

nominal current: 7.5 A
contact resistance: ≤7.3 mΩ
contact/contact: ≥1000V
insulation resistance: 5000 MΩ



P/N: DDM50P500NSP67SP73

European Views

www.fciconnect.com		surface	tolerance std	projection	mm
		ISO 1302	ISO 406 ISO 1101		
TOLERANCES UNLESS OTHERWISE SPECIFIED					
Dr	M PESSON	10/01/07	ANGULAR	0.X	±0.1
Eng	P LEGARE	10/01/07	LINEAR	0.XX	±0.1
Chr	-	-	0.XX ±2	0.XXX	±0.1
Appr	-	-	Product family	DSUB	Spec ref -
title			size		Scale
MALE CONNECTOR DM 50			A3		1.5
RA WITH INTERFACIAL SEAL			ECN		F11-0014
catalog no			CUSTOMER		sheet 1 of 1
			dwg no		Rev.
			C01-8637-1761		B

rev	ecn no	dr	date
A	LS07-0006	MPE	2007/01/10
B	F11-0014	APA	2011/01/27
-	-	-	-
-	-	-	-
-	-	-	-
-	-	-	-

Dimensions are in millimeters

PC BOARD LAYOUT

Mouser Electronics

Authorized Distributor

Click to View Pricing, Inventory, Delivery & Lifecycle Information:

[Amphenol:](#)

[DDM50P500NSP67SP73](#)