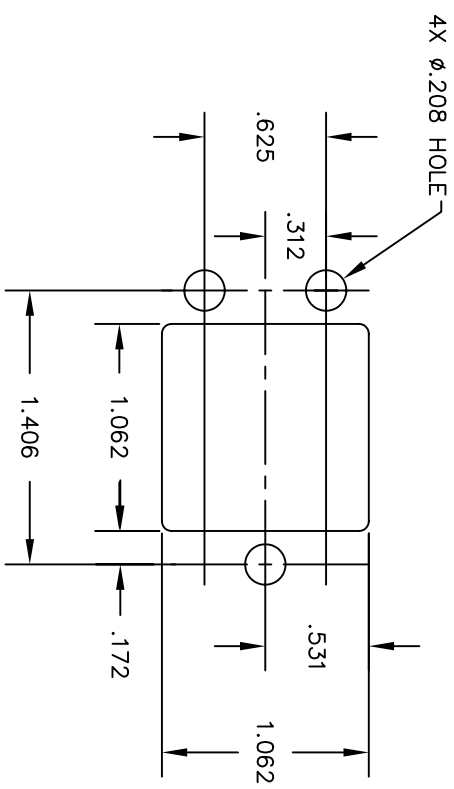
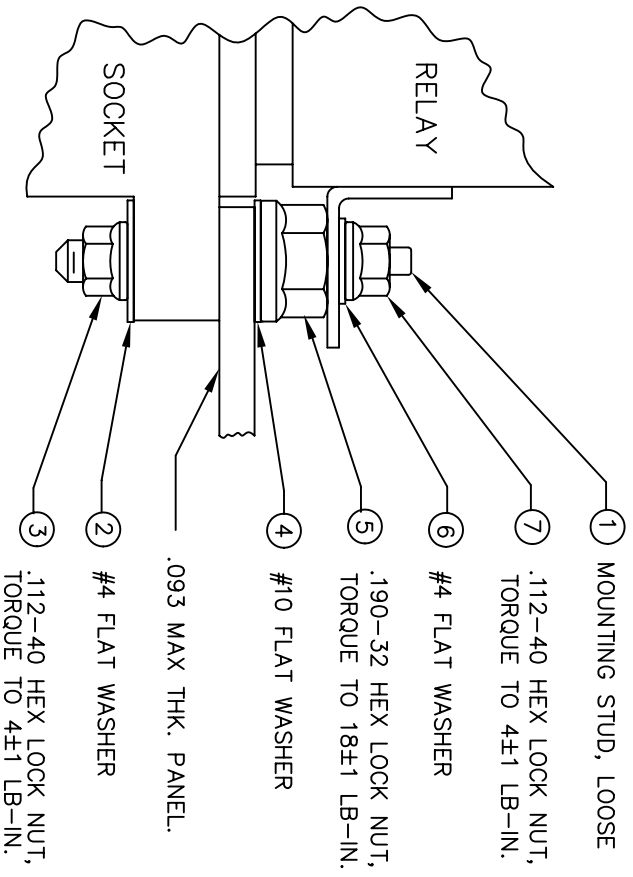


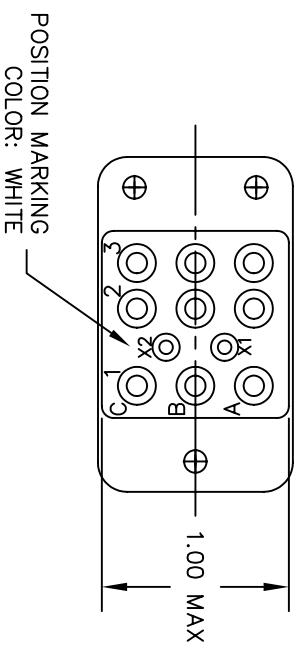
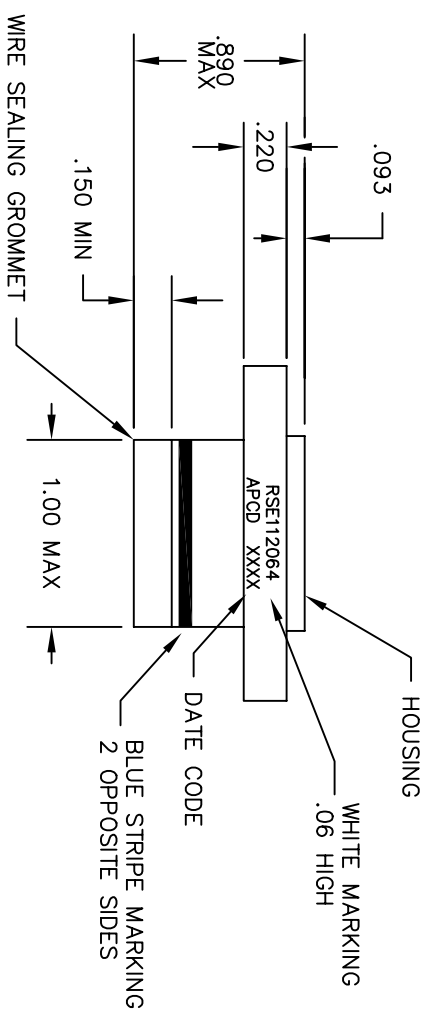
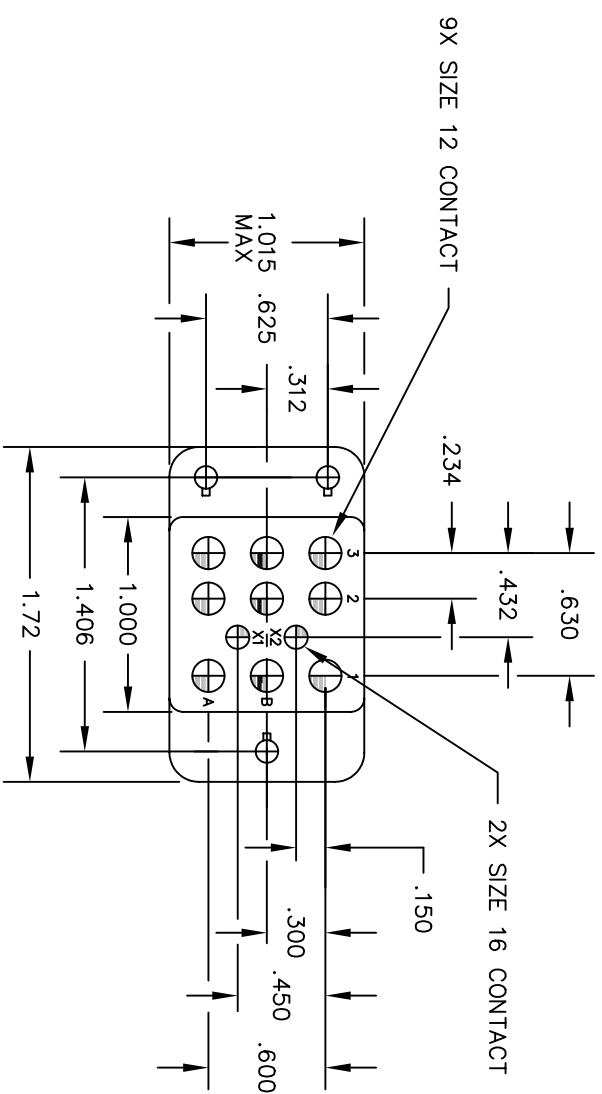
REV	ECN	APP'D
-	5689	



RECOMMENDED MOUNTING  
PANEL HOLE



MOUNTING HARDWARE  
INSTALLATION SEQUENCE BY ITEM NUMBER  
TYP 4 PLACES



NOTES:  
1. CONFORMS TO PERFORMANCE REQUIREMENTS OF MIL-PRF-12883

- MATERIALS:  
A. HOUSING - POLYETHERIMIDE, COLOR: BLUE-GREEN.  
B. GROMMET - SILICONE ELASTOMER, COLOR: RED.
- SOCKET CONTACTS CONFORM TO PERFORMANCE REQUIREMENTS OF MIL-C-39029, GOLD OVER NICKEL PLATE.
- OPERATING TEMPERATURE: +125°C/-65°C CONTINUOUS.
- CONTACT INSTALLATION TOOLS:  
#12 CONTACT CRIMP TOOL: M22520/1-01  
POSITIONER: M22520/1-02  
INSERTION/REMOVAL: M81969/14-04
- CONTACT INSTALLATION TOOLS:  
#16 CONTACT CRIMP TOOL: M22520/1-01  
POSITIONER: M22520/1-02  
INSERTION/REMOVAL: M81969/14-03.

PART NO.	CONTACTS SUPPLIED
RSE112064	-
SZ 12/12 CNS128900	SZ 16/16 CNS126900

TITLE  
RELAY SOCKET  
SIZE 12 & 16  
LOOSE STUD

DIMENSIONS	TOLERANCES	PROJECTION	<p><b>Amphenol Pcd</b> SPECIFICATION DRAWING</p> <p>ENGR R. SWAINE 9/20/05</p>
ANSI Y14.5M UNITS: INCHES ACAD FILE	.XX ±.01 .XXX ±.005 ANGLES ±2°		
ORIGINAL	<p>THIS DOCUMENT CONTAINS PROPRIETARY INFORMATION WHICH IS THE CONFIDENTIAL PROPERTY OF AMPHENOL PCD INC. PEABODY, MA</p>		<p>CHKD APPD</p>

SIZE	DWG NO.	REV
B	RSE112064	-
CODE: 58982	1:1	SHEET 1 OF 1

# Mouser Electronics

Authorized Distributor

Click to View Pricing, Inventory, Delivery & Lifecycle Information:

[Amphenol:](#)

[RSE112064](#)