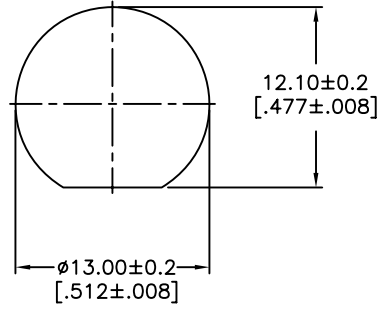
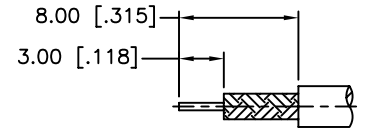


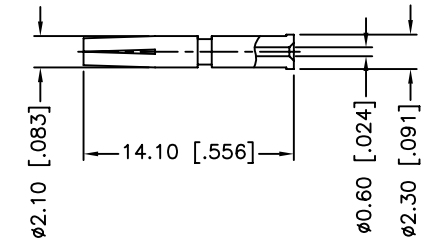
REV.	DATE	ECR NO.	DESCRIPTION
NC	09/15/10	XXXXXX	INITIAL RELEASE



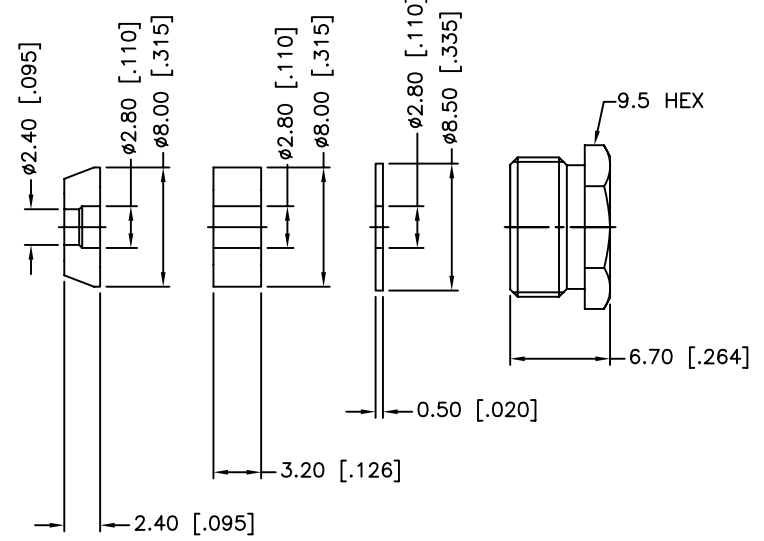
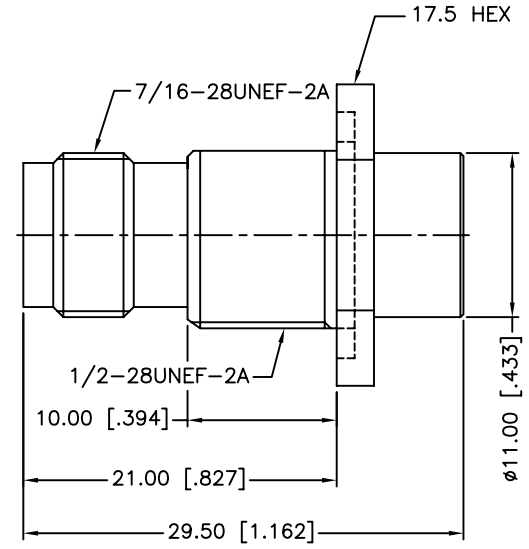
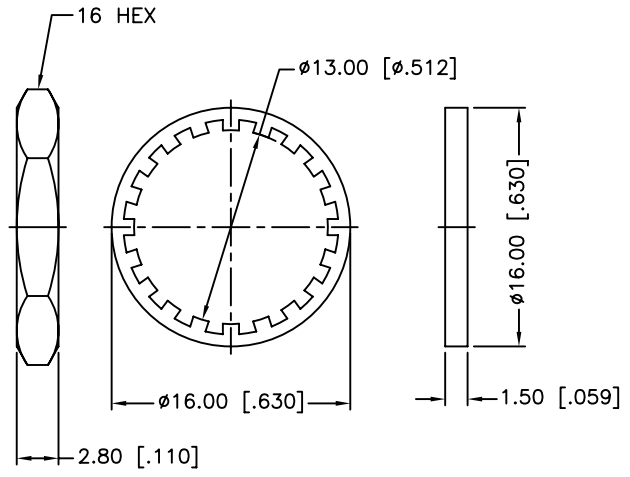
RECOMMENDED MOUNTING HOLE



RECOMMENDED CABLE STRIPPING DIM'S



MOUNTING HOLE



NOTE:  
1. CRIMPED CONTACT PIN  
HEX CRIMP SIZE .068"

QTY	DESCRIPTION	MATERIAL	FINISH
11	HEX NUT	BRASS	NICKEL
10	WASHER	BRASS	NICKEL
9	GASKET	SILICONE	RED
8	CONTACT PIN	PHOSPHOR BRONZE	GOLD
7	HEX NUT	BRASS	NICKEL
6	WASHER	BRASS	NICKEL
5	GASKET	SILICONE	RED
4	TAP HAT	BRASS	NICKEL
3	HOUSING	BRASS	NICKEL
2	INSULATOR	PTFE	NATURAL
1	BODY	BRASS	NICKEL

UNLESS OTHERWISE SPECIFIED DIMENSIONS ARE IN MILLIMETERS. DIMENSIONS IN [ ] ARE IN INCHES AND FOR CUSTOMER REFERENCE ONLY.

UNLESS OTHERWISE SPECIFIED TOLERANCES FOR MILLIMETERS ARE:  
0.5 - 8mm ± 0.20mm  
8 - 30mm ± 0.40mm  
30 - 120mm ± 0.50mm

UNLESS OTHERWISE SPECIFIED TOLERANCES FOR INCHES ARE:  
.020 - .315 ± ± 0.007"  
.315 - 1.180 ± ± 0.015"  
1.180 - 4.724 ± ± 0.020"

DO NOT SCALE DRAWING

APPROVALS	DATE
DRAWN M.ZHANG	09/15/10
CHECKED	
ISSUED	
SHEET 1 OF 1	
CAD FILE C:/CONNEX/122452.DWG	

**Amphenol Connex**

PART DESCRIPTION  
**TNC BULKHEAD CLAMP JACK  
(FOR RG-174/U,188A/U,316/U)**

PART NO.  
**122452**

DWG. NO. 122452.DWG	REV. NC	SIZE A	SCALE NA
---------------------	---------	--------	----------

# Mouser Electronics

Authorized Distributor

Click to View Pricing, Inventory, Delivery & Lifecycle Information:

[Amphenol:](#)

[122452](#)