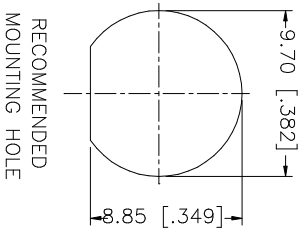
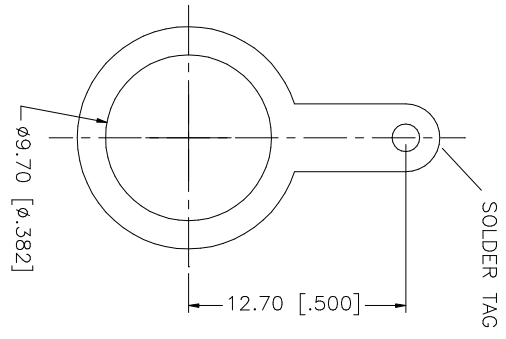
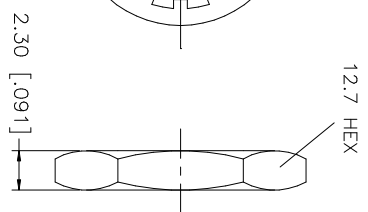
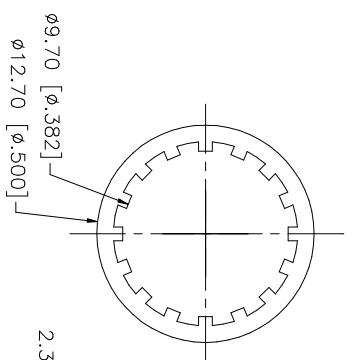
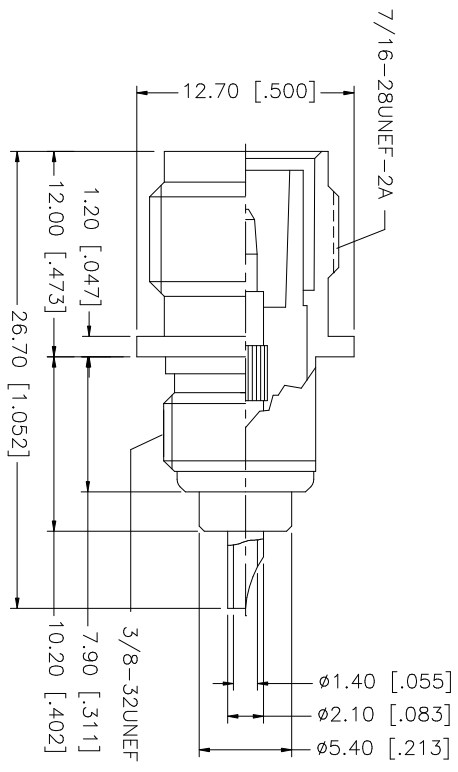


REV.	DATE	DESCRIPTION
A	02/21/06	UPDATE DRAWING FORMAT



NOTE:  
1. MAX. PANEL THICKNESS = 3.2mm

QTY	DESCRIPTION	MATERIAL	FINISH	FINISH	QTY	DO NOT SCALE DRAWING
1	INSULATOR BODY	BRASS	NICKEL	NICKEL	1	1.180 - 4.724 = ± 0.020"
1	INSULATOR	DELIRIN	NATURAL	NATURAL	1	.315 - 1.180 = ± 0.015"
1	CONTACT PIN	PHOS. BRONZE	GOLD	GOLD	1	.020 - .315 = ± 0.007"
1	LOCK WASHER	BRASS	NICKEL	NICKEL	1	30 - 120mm ± 0.50mm
1	HEX NUT	BRASS	NICKEL	NICKEL	1	8 - 30mm ± 0.40mm
1	SOLDER TAB	BRASS	NICKEL	NICKEL	1	0.5 - 8mm ± 0.20mm

UNLESS OTHERWISE SPECIFIED, DIMENSIONS ARE IN INCHES AND FOR CUSTOMER REFERENCE ONLY.	UNLESS OTHERWISE SPECIFIED, DIMENSIONS ARE IN MILLIMETERS.
TOLERANCES FOR MILLIMETERS ARE:	TOLERANCES FOR INCHES ARE:
0.5 - 8mm ± 0.20mm	0.5 - 8mm ± 0.20mm
8 - 30mm ± 0.40mm	8 - 30mm ± 0.40mm
30 - 120mm ± 0.50mm	30 - 120mm ± 0.50mm

APPROVALS	DATE
DRAWN G.R.S.	02/21/06
CHECKED	
ISSUED	

PART DESCRIPTION	PART NO.
TNC REVERSE POLARITY BULKHEAD RECEPTACLE JACK	122332RP

CAD FILE	DWG. NO.	REV.	SIZE	SCALE
C:/122/122332RP.DWG	122332RP.DWG	A	A	NA

**Amphenol Connex**

# Mouser Electronics

Authorized Distributor

Click to View Pricing, Inventory, Delivery & Lifecycle Information:

[Amphenol:](#)

[122332RP](#)