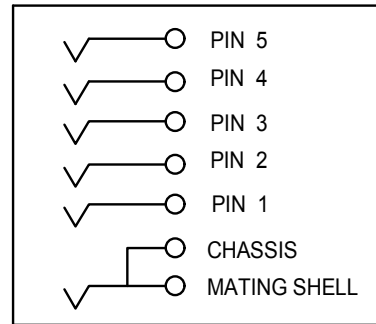
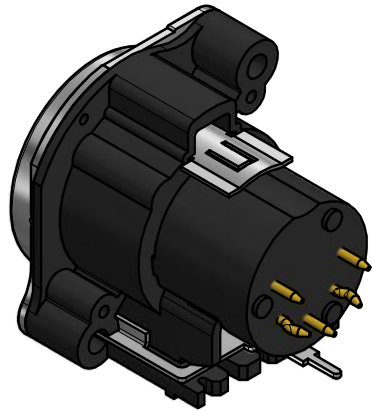
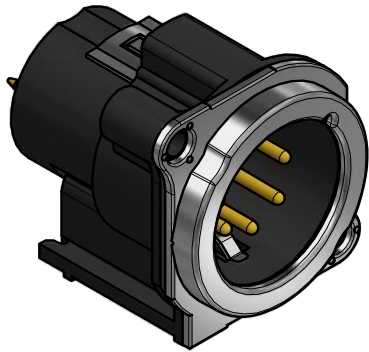
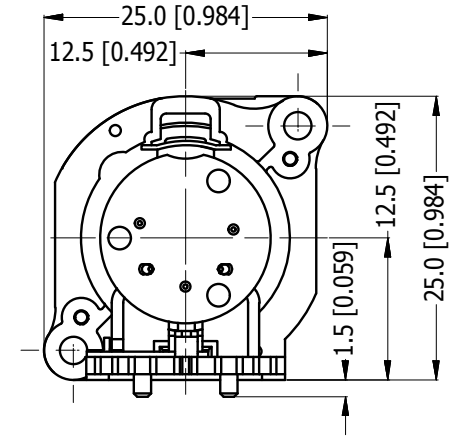
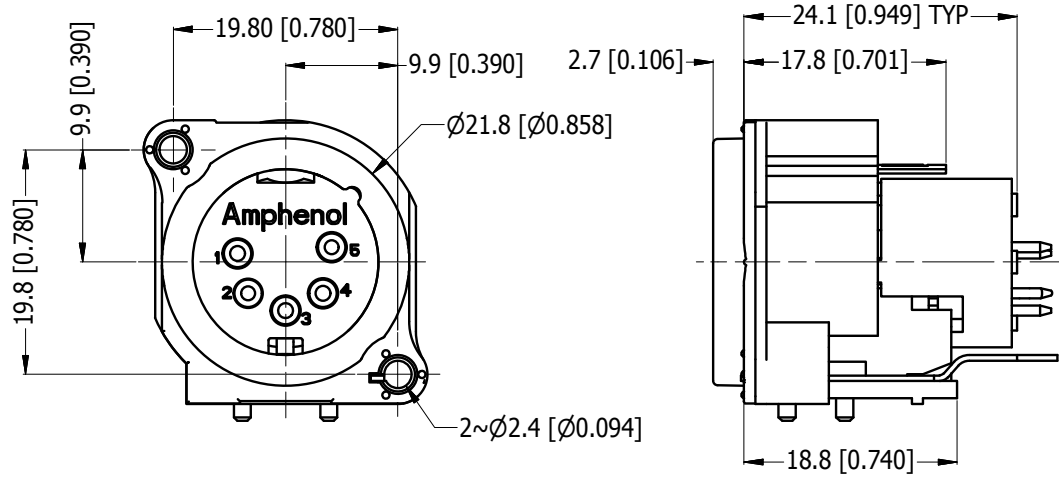


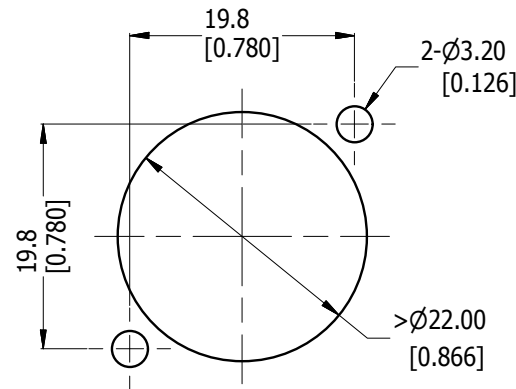
LEGEND = KEY PRODUCT CHARACTERISTICS



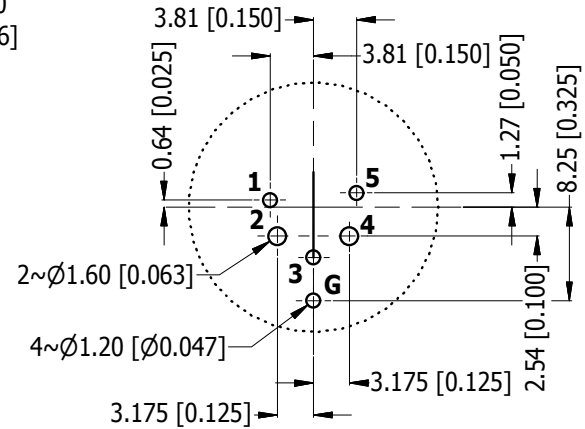
REVISION HISTORY				
REV	DESCRIPTION	DATE	BY	ECN
1	FIRST ISSUED	17-03-17	MH	----



SCHEMATIC CHART



PANEL CUT OUT  
REAR VIEW



PCB LAYOUT  
COMPONENT SIDE  
TOLERANCE: ± 0.05mm [.002"]

PART NUMBER TABLE	
PART NUMBER	METAL FLANGE FINISH
AC5MBV-AU-PRE	SATIN NICKEL
AC5MBVB-AU-PRE	MATT BLACK

UNLESS OTHERWISE SPECIFIED TOLERANCE TO BE	
LINEAR	ANGULAR
X ± 0.5	X' ± 1
X.X ± 0.2	X.X' ± 30'
X.XX ± 0.1	X.XX" ± 15"

BREAK ALL SHARP EDGES AND REMOVE ALL BURRS

DO NOT SCALE

THIS DOCUMENT IS THE PROPERTY OF AMPHENOL AUSTRALIA PTY. LTD.  
NO PART THEREOF MAY BE REPRODUCED AND USED WITHOUT THE PRIOR WRITTEN CONSENT OF THE OWNER

MATERIAL: **SEE COMPONENT**

DRN: M.H DATE: 14-03-17

CKD: M.H DATE: 17-03-17

APP'D: P.M DATE: 17-03-17

SCALE: **3:2** SIZE: **A4**

**Amphenol** Amphenol Australia Pty.Ltd,  
22 Industry Blvd, Carrum Downs, VIC 3201

TITLE: **AC5MBV/B-AU-PRE B-TYPE VERTICAL CUSTOMER DWG**

PART No. **SEE PN TABLE**

DRAWING No. **55011256-000-2** SHEET **2/2**

CAD FILE 55011256000111

# Mouser Electronics

Authorized Distributor

Click to View Pricing, Inventory, Delivery & Lifecycle Information:

[Amphenol:](#)

[AC5MBV-AU-PRE](#)