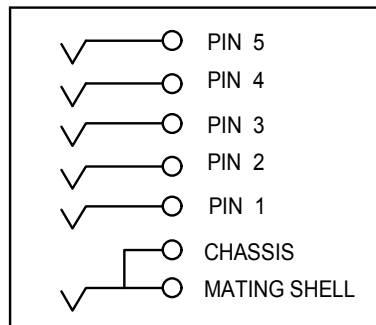
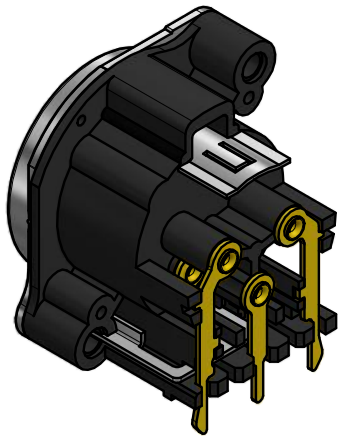
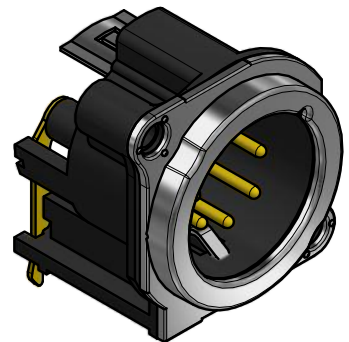
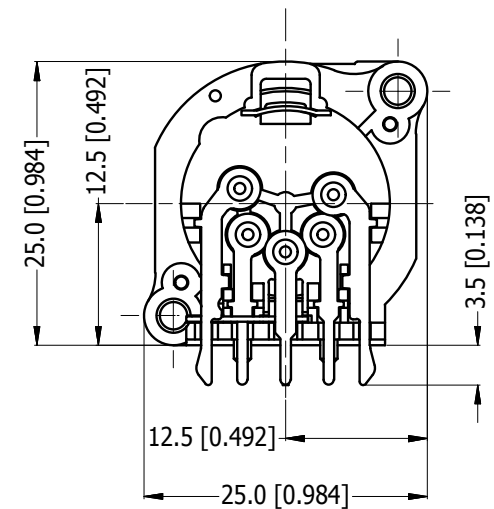
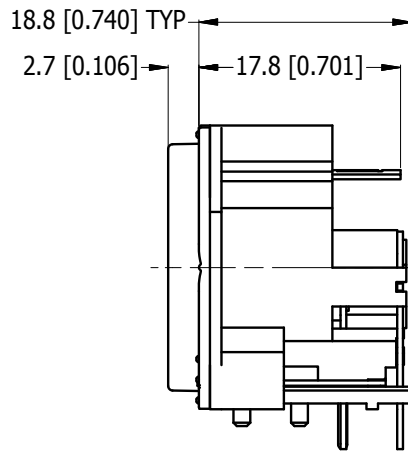
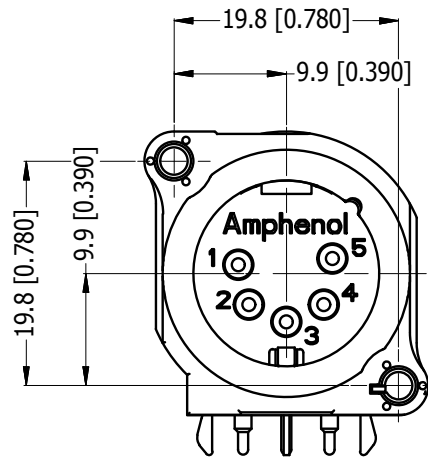
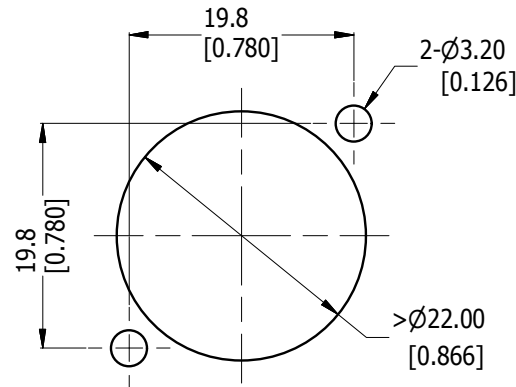


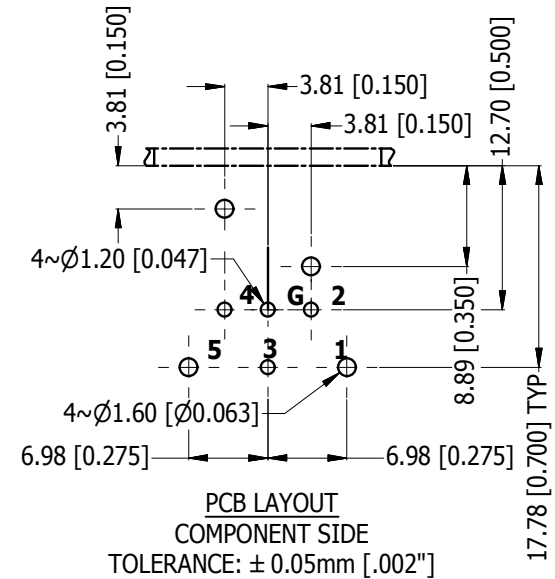
LEGEND = KEY PRODUCT CHARACTERISTICS



SCHEMATIC CHART



PANEL CUT OUT REAR VIEW



PCB LAYOUT COMPONENT SIDE TOLERANCE: ± 0.05mm [.002"]

REVISION HISTORY				
REV	DESCRIPTION	DATE	BY	ECN
1	FIRST ISSUED	17-03-17	MH	----

PART NUMBER TABLE	
PART NUMBER	METAL FLANGE FINISH
AC5MBH-AU-PRE	SATIN NICKEL
AC5MBHB-AU-PRE	MATT BLACK

UNLESS OTHERWISE SPECIFIED TOLERANCE TO BE	
LINEAR	ANGULAR
X ± 0.5	X' ± 1
X.X ± 0.2	X.X' ± 30'
X.XX ± 0.1	X.XX" ± 15"

THIS DOCUMENT IS THE PROPERTY OF AMPHENOL AUSTRALIA PTY. LTD. NO PART THEREOF MAY BE REPRODUCED AND USED WITHOUT THE PRIOR WRITTEN CONSENT OF THE OWNER

MATERIAL: **SEE COMPONENT**

DRN: M.H DATE: 14-03-17

CKD: M.H DATE: 17-03-17

APP'D: P.M DATE: 17-03-17

FINISH: **SEE COMPONENT**

DO NOT SCALE

DIMENSIONS IN MILLIMETRES

Amphenol Amphenol Australia Pty.Ltd, 22 Industry Blvd, Carrum Downs, VIC 3201

TITLE: **AC5MBH/B-AU-PRE B-TYPE HORIZ CUSTOMER DWG**

PART No. **SEE PN TABLE**

DRAWING No. **55011223-000-2** SHEET **2/2**

CAD FILE 55011223000111

SCALE: **3:2** SIZE: **A4**

Mouser Electronics

Authorized Distributor

Click to View Pricing, Inventory, Delivery & Lifecycle Information:

[Amphenol:](#)

[AC5MBH-AU-PRE](#)