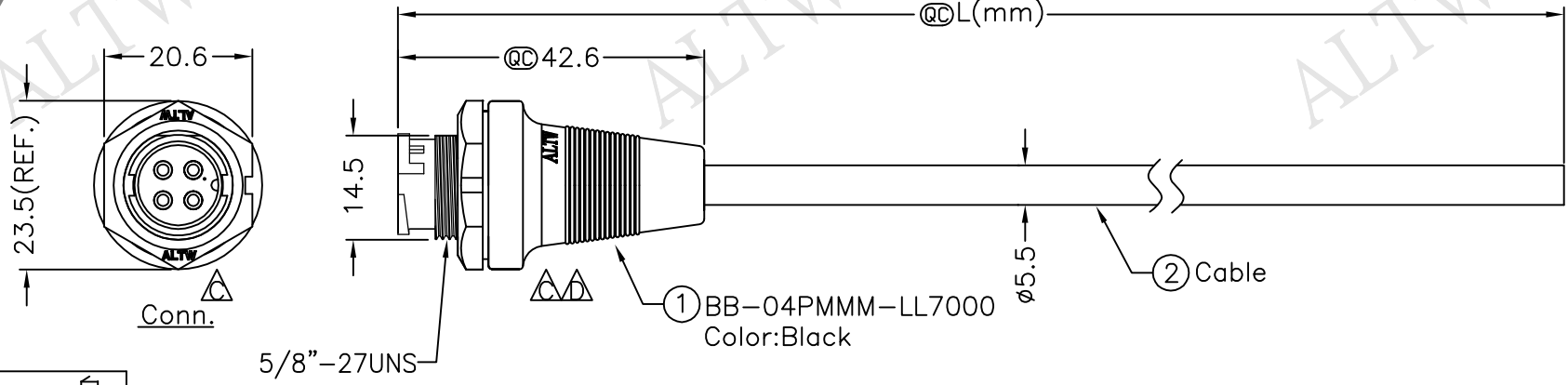
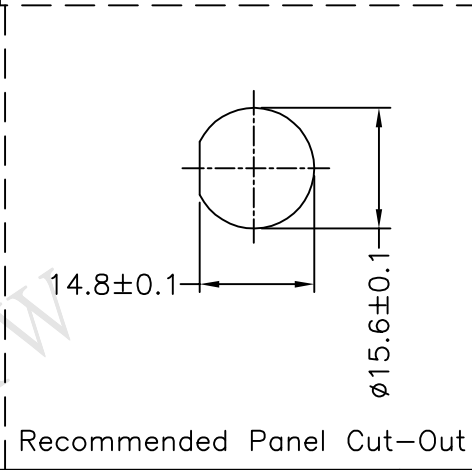
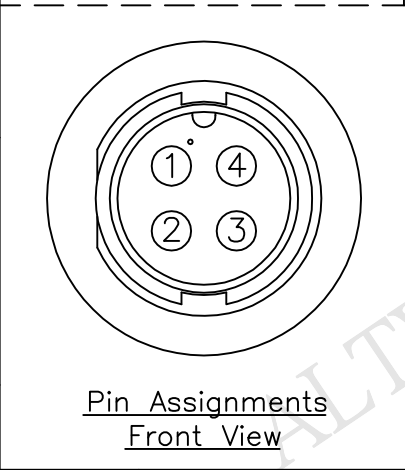


5	6	7	8
REV.	ECN NO.	DATE	DESCRIPTION
B	LEN-8B0353~356	2008/09/10	Shin Add Note
C	LEN1610318~321	2016/01/20	Ruru Change Logo & Note
D	LEN1650319~322	2016/05/10	Ruru Modify Logo Position



4	White	白
3	Black	黑
2	Blue	藍
1	Brown	棕
Conn.	Wire Color	
Pin Out		



BB-04PMMM-LL7AXX  
 XX:01~99Meter  
 01:01Meter  
 02:02Meters  
 ...  
 99:99Meters  
 Cable Length(L):01~99Meters

- Note:
- \* @@Important Dimensions To Check.
  - \* Waterproof Rate: IP67
  - \* Housing: Black,Nylon+GF
  - \* Male Pin: Copper Alloy,Gold Plated
  - \* Nut: Black,Nylon+GF
  - \* Gasket: Black,EPDM
  - \* Cable: UL2464 20AWG\*4C+Drain+Al/My Black,UV Resistant,OD=5.5
  - △\* Use with waterproof cap or dust cap Panel Thickness Max: 2.5mm
  - △\* Use without waterproof cap or dust cap Panel Thickness Max: 3.5mm
  - △\* Cable Length Tolerance: 01M: ±40mm  
 02M~05M: ±60mm  
 06M~10M: ±100mm  
 11M~30M: ±200mm  
 31M~99M: ±500mm



UNIT:mm		TITLE
TOLERANCE		Standard,Cable Lock 4Pin M Conn. M Pin
±0.5		SCALE Free SHEET 1 OF 1
		REV. D SIZE A4 @C :Inspection Item

**Amphenol LTW**  
 安費諾亮泰企業股份有限公司

ITEM NO	DRAWN BY	DATE
	Ruru	2016/05/10
DWG NO	CHECKED BY	DATE
BB-04PMMM-LL7AXX	Rita	2016/05/10
CUSTOMER	APPROVED BY	DATE
ALTW	Lisa	2016/05/10

THIS DOCUMENT IS SUBJECT TO CHANGE WITHOUT NOTICE. IT IS CONFIDENTIAL AND A PROPERTY OF Amphenol LTW. DISCLOSURE TO THIRD PARTY HAS TO BE AUTHORIZED BY Amphenol LTW.

F  
E  
D  
C  
B  
A

1 2 3 4 5 6 7 8

# Mouser Electronics

Authorized Distributor

Click to View Pricing, Inventory, Delivery & Lifecycle Information:

[Amphenol:](#)

[BB-04PMMM-LL7A01](#) [BB-04PMMM-LL7A02](#) [BB-04PMMM-LL7A05](#) [BB-04PMMM-LL7A10](#)