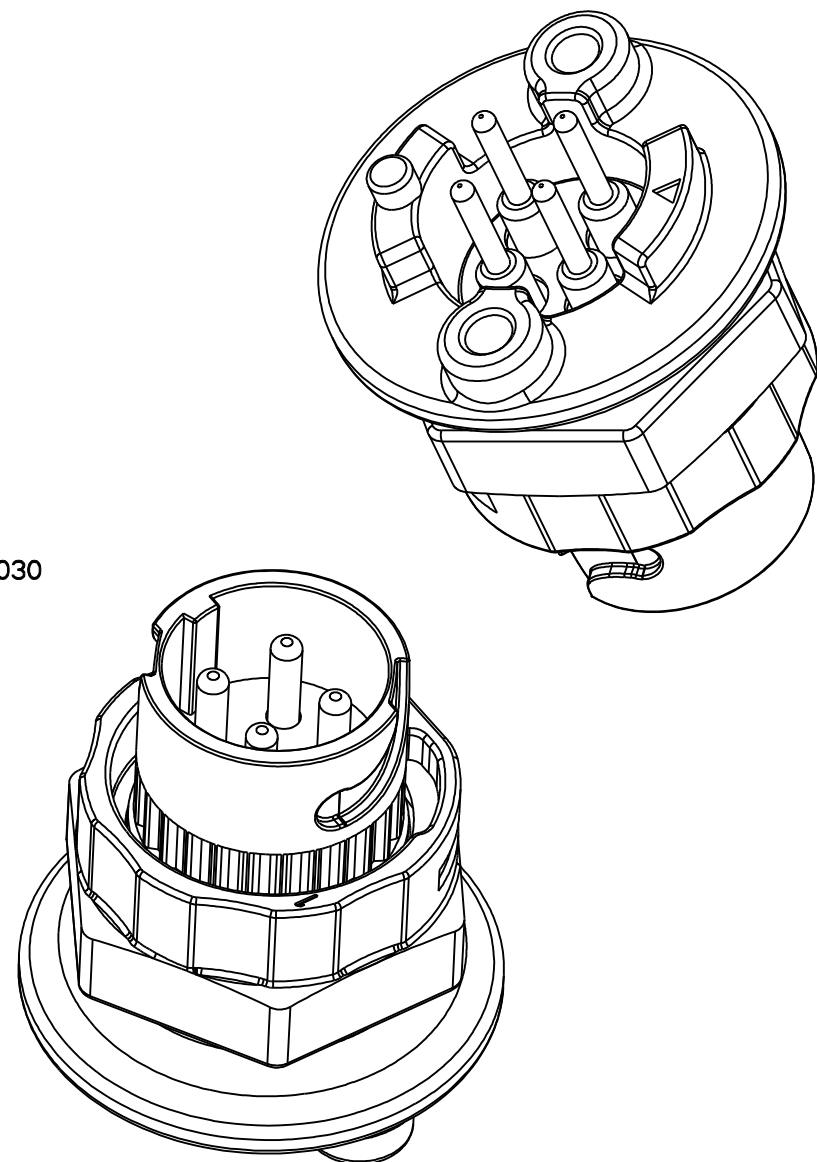
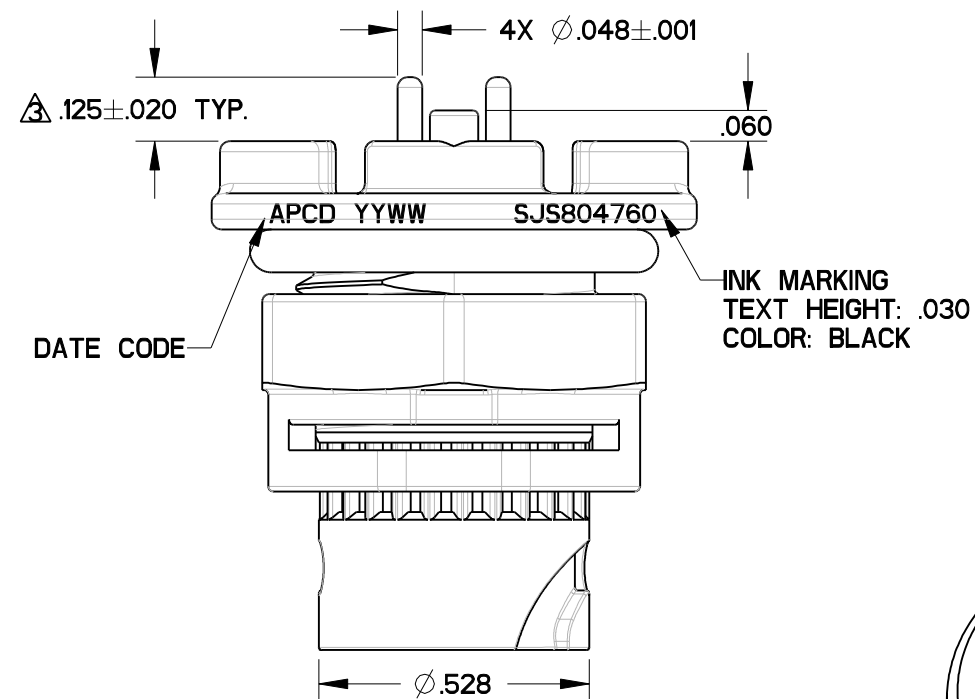
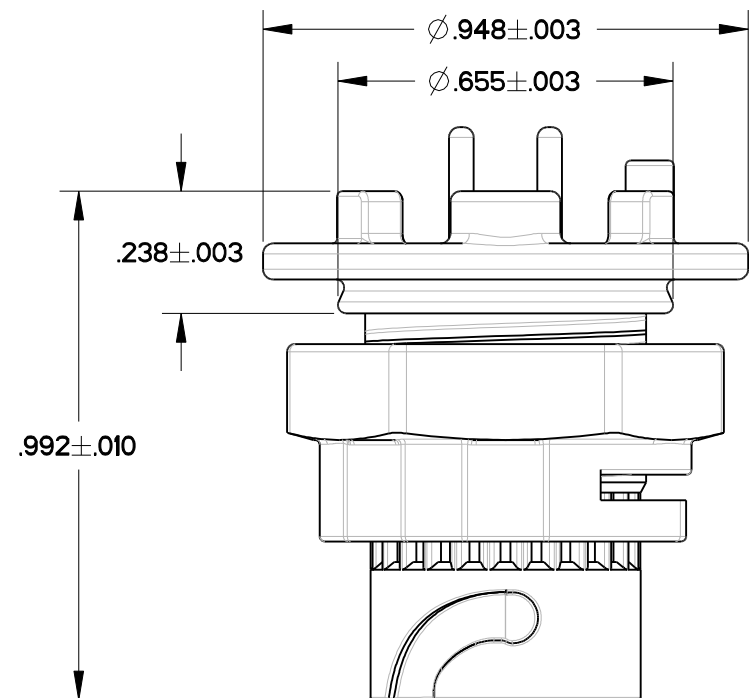
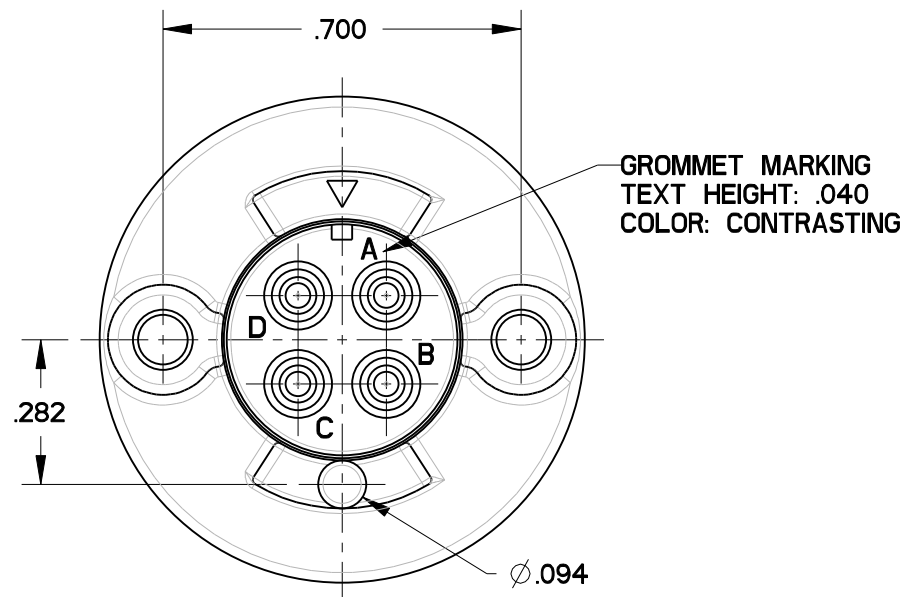


SJS804760

TABLE I - PART NUMBER SCHEME		
APCD P/N	CONTACTS SUPPLIED	PART MARKING
SJS804760	NONE	SJS804760
SJS804761	(4) M39029/58-364	
SJS840762	(4) CNP8310160	

REV	ECN	APP'D
1		
2		
3		



NOTES:

- MATERIALS:
 OUTER HOUSING: POLYETHERIMIDE
 INNER HOUSING: POLYETHERIMIDE
 JAM NUT: PA66
 CONTACT RETAINER: STAINLESS STEEL
 O-RING: SILICON RUBBER
 GROMMET: SILICON RUBBER PER A.A-59588
- PART ACCEPTS M39029/58-364 PIN CONTACTS (-1) OR PC TAIL CONTACTS AS SHOWN (-2)
- PARTS MATES WITH SJS840410/411
- SUPPLIED WITH DUST CAP
- THE PRODUCT ESTIMATED WEIGHT:
 6.5g (LESS CONTACTS); 7.5g (WITH PC TAIL CONTACTS)

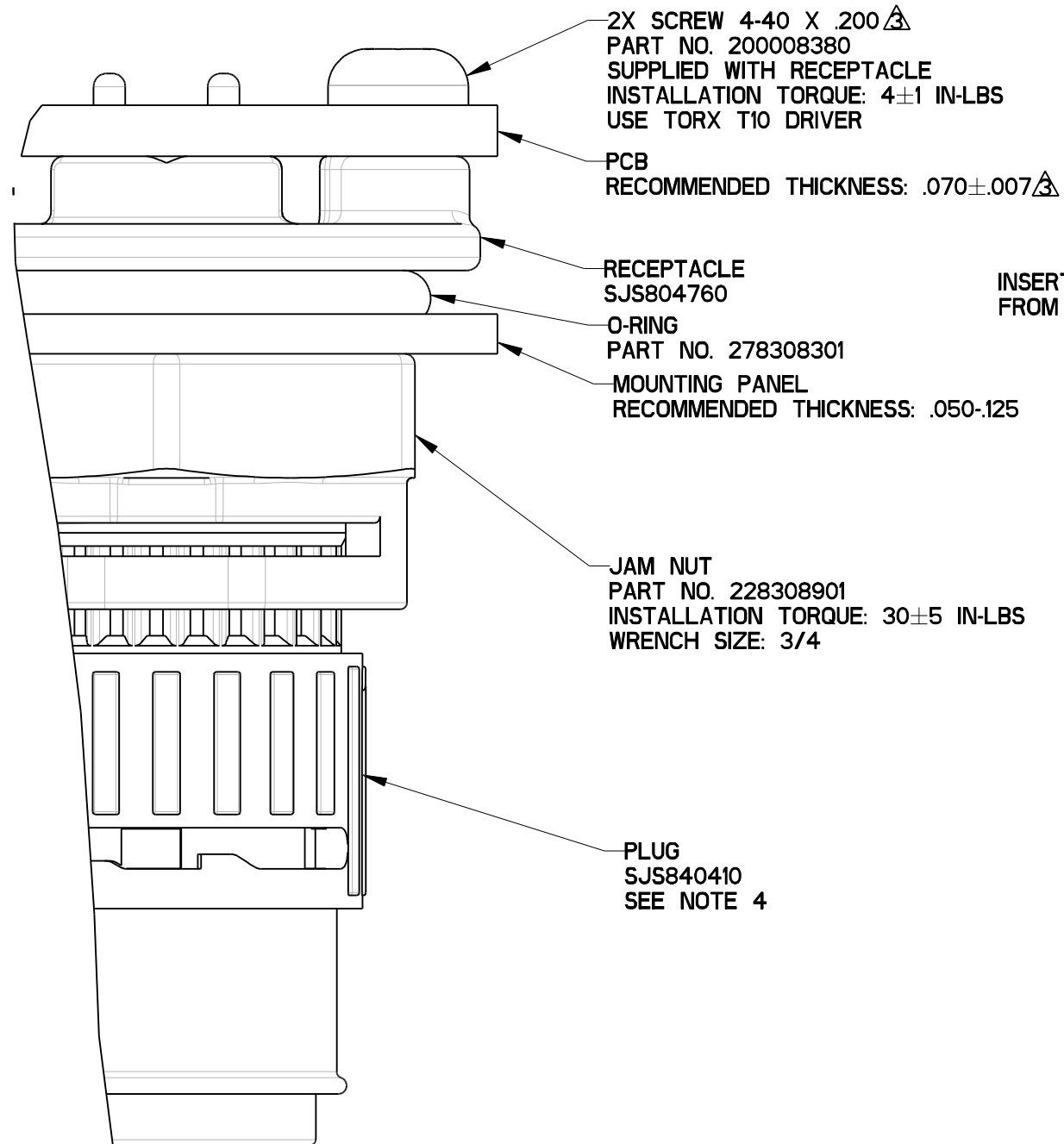
DIMENSIONS ANSI Y14.5M UNITS: INCHES Pro/E FILE	TOLERANCES .XX ± 0.01 .XXX ± 0.005 ANGLES $\pm 0.5^\circ$	PROJECTION 	TITLE Amphenol Pcd SPECIFICATION DRAWING		
			ENGR ANDREW.WANG Feb-18-16		
ORIGINAL	THIS DOCUMENT CONTAINS PROPRIETARY INFORMATION WHICH IS THE CONFIDENTIAL PROPERTY OF AMPHENOL PCD INC., BEVERLY, MA	CHKD APPD	SIZE B	DWG NO. SJS804760	REV 3
			CODE: 58982	SCALE: 8:3	SHEET 1 OF 2

SJS804760

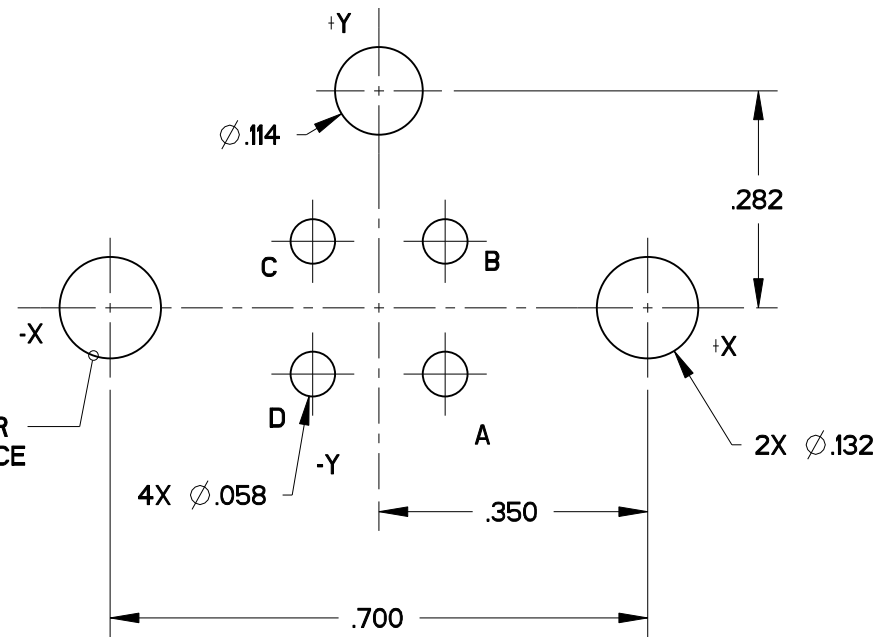
SJS804760

CONTACT HOLE LOCATIONS		
CONTACT NUMBER	LOCATION	
	X AXIS	Y AXIS
A	.0863	-.0863
B	.0863	.0863
C	-.0863	.0863
D	-.0863	-.0863

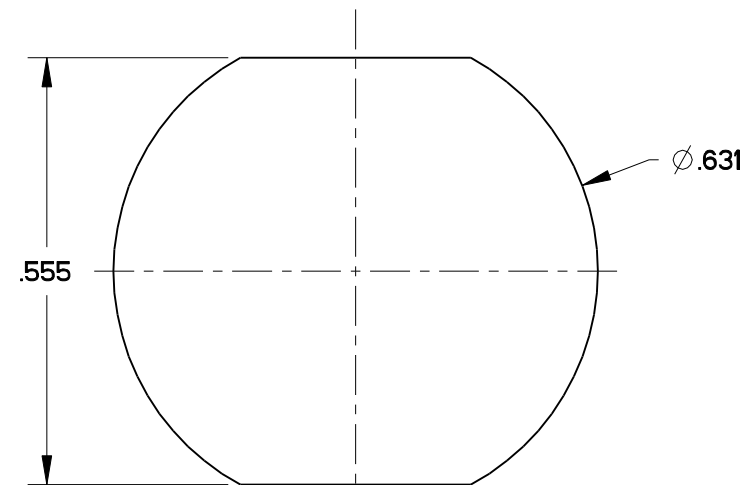
PCB ARRANGEMENT
RECOMMENDED DIMENSIONAL TOLERANCE
.XXX±.002



INSERT CONNECTOR
FROM THIS SURFACE



PIN LOCATION
ON PCB



MOUNTING PANEL CUT OUT

SIZE B	DWG NO. SJS804760	REV 3
CODE: 58982	SCALE: 4:1	SHEET 2 OF 2

Mouser Electronics

Authorized Distributor

Click to View Pricing, Inventory, Delivery & Lifecycle Information:

[Amphenol:](#)

[SJS804761](#)