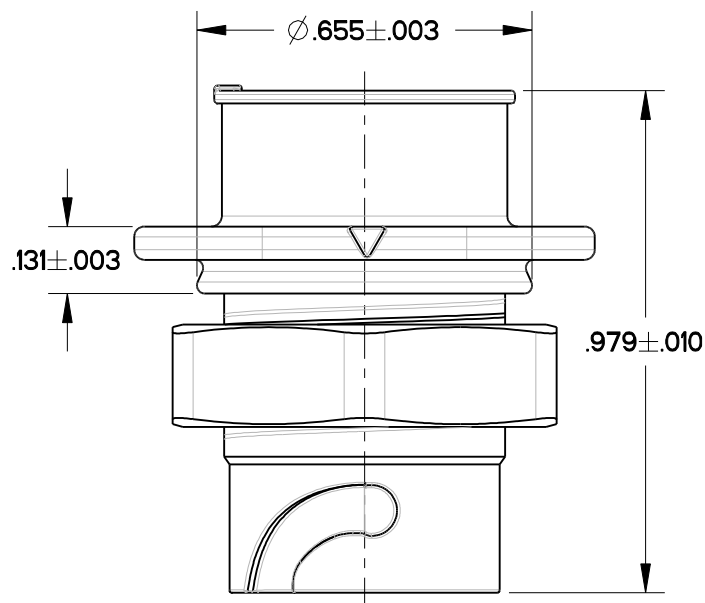
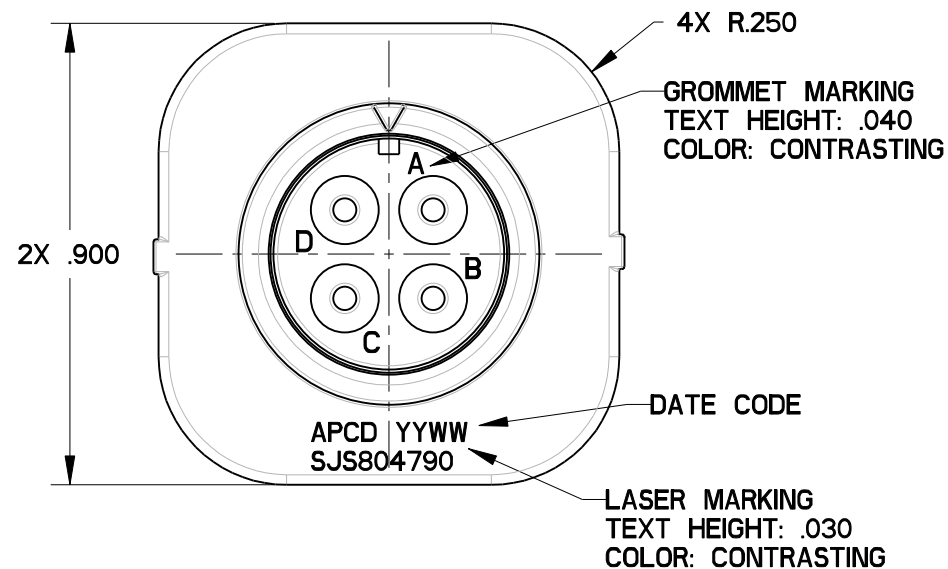


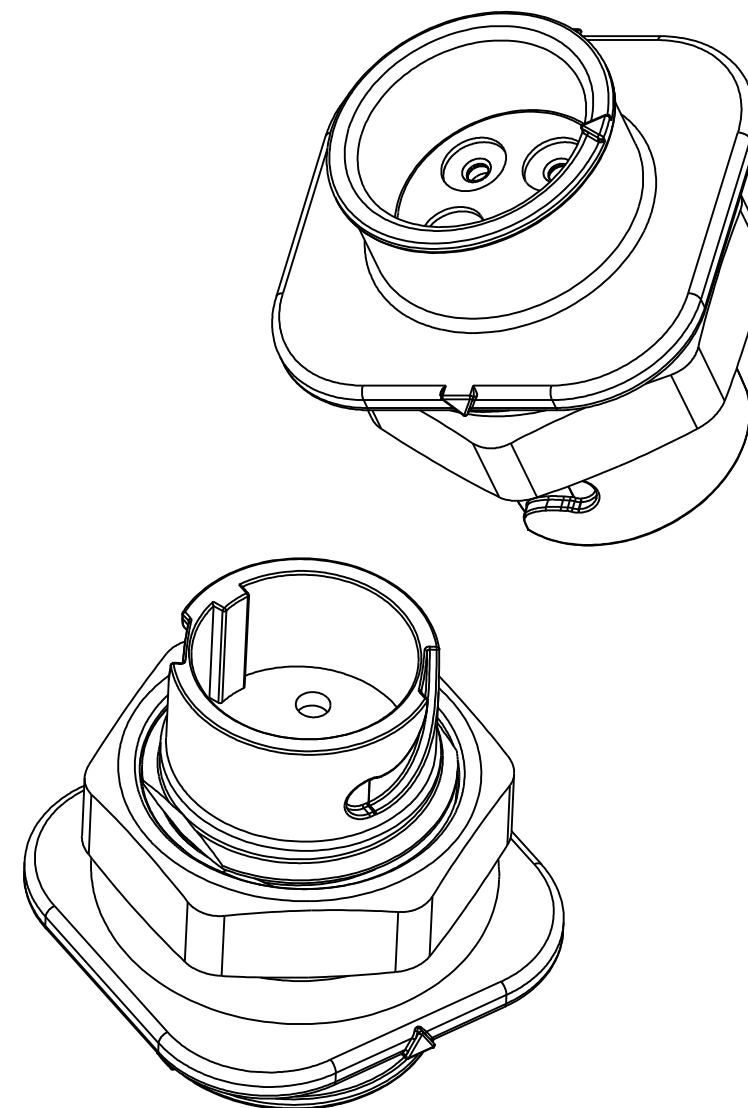
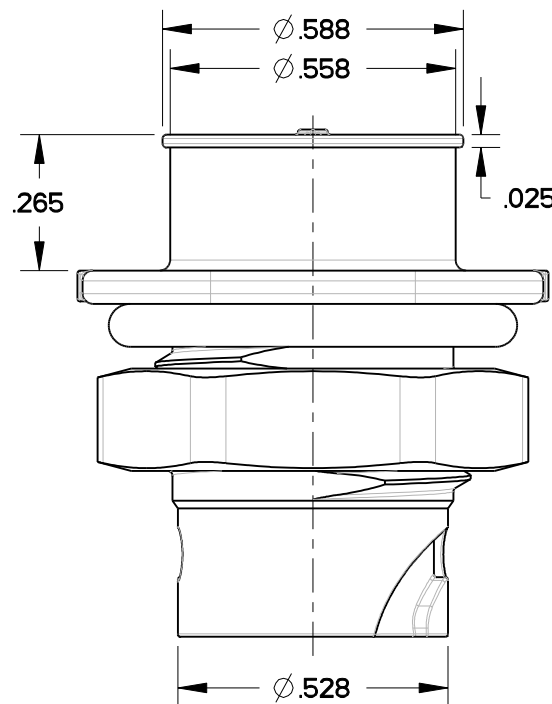
SJS804790

REV	ECN	APP'D
1		
2		
3		

TABLE I - PART NUMBER SCHEME		
APCD P/N	CONTACTS SUPPLIED	PART MARKING
SJS804790	NONE	SJS804790
SJS804791	(4) M39029/58-364	



O-RING NOT SHOWN FOR VERTICAL MOUNTING DIMENSION CLARIFICATION



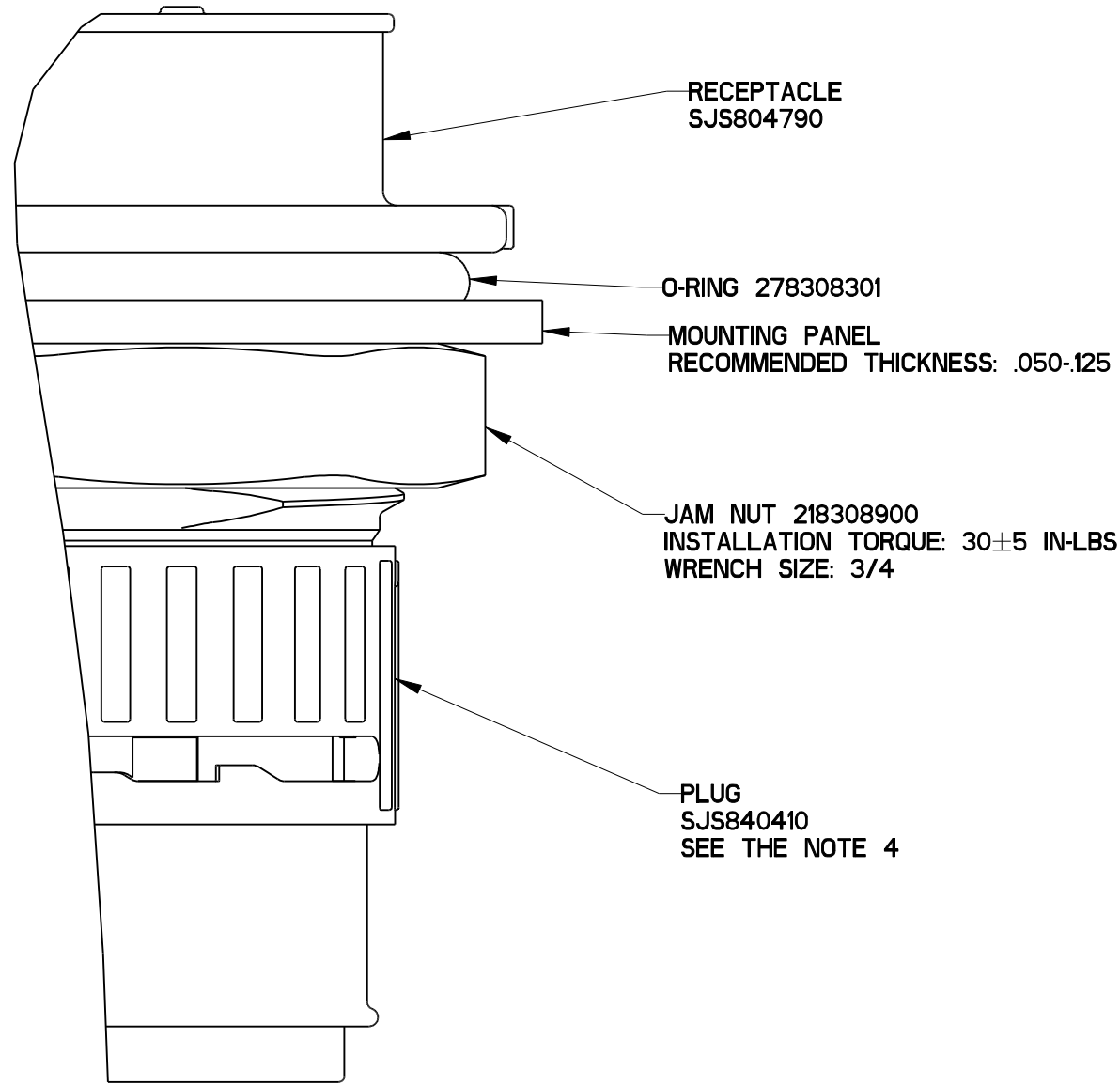
NOTES:

- MATERIALS:
 OUTER HOUSING: POLYETHERIMIDE
 INNER HOUSING: POLYETHERIMIDE
 JAM NUT: ALUMINUM ALLOY
 CONTACT RETAINER: STAINLESS STEEL
 O-RING: SILICON RUBBER
 GROMMET: SILICONE RUBBER PER A.A-59588
- PART ACCEPTS M39029/58-364 PIN CONTACTS
- PARTS MATES WITH SJS840410/411
- SUPPLIED WITH DUST CAP
- THE PRODUCT ESTIMATED WEIGHT: 6.5g (LESS CONTACTS)

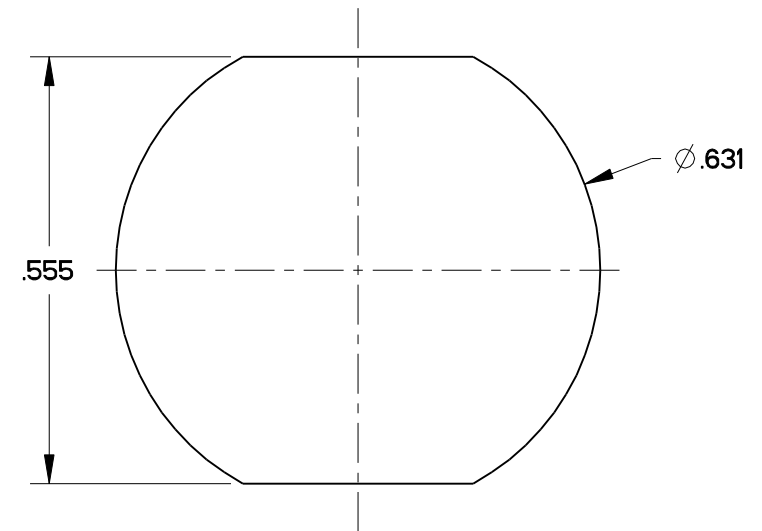
DIMENSIONS ANSI Y14.5M UNITS: INCHES Pro/E FILE	TOLERANCES .XX ±0.01 .XXX ±0.005 ANGLES ±1.0°	PROJECTION 	Amphenol Pcd SPECIFICATION DRAWING		TITLE JAM NUT REAR MOUNT RECEPTACLE SHELL SIZE 8 SJS LUMINUS 4 POS SIZE 16		
			ENGR ANDREW.WANG Feb-18-16	SIZE B	DWG NO. SJS804790	REV 3	
ORIGINAL	THIS DOCUMENT CONTAINS PROPRIETARY INFORMATION WHICH IS THE CONFIDENTIAL PROPERTY OF AMPHENOL PCD INC., BEVERLY, MA			CHKD	CODE: 58982	SCALE: 8:3	SHEET 1 OF 2

SJS804790

SJS804790



MOUNTING INSTRUCTIONS



MOUNTING PANEL CUT OUT

SJS804790

SJS804790

SIZE B	DWG NO. SJS804790	REV 3
CODE: 58982	SCALE: 4:1	SHEET 2 OF 2

Mouser Electronics

Authorized Distributor

Click to View Pricing, Inventory, Delivery & Lifecycle Information:

[Amphenol:](#)

[SJS804791](#)