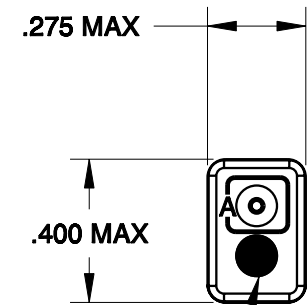
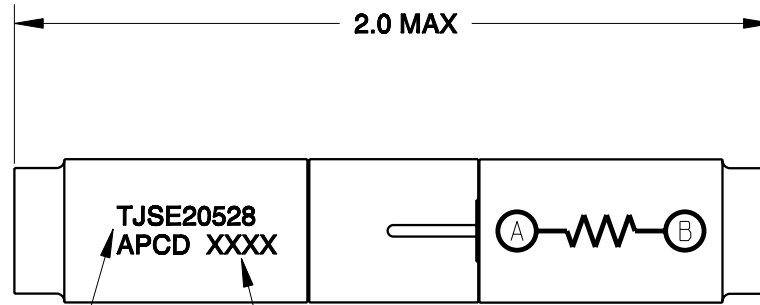


REV	ECN	APP'D
1		

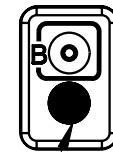


SEAL HOLE
SILICONE RTV



WHITE MARKING
.06 HT

DATE CODE



SEAL HOLE
SILICONE RTV

NOTES:

1. MATERIALS:

HOUSING: POLYETHERIMIDE, COLOR BLACK
GROMMET: SILICONE ELASTOMER, COLOR BLUE
INTERNAL CONTACT: COPPER ALLOY, GOLD PLATED,
PER MIL-G-45204, TYPE I, GRADE C, CLASS I.
CONTACT RETAINER: STAINLESS STEEL

2. SPLICE ACCEPTS (2) MATING M39029/1-101 CONTACTS (NOT INCLUDED)

3. PART COMPLIES TO ALL REQUIREMENTS PER MIL-T-81714.

4. RESISTOR: 2K Ω , 1/4W

DIMENSIONS ANSI Y14.5M UNITS: INCHES Pro/E FILE	TOLERANCES .XX ± 0.01 .XXX ± 0.005 ANGLES $\pm 2.0^\circ$	PROJECTION 	Amphenol Pcd SPECIFICATION DRAWING		TITLE WIRE SPLICE, ELECTRONIC RESISTOR, 2K Ω , 1/4W SIZE 20		
			ENGR	D. LANG 03/24/06	SIZE	DWG NO.	REV
THIS DOCUMENT CONTAINS PROPRIETARY INFORMATION WHICH IS THE CONFIDENTIAL PROPERTY OF AMPHENOL PCD INC., PEABODY, MA			CHKD	A	TJSE20528	1	
			APPD	CODE: 58982	SCALE: 2:1	SHEET 1 OF 1	

Mouser Electronics

Authorized Distributor

Click to View Pricing, Inventory, Delivery & Lifecycle Information:

[Amphenol:](#)

[TJSE20528](#)