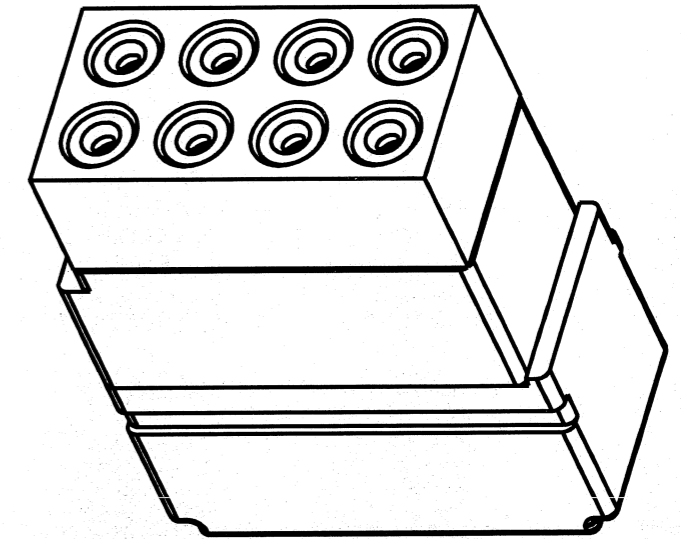
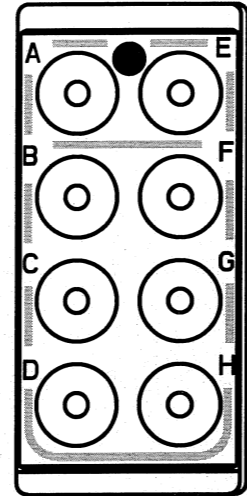


REV	ECN	APP'D
P	2451	JR 08/15/95
Q	5569	JT 1/4/05
R	5748	JT 12/2/05
S	6460	<i>AT-1/5/10</i>

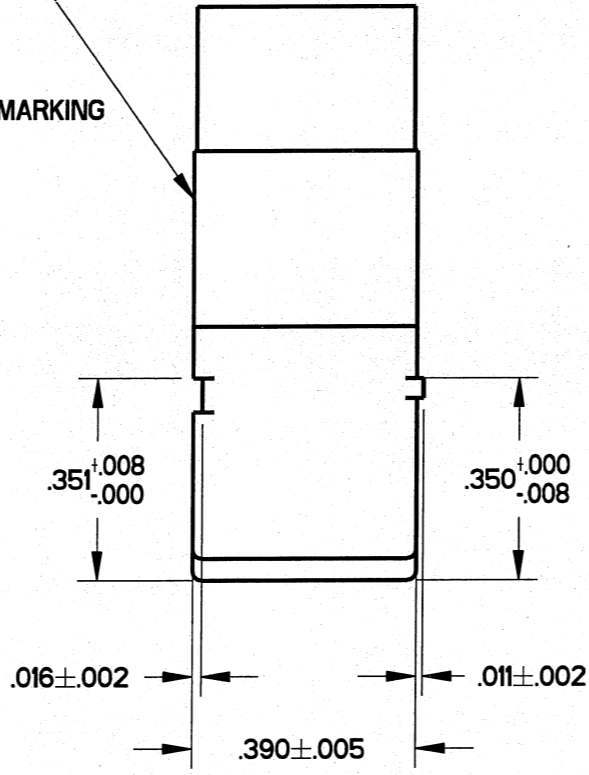
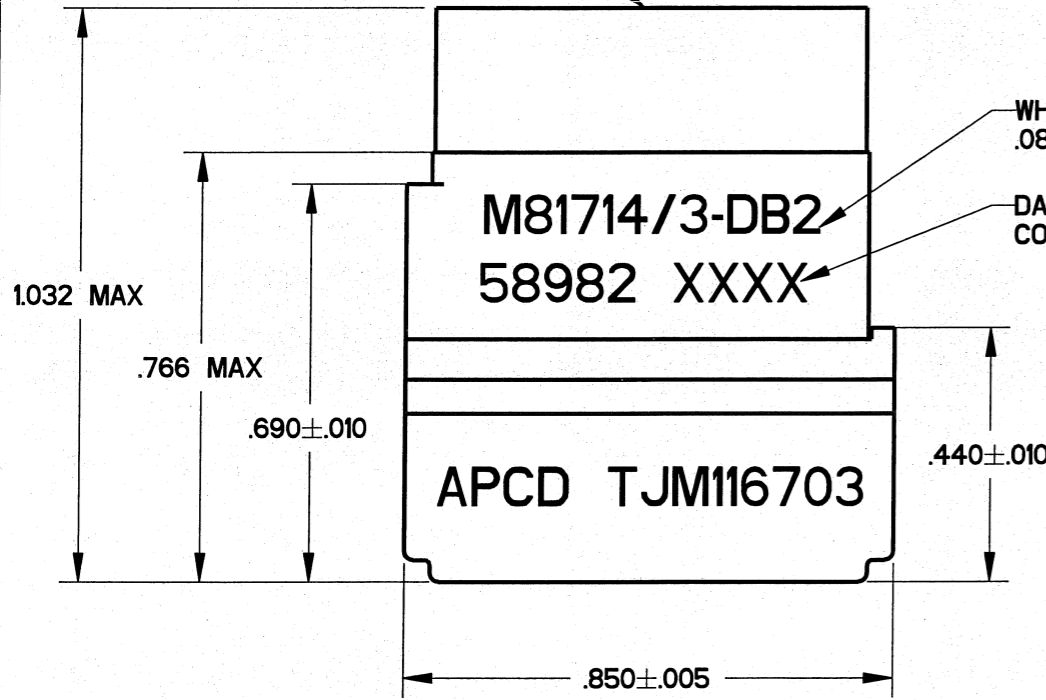


GROMMET

HOUSING

WHITE MARKING  
.08 HT

DATE  
CODE



TJM116603

TJM116603

M81714/3-DB2  
58982 XXXX

APCD TJM116703

NOTES

- PERFORMANCE:
  - A) MEETS PERFORMANCE AND ENVIRONMENTAL REQUIREMENTS SAE AS81714. MILITARY QUALIFIED
  - B) MODULES ARE TO BE MOUNTED INTO RACK ASSEMBLY M81714/5 OR /16 OR COMMERCIAL EQUIVALENT.
  - C) DIELECTRIC WITHSTANDING VOLTAGE: 1500 VRMS AT SEA LEVEL, 200 VRMS AT 100,000 FEET.
  - D) OPERATING TEMPERATURE: -65 °C TO 200 °C.
  - E) CURRENT RATING: 13 AMPS
- MATERIALS:
  - A) HOUSING - POLYETHERIMIDE, COLOR: BLACK.
  - B) GROMMET - SILICONE ELASTOMER, COLOR: BLUE.
  - C) INTERNAL CONTACTS - COPPER ALLOY, GOLD PLATED.
  - D) CONTACT RETAINERS - STAINLESS STEEL.

APCD P/N	SUPPLIED		MARKING	
	PINS	PLUGS	APCD QPL NO.	MIL NO.
TJM116603	----	----	TJM116703	M81714/3-DB2
TJM116703	9	2		

DIMENSIONS ANSI Y14.5M UNITS: INCHES Pro/E FILE	TOLERANCES .XX ±0.01 .XXX ±0.008 ANGLES ±10°	PROJECTION 	<b>Amphenol Pcd</b> SPECIFICATION DRAWING		TITLE TERMINAL JUNCTION MODULE SZ 16 FEEDBACK, B2 BUS		
			ENGR S. STONE 12/28/04	SIZE <b>B</b> DWG NO. <b>TJM116603</b>		REV <b>S</b>	
ORIGINAL 	THIS DOCUMENT CONTAINS PROPRIETARY INFORMATION WHICH IS THE CONFIDENTIAL PROPERTY OF AMPHENOL PCD INC. BEVERLY, MA, USA		CHKD <i>[Signature]</i> 1/5/2010	CODE: 58982		SHEET 1 OF 1	
			APPD <i>[Signature]</i> 1/5/2010				

# Mouser Electronics

Authorized Distributor

Click to View Pricing, Inventory, Delivery & Lifecycle Information:

[Amphenol:](#)

[TJM116703](#) [TJM116603](#)