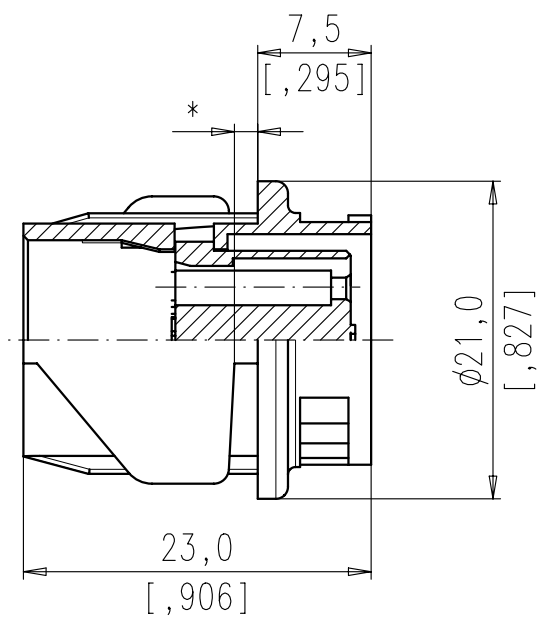


Copying of this document and giving it to others and the use or communication of the contents thereof, are forbidden without express authority. Offenders are liable to the payment of damages. All rights are reserved in the event of the grant of a patent or the registration of the utility model or design.



\* max. Wandstärke 1,5<sup>+0,25</sup> mm  
 max. panel thickness 1,5<sup>+0,25</sup> mm

Montageausschnitt  
Panel Cutout



|  |                                     |   |               |               |                  |                  |               |                  |                  |                     |    |
|--|-------------------------------------|---|---------------|---------------|------------------|------------------|---------------|------------------|------------------|---------------------|----|
| Polzahl<br>number of contacts                                | Norm<br>standard                    | 3   | 4             | 5             | 5                | 6                | 7             | 7                | 8                | 12                  | 14 |
| Kontaktanordnung nach DIN<br>contact arrangement acc. to DIN |                                     | 41524<br>60130-9  | -             | -             | 41524<br>60130-9 | 45322<br>60130-9 | -             | 45329<br>60130-9 | 45326<br>60130-9 | -                   | -  |
| Kontaktanordnung nach IEC<br>contact arrangement acc. to IEC |                                     |   |               |               |                  |                  |               |                  |                  |                     |    |
| Bemessungsspannung<br>rated voltage                          | IEC 60664-1                         | 300V =  |               | 100V =        |                  | 300V =           |               | 100V =           |                  | 150V =              |    |
| Bemessungsspannung<br>rated voltage                          | UL 1977                             | 250V  |               |               |                  |                  |               |                  |                  |                     |    |
| Bemessungsspannung<br>rated voltage                          | UL 1977                             | 60V   |               |               |                  |                  |               |                  |                  |                     |    |
| Bemessungs-Stoßspannung<br>rated impulse withstand voltage   | IEC 60664-1                         | 1500V   |               | 1200V         |                  | 1500V            |               | 1200V            |                  |                     |    |
| Verschmutzungsgrad<br>pollution degree                       | IEC 60664-1                         | 1   |               |               |                  |                  |               |                  |                  |                     |    |
| Überspannungskategorie<br>installation category              | IEC 60664-1                         | I   |               |               |                  |                  |               |                  |                  |                     |    |
| Isolierstoffgruppe<br>insulation group                       | IEC 60664-1                         | II, 400 ≤ CTI < 600   |               |               |                  |                  |               |                  |                  |                     |    |
| Strombelastbarkeit<br>current rating                         | IEC 60512-5-2<br>Test 5b<br>UL 1977 | 5A / +40°C / +104°F   |               |               |                  |                  |               |                  |                  | 3A / +40°C / +104°F |    |
| Isolationswiderstand<br>insulation resistance                | IEC 60512-3-1<br>Test 3a            | >10 <sup>10</sup> Ω   |               |               |                  |                  |               |                  |                  |                     |    |
| Durchgangswiderstand<br>contact resistance                   | IEC 60512-2-1<br>Test 2a            | < 5m Ω  |               |               |                  |                  |               |                  |                  |                     |    |
| Prüfklasse<br>climatic category                              | IEC 60068-1                         | 40 / 100 / 56   |               |               |                  |                  |               |                  |                  |                     |    |
| Temperaturbereich<br>temperature range                       | IEC 60068-1                         | -40°C ... +100°C<br>-40°F ... +212°F  |               |               |                  |                  |               |                  |                  |                     |    |
| IP-Schutzart<br>IP-degree                                    | IEC 60529                           | IP 40   |               |               |                  |                  |               |                  |                  |                     |    |
| Steck- und Ziehkraft<br>insertion and withdrawal forces      | IEC 60512-13-2<br>Test 13b          | 25N<br>90.oz  | 30N<br>110.oz | 35N<br>125.oz | 50N<br>180.oz    | 55N<br>200.oz    | 60N<br>220.oz | 50N<br>180.oz    |                  |                     |    |
| Mechanische Lebensdauer<br>mechanical operation              | IEC 60512-9-1<br>Test 9a            | silber/silver ≥ 500 Steckzyklen/mating cycles<br>gold/gold ≥ 1000 Steckzyklen/mating cycles   |               |               |                  |                  |               |                  |                  |                     |    |
| Werkstoff Gehäuse<br>housing material                        |                                     | Überwurfmutter Messing, Zugentlastung Zink-Druckguß, Oberfläche vernickelt<br>coupling ring brass, strain relief, die cast, nickel plated         |               |               |                  |                  |               |                  |                  |                     |    |
| Werkstoff Kontaktträger<br>dielectric material               |                                     | Thermoplast<br>thermoplastic  |               |               |                  |                  |               |                  |                  |                     |    |
| Kontaktoberfläche<br>contact plating                         |                                     | versilbert/vergoldet<br>silver plated/gold plated   |               |               |                  |                  |               |                  |                  |                     |    |
| Anschlussstechnik<br>termination technique                   |                                     | crimpen<br>crimp  |               |               |                  |                  |               |                  |                  |                     |    |
| Anschlussquerschnitt<br>wire gauge                           |                                     | crimp: 2-6 pol(ausschließlich/excluding 5S): 0,09-1,00mm <sup>2</sup> / 28-18 AWG<br>crimp 5S, 7, 7S, 8 pol: 0,09-0,75mm <sup>2</sup> / 28-20 AWG |               |               |                  |                  |               |                  |                  |                     |    |
| Brennbarkeit<br>flammability                                 |                                     | UL 94 V0  |               |               |                  |                  |               |                  |                  |                     |    |
| Verriegelung<br>locking system                               |                                     | Bajonett<br>bayonet   |               |               |                  |                  |               |                  |                  |                     |    |

|                  |                               |                                       |
|------------------|-------------------------------|---------------------------------------|
|                  | 14                            | -                                     |
|                  | 12                            | -                                     |
|                  | 8<br>IEC                      | T 3527 550                            |
|                  | 7<br>IEC                      | T 3447 550                            |
|                  | 7                             | T 3437 550                            |
|                  | 6                             | T 3427 550                            |
|                  | 5                             | T 3377 550                            |
|                  | 5<br>IEC                      | T 3397 550                            |
|                  | 4                             | T 3327 550                            |
|                  | 3                             | T 3277 550                            |
| SYMBOL<br>symbol | POLZAHL<br>number of contacts | TYP-NUMMER-CRIMP<br>type-number-crimp |

Diese Steckverbinder dürfen betriebsmäßig nicht unter Spannung betätigt werden. Metallene Gehäuseteile sind sicher mit dem Schutzleitersystem zu verbinden.  
 Do not connect or disconnect under load. Metal housing parts shall be securely incorporated to protected ground.

Crimpkontakte bitte separat bestellen, Details siehe M-N 02 015 00XX (X) oder Katalog C091 A/B/D Seite 44  
 please order crimp contacts separately, details see M-N 02 015 00XX (X) or catalog C091 A/B/D page 44

|                                 |                      |                                     |            |                                 |     |                           |  |
|---------------------------------|----------------------|-------------------------------------|------------|---------------------------------|-----|---------------------------|--|
| Gewicht (errechnet)/ Calc WT:   | 9                    | Zul. Abw./Tolerances:               |            | Maßstab/Scale                   | 2:1 | A3                        |  |
| Prüfmaß/Test dimension          |                      |                                     |            | CUSTOMER DRAWING                |     |                           |  |
| Teileindex<br>Part index number |                      |                                     |            | Gerätedose<br>Female receptacle |     |                           |  |
|                                 |                      | 08                                  | Datum/Date | Name                            |     |                           |  |
|                                 |                      | Gez.                                | 04.07.     | Cionvica                        |     |                           |  |
|                                 |                      | Drawn                               |            |                                 |     |                           |  |
|                                 |                      | Gep.                                |            |                                 |     |                           |  |
|                                 |                      | Checked                             |            |                                 |     |                           |  |
|                                 |                      | Amphenol-Tuchel<br>Electronics GmbH |            | M NB T 3XX7 550                 |     | Blatt/Sheet<br>1<br>1 Bl. |  |
| 01                              | 200700144            | 04.07.08                            | CI         | Ers. f./Similar to:             |     |                           |  |
| Index                           | Änderung/Description | Datum/Date                          | Name       |                                 |     |                           |  |

# Mouser Electronics

Authorized Distributor

Click to View Pricing, Inventory, Delivery & Lifecycle Information:

[Amphenol:](#)

[T3437-550](#)