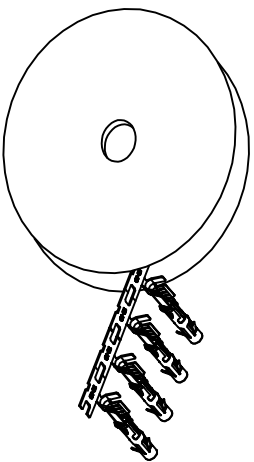


REVISIONS				
REV	ECO	DESCRIPTION	DATE	BY APPR
A1	-	RELEASED DRAWING	Jul-16-18	Flan Tommy

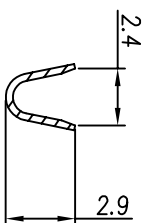


CONTACT ORIENTATION ON ROLL(3000PCS./COIL)

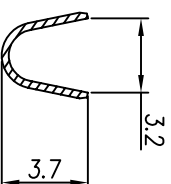
NOTES : (UNLESS OTHERWISE SPECIFIED)

1. MATERIAL :
 - 1.1. CONTACT BODY : COPPER ALLOY.
 - 1.2. OUTER SPRING : STAINLESS STEEL.
2. SPECIFICATIONS :
 - 2.1 CURRENT RATING : 13A MAX.
 - 2.2 TERMINATION TYPE : CRIMPING.
 - 2.3 WIRE RANGE : 16~18AWG.
 - 2.4 WIRE INSULATION DIA(MAX) : ϕ 3.2mm.
3. ROHS COMPLIANT.
4. ALL DIMENSIONS ARE FOR REFERENCE USE ONLY.
5. AVAILABLE TOOLS :
 - 5.1 HAND CRIMPER : MFX-3954.
 - 5.2 CRIMP APPLICATOR : MFX-3957.
 - 5.3 EXTRACTION TOOL : QXRT16.

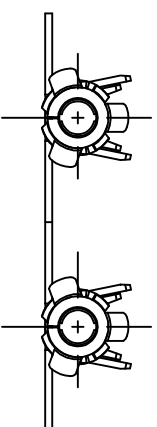
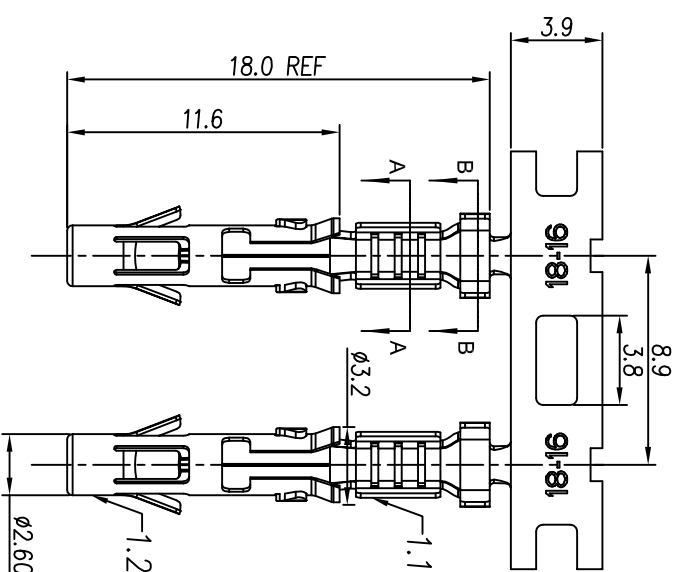
P/N	CONTACT PLATING(MATING AREA)
SS16M2T	TIN PLATING OVER NICKEL.
SS16M2N	NICKEL PLATING OVER COPPERIZE.
SS16M2F	GOLD FLASH PLATING OVER NICKEL.
SS16M2G5	5 μ "GOLD PLATING OVER NICKEL.
SS16M2G10	10 μ "GOLD PLATING OVER NICKEL.
SS16M2G15	15 μ "GOLD PLATING OVER NICKEL.
SS16M2G30	30 μ "GOLD PLATING OVER NICKEL.



SECTION A-A



SECTION B-B



QUANTITY	PART NUMBER	DESCRIPTION	ITEM

MATERIALS LIST

UNLESS OTHERWISE SPECIFIED	SIGNATURES	DATE
1) All dimensions are in millimeters. 2) Tolerances are as follows: 1 PL, DEC AD, 30 Fractions, ±1/4 3 PL, DEC AD, 08 Angles, ±1°	DRAWN: Flan CHECKED: Jod ENGINEER: Tommy	Jul-16-18 Jul-16-18 Jul-16-18
3) Note reference = Δ	APPROVAL: Tommy	Jul-16-18

PROCESS SPECIFICATIONS:	CUSTOMER:	SIZE	TYPE	SCALE	REVISION
	Tommy	B	C-	NONE	A1

TEST DRAWINGS SUPERSEDES:	STAMPED:
1) All dimensions are in millimeters. 2) Tolerances are as follows: 1 PL, DEC AD, 30 Fractions, ±1/4 3 PL, DEC AD, 08 Angles, ±1°	16

THESE DRAWINGS SUPERSEDES:	STAMPED:
1) All dimensions are in millimeters. 2) Tolerances are as follows: 1 PL, DEC AD, 30 Fractions, ±1/4 3 PL, DEC AD, 08 Angles, ±1°	16

REVISIONS:	SCALE:	SHEET:	OF:
	NONE	1	1

ECO-MATE SOCKET CONTACT, STAMPED:	SIZE:
16-18AWG, SIZE 16	16

Amphenol	Part No:
SS16M2XX	SS16M2XX

Site Systems - www.amphenol-sine.com	Part No:
44724 Morley Drive Clinton Township, MI 48036	SS16M2XX

ECO-MATE SOCKET CONTACT, STAMPED:	Part No:
16-18AWG, SIZE 16	SS16M2XX

TTITLE:	DWG NO.:	REV:	SH:	OF:
ECO-MATE SOCKET CONTACT, STAMPED: 16-18AWG, SIZE 16	SS16M2XX	A1	1	1

Mouser Electronics

Authorized Distributor

Click to View Pricing, Inventory, Delivery & Lifecycle Information:

[Amphenol:](#)

[SS16M2T](#)