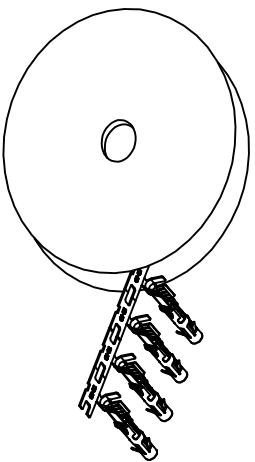


REVISIONS				
REV	ECO	DESCRIPTION	DATE	BY APPR
A1	-	RELEASED DRAWING	Jul-16-18	Flan Tommy

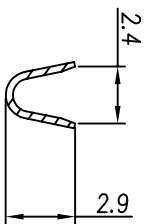


CONTACT ORIENTATION ON ROLL(3000PCS./COIL)

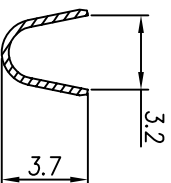
NOTES : (UNLESS OTHERWISE SPECIFIED)

1. MATERIAL :
 - 1.1. CONTACT BODY : COPPER ALLOY.
 - 1.2. OUTER SPRING : STAINLESS STEEL.
2. SPECIFICATIONS :
 - 2.1 CURRENT RATING : 13A MAX.
 - 2.2 TERMINATION TYPE : CRIMPING.
 - 2.3 WIRE RANGE : 16~18AWG.
 - 2.4 WIRE INSULATION DIA(MAX) : ϕ 3.2mm.
3. ROHS COMPLIANT.
4. ALL DIMENSIONS ARE FOR REFERENCE USE ONLY.
5. AVAILABLE TOOLS :
 - 5.1 HAND CRIMPER : MFX-3954.
 - 5.2 CRIMP APPLICATOR : MFX-3957.
 - 5.3 EXTRACTION TOOL : QXRT16.

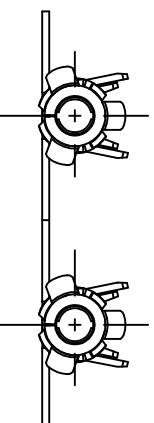
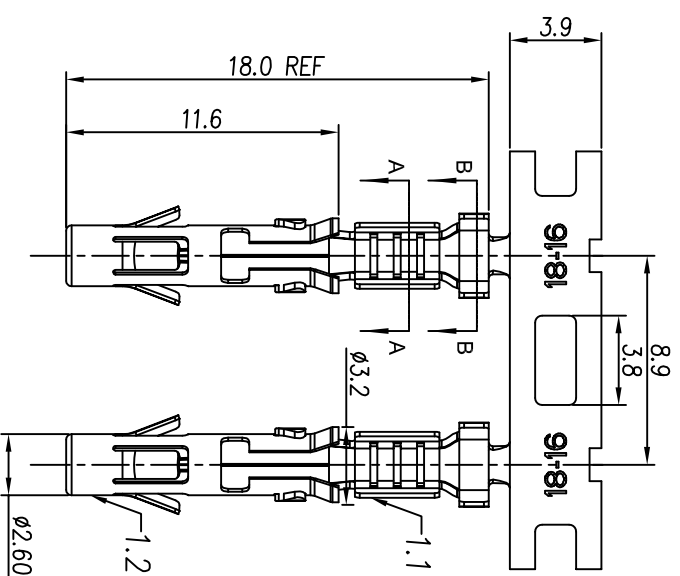
P/N	CONTACT PLATING(MATING AREA)
SS16M2T	TIN PLATING OVER NICKEL.
SS16M2N	NICKEL PLATING OVER COPPERIZE.
SS16M2F	GOLD FLASH PLATING OVER NICKEL.
SS16M2G5	5 μ "GOLD PLATING OVER NICKEL.
SS16M2G10	10 μ "GOLD PLATING OVER NICKEL.
SS16M2G15	15 μ "GOLD PLATING OVER NICKEL.
SS16M2G30	30 μ "GOLD PLATING OVER NICKEL.



SECTION A-A



SECTION B-B



QUANTITY	PART NUMBER	DESCRIPTION	ITEM
MATERIALS LIST			
UNLESS OTHERWISE SPECIFIED 1) All dimensions are in millimeters. 2) Tolerances are as follows: 1 PL DEC AD.30 Fractions .1"=4 3 PL DEC AD.08 Angles .1" 3) Note reference = Δ			
MATERIAL SPECIFICATIONS: CUSTOMER: Tommy APPROVAL: Jul-16-18		MATERIAL SPECIFICATIONS: INTERMEDIATE SUPPLIER FOR THE AMPHENOL CORPORATION. ALL DIMENSIONS AND PERFORMANCE DATA OF REPRODUCTION ARE LIAISON. ALL MANUFACTURING VARIATIONS.	
PROCESS SPECIFICATIONS: NEXT ASSY:		SIZE TYPE: B C- DWG NO: SS16M2XX SCALE: NONE SHEET 1 OF 1	
Amphenol Sine Systems - www.amphenol-sine.com 44724 Morley Drive Clinton Township, MI 48036 ECO-MATE SOCKET CONTACT, STAMPED, 16-18AWG, SIZE 16			

Mouser Electronics

Authorized Distributor

Click to View Pricing, Inventory, Delivery & Lifecycle Information:

[Amphenol:](#)

[SS16M2G5](#)