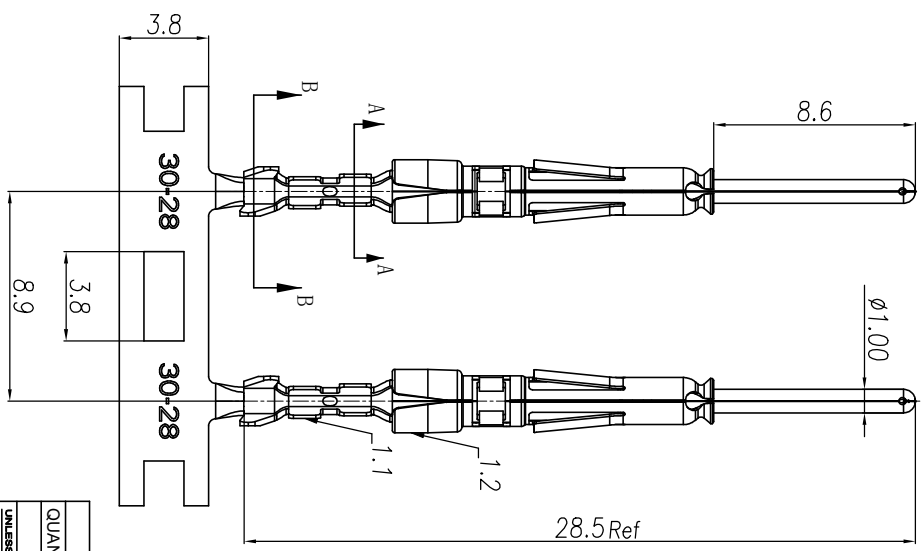
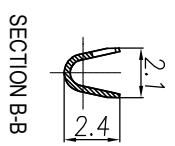
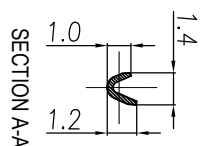


CONTACT ORIENTATION ON ROLL  
 NOTES: (UNLESS OTHERWISE SPECIFIED)

1. MATERIAL:
  - 1.1. CONTACT BODY: COPPER ALLOY.
  - 1.2. OUTER SPRING: STAINLESS STEEL.
2. SPECIFICATIONS:
  - 2.1 CURRENT RATING: 5A MAX.
  - 2.2 TERMINATION TYPE: CRIMPING.
  - 2.3 WIRE RANGE: 30-28AWG.
  - 2.4 WIRE INSULATION DIA(MAX): Ø1.8mm.
3. RoHS COMPLIANT.
4. ALL DIMENSIONS ARE FOR REFERENCE USE ONLY.
5. AVAILABLE TOOLS:
  - 5.1 HAND CRIMPER: MFX-3958 (A3)
  - 5.2 CRIMP APPLICATOR: MFX-3957.
  - 5.3 EXTRACTION TOOL: QXRT20.



REVISIONS				
REV	ECO	DESCRIPTION	DATE	BY APPR
A1	-	RELEASED DRAWING	Nov-8-17	Rookie Tommy
A2	-	ADD THE GS PART NUMBER	Jan-28-19	Blink Tommy
A3	-	CHANGE HAND CRIMPER	Nov-8-19	Flan Tommy



P/N	CONTACT PLATING(MATING AREA)
SP28W2T	TIN PLATING OVER NICKEL.
SP28W2N	NICKEL PLATING OVER COPPERIZE.
SP28W2F	GOLD FLASH PLATING OVER NICKEL.
SP28W2G5	5µ" GOLD PLATING OVER NICKEL.
SP28W2G10	10µ" GOLD PLATING OVER NICKEL.
SP28W2G15	15µ" GOLD PLATING OVER NICKEL.
SP28W2G30	30µ" GOLD PLATING OVER NICKEL.

QUANTITY	PART NUMBER	DESCRIPTION	ITER

MATERIALS LIST			
SIGNATURES	DATE	SIZE	REVISION
Drawn: <b>Ril</b>	Nov-8-19	B	
Checked: <b>Mah</b>	Nov-8-19	C-	
Engineer: <b>Tommy</b>	Nov-8-19		A3

UNLESS OTHERWISE SPECIFIED	
1) All dimensions are in millimeters.	
2) Tolerances are as follows:	
1 Pt. DEC 0.030	Fractions 1/16"
3 Pt. DEC 0.015	Decimals .01"
3) Note reference =	
MATERIAL SPECIFICATIONS	
PROCESS SPECIFICATIONS	CUSTOMER: <b>Tommy</b>
NEXT ASBY	APPROVE: <b>Tommy</b>
THE DRAWING IS SUBJECT TO THE SPECIFICATIONS AND PERFORMANCE DATA OF THE MANUFACTURER. THE MANUFACTURER'S CORRECTION NO. IS NOT FOR REPRODUCTION AND APPLIED ALL MANUFACTURING VARIATIONS	
ECO-MATE PIN CONTACT, STAMPED, 28-30AWG, SIZE 20	
Amphenol	
Sine Systems - www.amphenol-sine.com	
44724 Montley Drive	
Clinton Township, MI 48038	
SCALE: NONE	
SHEET 1 OF 1	

# Mouser Electronics

Authorized Distributor

Click to View Pricing, Inventory, Delivery & Lifecycle Information:

[Amphenol:](#)

[SP28W2G5](#)