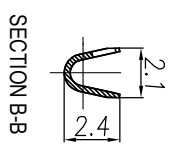
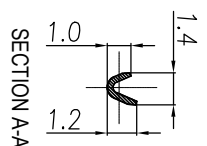
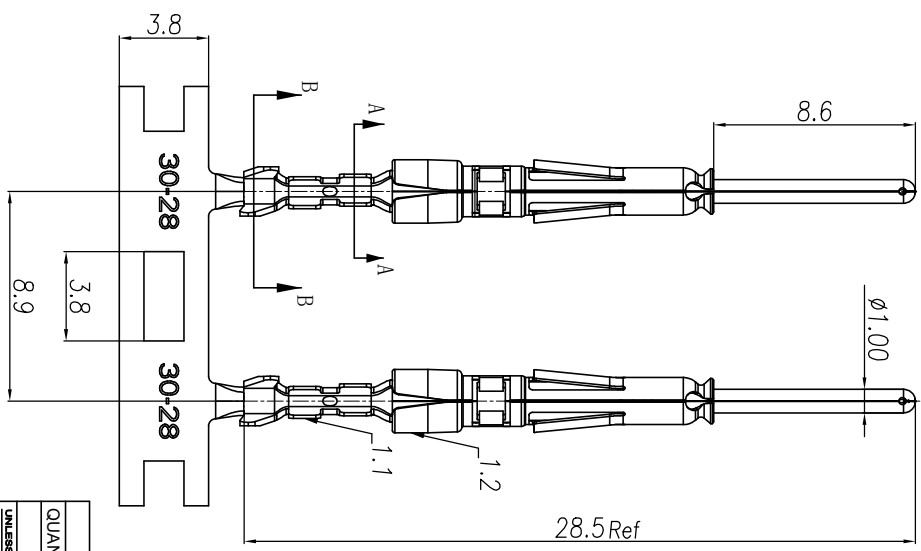


CONTACT ORIENTATION ON ROLL  
 NOTES: (UNLESS OTHERWISE SPECIFIED)

1. MATERIAL:
  - 1.1. CONTACT BODY: COPPER ALLOY.
  - 1.2. OUTER SPRING: STAINLESS STEEL.
2. SPECIFICATIONS:
  - 2.1 CURRENT RATING: 5A MAX.
  - 2.2 TERMINATION TYPE: CRIMPING.
  - 2.3 WIRE RANGE: 30-28AWG.
  - 2.4 WIRE INSULATION DIA(MAX): Ø1.8mm.
3. RoHS COMPLIANT.
4. ALL DIMENSIONS ARE FOR REFERENCE USE ONLY.
5. AVAILABLE TOOLS:
  - 5.1 HAND CRIMPER: MFX-3958 (A3)
  - 5.2 CRIMP APPLICATOR: MFX-3957.
  - 5.3 EXTRACTION TOOL: QXRT20.



REVISIONS				
REV	ECO	DESCRIPTION	DATE	BY APPR
A1	-	RELEASED DRAWING	Nov-8-17	Rookie Tommy
A2	-	ADD THE GS PART NUMBER	Jan-28-19	Blink Tommy
A3	-	CHANGE HAND CRIMPER	Nov-8-19	Flan Tommy

P/N	CONTACT PLATING(MATING AREA)
SP28W2T	TIN PLATING OVER NICKEL.
SP28W2N	NICKEL PLATING OVER COPPERIZE.
SP28W2F	GOLD FLASH PLATING OVER NICKEL.
SP28W2G5	5µ" GOLD PLATING OVER NICKEL.
SP28W2G10	10µ" GOLD PLATING OVER NICKEL.
SP28W2G15	15µ" GOLD PLATING OVER NICKEL.
SP28W2G30	30µ" GOLD PLATING OVER NICKEL.

QUANTITY	PART NUMBER	DESCRIPTION	ITER

MATERIALS LIST			
UNLESS OTHERWISE SPECIFIED	SIGNATURES	DATE	
1) All dimensions are in inches/mm.	Drawn: <b>Ril</b>	Nov-8-19	
2) Tolerances are as follows:	Checked: <b>Mah</b>	Nov-8-19	
1 Pl. DEC 20-00	Engineer:		
2 Pl. DEC 20-00	Approve: <b>Tommy</b>	Nov-8-19	
3) Note reference =	CUSTOMER:		
MATERIAL SPECIFICATIONS			
PROCESS SPECIFICATIONS			
NEXT ASBY:			

SIZE	TYPE	DWG NO	REVISION
B	C-	SP28W2XX	A3

**Amphenol**  
 Sine Systems - www.amphenol-sine.com  
 44724 Montley Drive  
 Clinton Township, MI 48038

ECO-MATE PIN CONTACT.  
 STAMPED, 28-30AWG, SIZE 20

# Mouser Electronics

Authorized Distributor

Click to View Pricing, Inventory, Delivery & Lifecycle Information:

[Amphenol:](#)

[SP28W2G15](#)