

CONTACT ORIENTATION ON ROLL

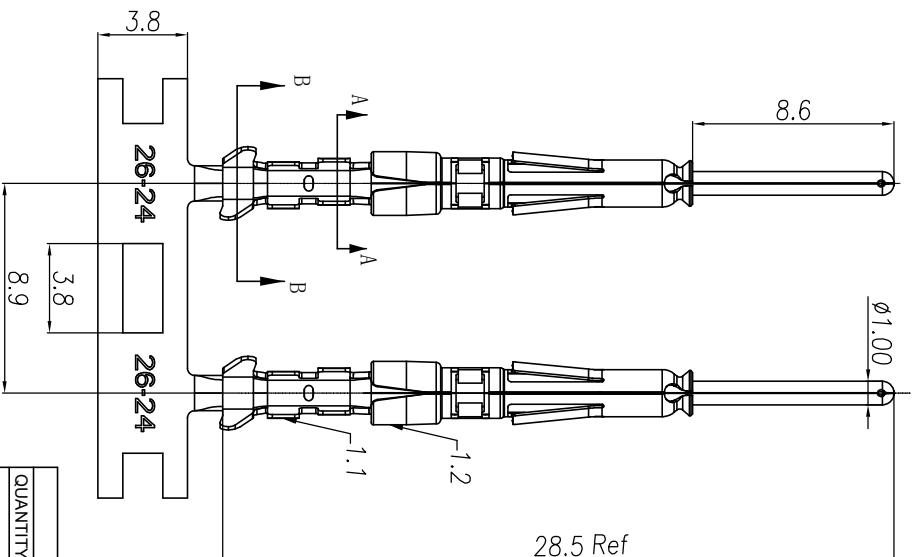
NOTES: (UNLESS OTHERWISE SPECIFIED)

1. MATERIAL:
  - 1.1. CONTACT BODY: COPPER ALLOY.
  - 1.2. OUTER SPRING: STAINLESS STEEL.
2. SPECIFICATIONS:
  - 2.1 CURRENT RATING: 5A MAX.
  - 2.2 TERMINATION TYPE: CRIMPING.
  - 2.3 WIRE RANGE: 26~24AWG.
  - 2.4 WIRE INSULATION DIA(MAX):  $\varnothing 2.2\text{mm}$ .
3. ROHS COMPLIANT.
4. ALL DIMENSIONS ARE FOR REFERENCE USE ONLY.
5. AVAILABLE TOOLS:
  - 5.1 HAND CRIMPER: MFX-3958. (A3)
  - 5.2 CRIMP APPLICATOR: MFX-3957.
  - 5.3 EXTRACTION TOOL: QXRT20.

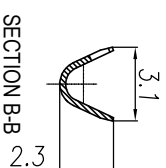
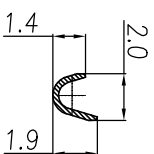
P/N	CONTACT PLATING(MATING AREA)
SP24W2T	TIN PLATING OVER NICKEL.
SP24W2N	NICKEL PLATING OVER COPPERIZE.
SP24W2F	GOLD FLASH PLATING OVER NICKEL.
SP24W2G5	5 $\mu$ " GOLD PLATING OVER NICKEL.
SP24W2G10	10 $\mu$ " GOLD PLATING OVER NICKEL.
SP24W2G15	15 $\mu$ " GOLD PLATING OVER NICKEL.
SP24W2G30	30 $\mu$ " GOLD PLATING OVER NICKEL.

(A2)

REVISIONS				
REV	ECO	DESCRIPTION	DATE	BY APPR
A1	-	RELEASED DRAWING	Nov-8-17	Rookie Tommy
A2	-	ADD THE G5 PART NUMBER	Jan-28-19	Blink Tommy
A3	-	CHANGE HAND CRIMPER	Nov-8-19	Flan Tommy



SECTION A-A



SECTION B-B

QUANTITY	PART NUMBER	DESCRIPTION	ITEM
		<b>MATERIALS LIST</b>	

UNLESS OTHERWISE SPECIFIED			
1) All dimensions are in millimeters.	DRAWN: <b>Rui</b>	DATE: <b>Nov-8-19</b>	<b>Amphenol</b> Sine Systems - www.amphenol-sine.com 44724 Montey Drive Clinton Township, MI 48038 ECO-MATE PIN CONTACT. STAMPED, 24-28AWG, SIZE 20
2) Tolerances are as follows: 1 Pt. DEC 0.030 2 Pt. DEC 0.025 3 Pt. DEC 0.015	CHECKED: <b>Mih</b>	DATE: <b>Nov-8-19</b>	
3) Note reference =	ENGINEER: <b>Tommy</b>	DATE: <b>Nov-8-19</b>	
MATERIAL SPECIFICATIONS	APPROVE: <b>Tommy</b>	DATE: <b>Nov-8-19</b>	
PROCESS SPECIFICATIONS	CUSTOMER: <b>Tommy</b>	DATE: <b>Nov-8-19</b>	

SCALE	TYPE	SIZE	REVISION
NONE	B	C-	A3

# Mouser Electronics

Authorized Distributor

Click to View Pricing, Inventory, Delivery & Lifecycle Information:

[Amphenol:](#)

[SP24W2G15](#)