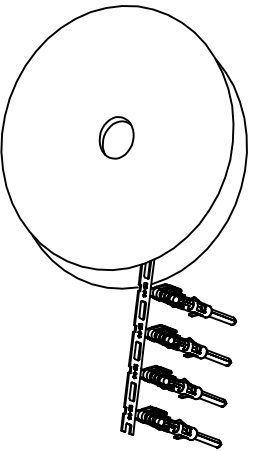


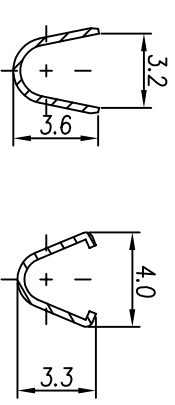
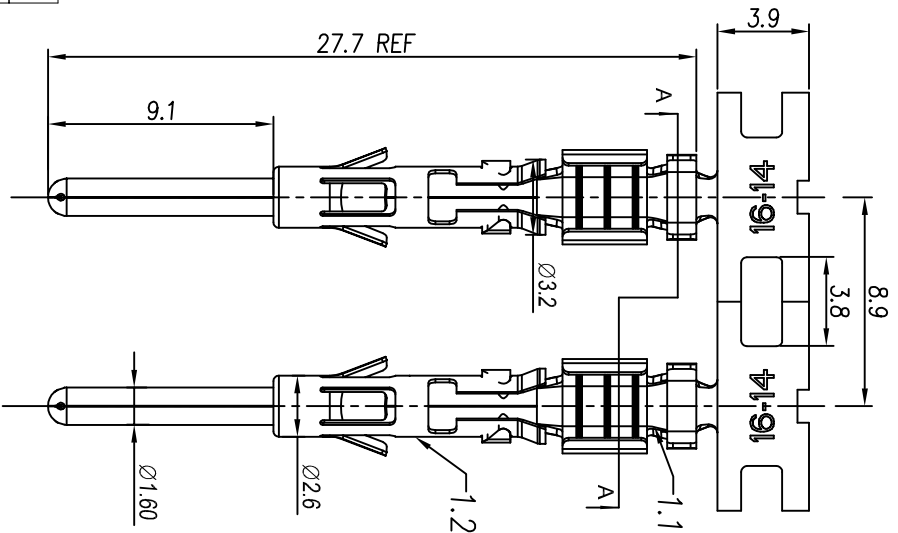
REVISIONS				
REV	ECO	DESCRIPTION	DATE	BY APPR
A1	-	RELEASED DRAWING	Jul-16-18	Flan Tommy



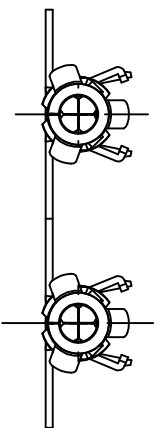
CONTACT ORIENTATION ON ROLL(3000PCS/COIL)

NOTES : (UNLESS OTHERWISE SPECIFIED)

1. MATERIAL :
 - 1.1. CONTACT BODY : COPPER ALLOY.
 - 1.2. OUTER SPRING : STAINLESS STEEL.
2. SPECIFICATIONS :
 - 2.1 CURRENT RATING : 13A MAX.
 - 2.2 TERMINATION TYPE : CRIMPING.
 - 2.3 WIRE RANGE : 14~16AWG.
 - 2.4 WIRE INSULATION DIA(MAX) : ϕ 3.2mm.
3. ROHS COMPLIANT.
4. ALL DIMENSIONS ARE FOR REFERENCE USE ONLY.
5. AVAILABLE TOOLS :
 - 5.1 HAND CRIMPER : MFX-3954.
 - 5.2 CRIMP APPLICATOR : MFX-3957.
 - 5.3 EXTRACTION TOOL : QXRT16.



P/N	CONTACT PLATING(MATING AREA)
SP14M2T	TIN PLATING OVER NICKEL.
SP14M2N	NICKEL PLATING OVER COPPERIZE.
SP14M2F	GOLD FLASH PLATING OVER NICKEL.
SP14M2G5	5 μ "GOLD PLATING OVER NICKEL.
SP14M2G10	10 μ "GOLD PLATING OVER NICKEL.
SP14M2G15	15 μ "GOLD PLATING OVER NICKEL.
SP14M2G30	30 μ "GOLD PLATING OVER NICKEL.



QUANTITY	PART NUMBER	DESCRIPTION	ITEM
MATERIALS LIST			
UNLESS OTHERWISE SPECIFIED 1) All dimensions are in millimeters. 2) Tolerances are as follows: 1 PL DEC 20.30 Fractions .1"=1/4 3 PL DEC 20.08 Fractions .1"=1/4 3) Note reference = Δ			
SIGNATURES		DATE	
DRAWN: Flan	DATE: Jul-16-18		
CHECKED: Tom	DATE: Jul-16-18		
ENGINEER:	APPROVAL: Tommy	Jul-16-18	
MATERIAL SPECIFICATIONS:		CUSTOMER: Tommy	
PROCESS SPECIFICATIONS:		TEST SPECIMENS SUPPLIED FOR:	
NEXT ASSY:		SPECIFICATIONS AND PERFORMANCE DATA:	
		THE MANUFACTURING CORPORATION HAS NO RESPONSIBILITY FOR REPRODUCTION AND LIAISON. ALL MANUFACTURING VARIATIONS.	
SCALE: NONE		SIZE: B	
		TYPE: C-	
		DRAWING NO: SP14M2XX	
		REVISION: A1	
		SHEET: 1 OF 1	

Amphenol

Sine Systems - www.amphenol-sine.com
 44724 Morley Drive
 Clinton Township, MI 48036

ECO-MATE PIN CONTACT.
 STAMPED, 16-14AWG, SIZE 16

Mouser Electronics

Authorized Distributor

Click to View Pricing, Inventory, Delivery & Lifecycle Information:

[Amphenol:](#)

[SP14M2T](#)