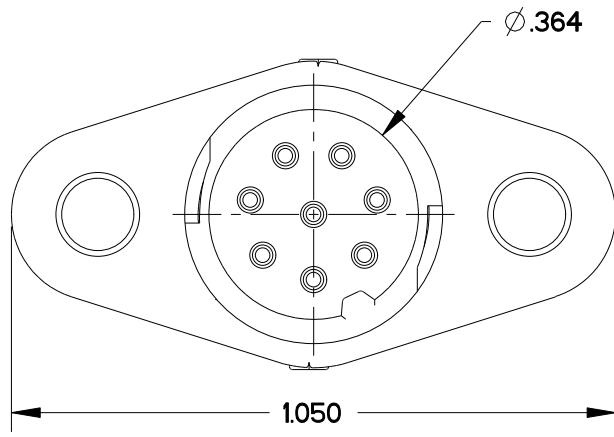
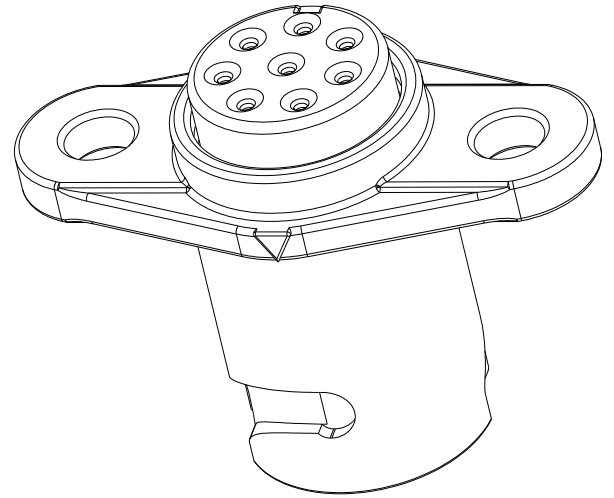
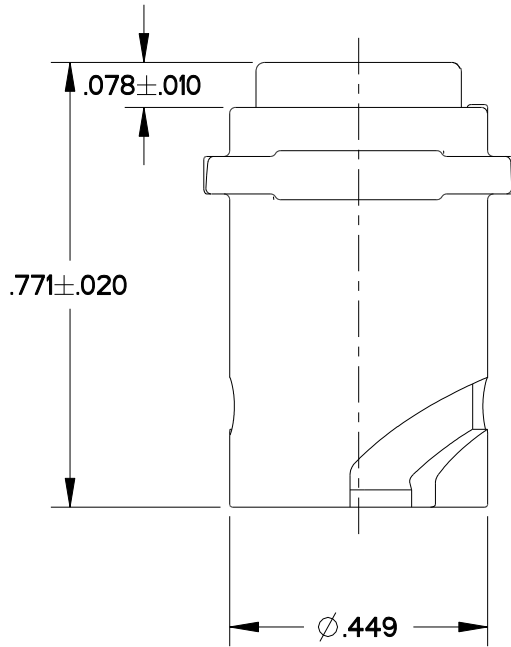
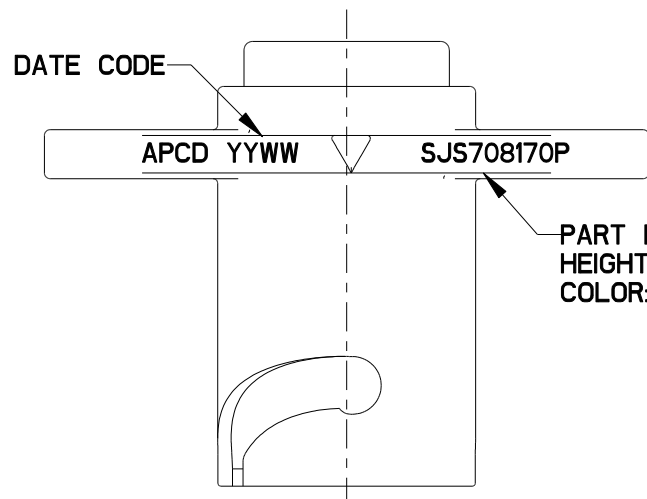
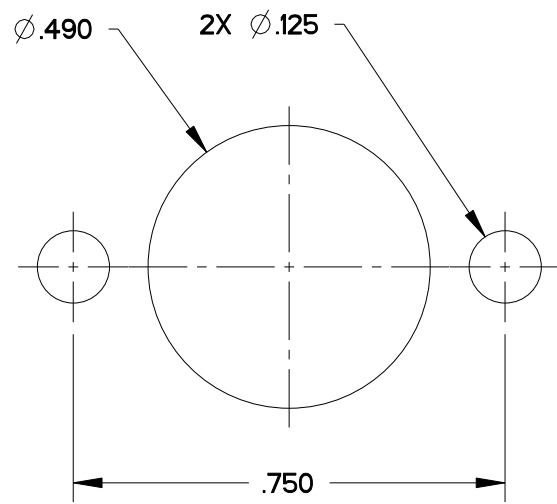
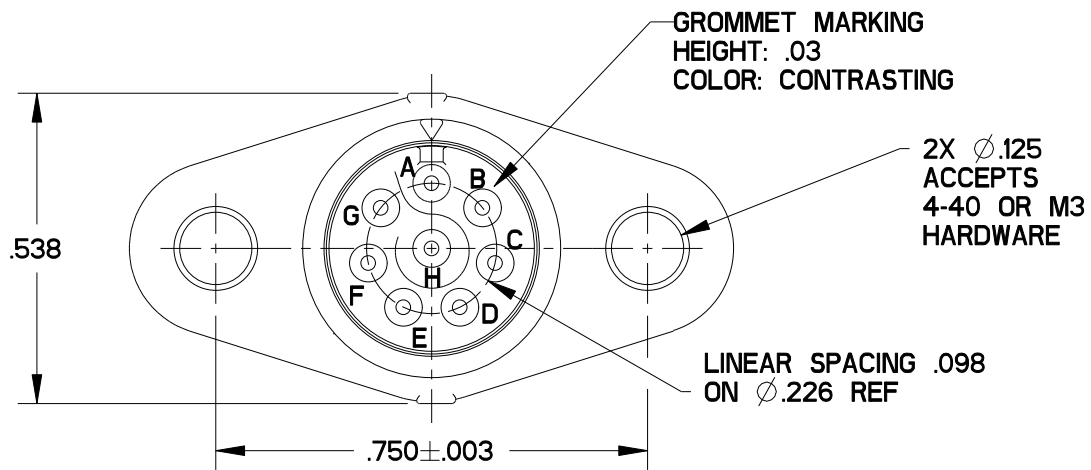


SJS708170P

REV	ECN	APP'D
1		



APCD P/N	P/N MARKING	CONTACTS SUPPLIED
SJS708170P	SJS708170P	NONE
SJS708171P		(8) M39029/58-360

- NOTES:
- MATERIALS:**  
HOUSING: PEI, COLOR: BLACK  
CONTACT RETAINER: STAINLESS STEEL  
GROMMET: SILICONE RUBBER PER A-A-59588, COLOR: RED
  - FINISH:**  
HOUSING: NICKEL, 200 MICRONS MINIMUM  
OVER COPPER, 120 MICRONS MINIMUM
  - ACCEPTS CONTACTS PER TABLE I
  - PART MATES WITH SJS830100P/SJS831100P
  - EST. WEIGHT: 3.5 GRAMS
  - SUPPLIED WITH DUST CAP

<b>DIMENSIONS</b> ANSI Y14.5M UNITS: INCHES Pro/E FILE	<b>TOLERANCES</b> .XX ±0.01 .XXX ±0.005 ANGLES ±2.0°	<b>PROJECTION</b> 
<b>ORIGINAL</b>	<i>THIS DOCUMENT CONTAINS PROPRIETARY INFORMATION WHICH IS THE CONFIDENTIAL PROPERTY OF AMPHENOL PCD INC., BEVERLY, MA</i>	

**Amphenol Pcd**  
SPECIFICATION DRAWING  
ENGR M. DIGIACOMO 11 MAY 2017  
CHKD  
APPD

<b>TITLE</b> 8 POS SIZE 22 RECEPTACLE, PANEL MOUNT, PEGASUS OVAL FLANGE, SHELL SIZE 7		
<b>SIZE</b> B	<b>DWG NO.</b> SJS708170P	<b>REV</b> 1
<b>CODE:</b> 58982	<b>SCALE:</b> 3:1	<b>SHEET</b> 1 OF 1

SJS708170P

SJS708170P

# Mouser Electronics

Authorized Distributor

Click to View Pricing, Inventory, Delivery & Lifecycle Information:

[Amphenol:](#)

[SJS708170P](#)