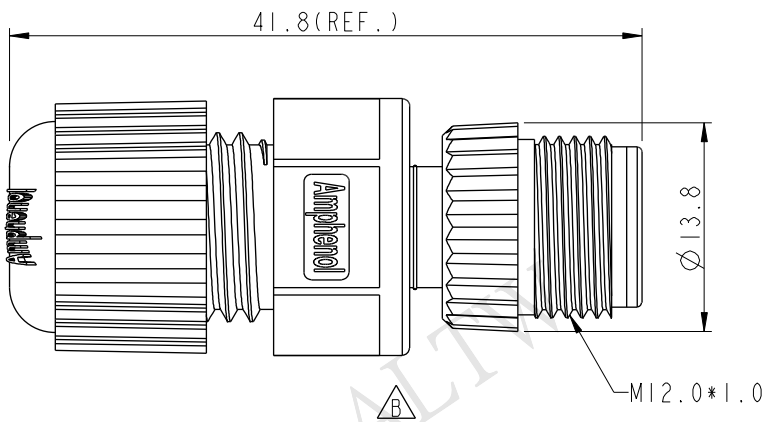
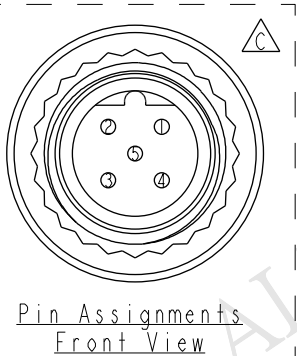
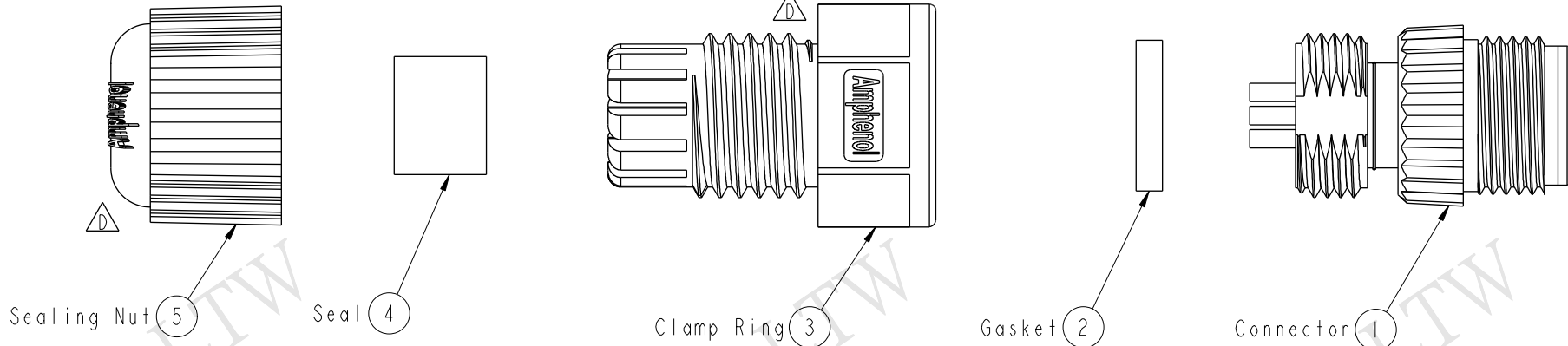
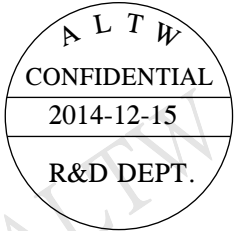


REV.	ECN NO.	DATE	SIGN	DESCRIPTION
B	LEN-6B0130	2006/11/11	Jerry	Remove the section
C	LEN1340077	2013/04/18	Yulong	Update The Drawing
D	LEN14C0431	2014/12/15	Vicky	Update Logo



Note:

- * Waterproof Rate: IP68
IP68: 1M Depth Of Water In 24hours
- * Housing: Nylon+GF, Black
- * Male Pin: Copper Alloy, Gold Plated
- * Screw Nut: Nylon+GF, Black
- * Gasket: EPDM, Black
- * Clamp Ring: Nylon, Black
- * Seal: EPDM, Black
- * Sealing Nut: Nylon, Black
- * Seal For Cable OD: $\varnothing 4.5\text{mm} \sim \varnothing 6.5\text{mm}$

UNIT:mm		
TOLERANCE	.X ± 0.25	.XX ± 0.1
	.XXX ± 0.05	ANGLES $\pm 1^\circ$

TITLE M12 B Conn Assy Screw 5Pin M Conn M Pin			
SCALE 2:1	SIZE A4	SHEET 1 OF 1	
REV. D	WC-REV. A.3	QC: Inspection item	

Amphenol LTW
安費諾亮泰企業股份有限公司

ITEM NO SBP-05BMMA-SL8001	DRAWN BY Vicky	DATE 2014-12-15
DWG NO SBP-05BMMA-SL8001	CHECKED BY Sam	DATE 2014-12-15
CUSTOMER ALTW	APPROVED BY Rita	DATE 2014-12-15

THIS DOCUMENT IS SUBJECT TO CHANGE WITHOUT NOTICE. IT IS CONFIDENTIAL AND A PROPERTY OF Amphenol LTW. DISCLOSURE TO THIRD PARTY HAS TO BE AUTHORIZED BY Amphenol LTW.

Mouser Electronics

Authorized Distributor

Click to View Pricing, Inventory, Delivery & Lifecycle Information:

[Amphenol:](#)

[SBP-05BMMA-SL8001](#)