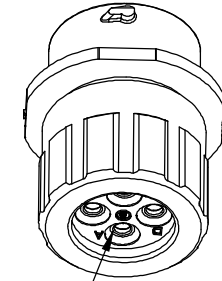
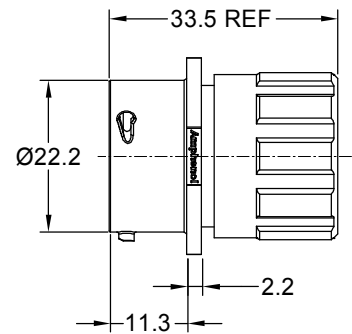
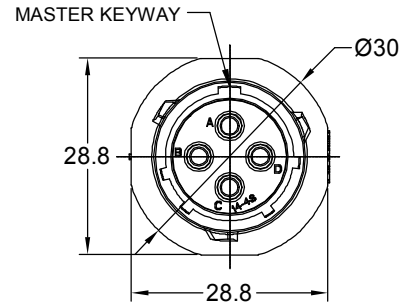


| REVISIONS |     |                  |             |       |       |
|-----------|-----|------------------|-------------|-------|-------|
| REV       | ECO | DESCRIPTION      | DATE        | BY    | APPR  |
| A1        | -   | RELEASED DRAWING | Mar-15-2021 | Blink | Tommy |



SEALING PLUGS CAN BE PURCHASED SEPARATELY

NOTES : (UNLESS OTHERWISE SPECIFIED)

- MATERIAL :  
SHELL : THERMOPLASTIC , UL94 V-0.  
INSERT : THERMOPLASTIC , UL94 V-0.  
O-RING : NBR OR SILICONE RUBBER.  
SEAL GASKET : NBR OR SILICONE RUBBER.  
END CAP : THERMOPLASTIC , UL94 V-0.  
PLASTIC RING:THERMOPLASTIC , UL94 V-0.  
WIRE SEAL : SILICONE RUBBER.
- SPECIFICATIONS :  
2.1 RATED CURRENT : 23A (MAX).  
2.2 RATED VOLTAGE : 500V(AC/DC).  
2.3 OPERATING TEMPERATURE : SEE TABLE.  
2.4 DIELECTRIC WITHSTANDING VOLTAGE : LESS THAN 2 MILLIAMPS CURRENT LEAKAGE@2000 VOLTS AC.  
2.5 INSULATION RESISTANCE : 5000 MEGOHMS MIN.  
2.6 IP CLASS : IP67 AND IP69K IN THE MATED CONDITION, WIRE SEALS FULLY POPULATED.  
2.7 MATING CYCLES DURABILITY : 500 CYCLES MIN.  
2.8 ROHS COMPLIANT.
- SUITABLE CONTACTS : 2.5MM CONTACT.
- ALL DIMENSIONS ARE FOR REFERENCE USE ONLY.

| CONTACT SIZE | MIN. INSUL O.D. | MAX. INSUL O.D. | WIRE RANGE |
|--------------|-----------------|-----------------|------------|
| 2.5mm        | Ø3.3mm          | Ø4.3mm          | 14 - 12AWG |

| KEY | PART NUMBER    |                  |
|-----|----------------|------------------|
|     |                | -40°C ~ 105°C    |
| N   | RTS1BS14N4SHEC | RTS1BS14N4SHEC03 |

| QUANTITY   | PART NUMBER | DESCRIPTION  | ITEM   |
|--|-------------|--|--|
| <b>MATERIALS LIST</b>  |             |  |  |
| <b>UNLESS OTHERWISE SPECIFIED</b><br>1) All dimensions are in metric(mm).<br>2) Tolerances are as follows:<br>1 PL DEC ±0.30 Fractions ±1/64<br>2 PL DEC ±0.15 Angles ±1°<br>3 PL DEC ±0.08<br>3) Note reference = |             | <b>SIGNATURES</b> <b>DATE</b><br>DRAWN: Blink    Mar-15-2021<br>CHECKED: Flan    Mar-18-2021<br>ENGINEER:<br>APPROVAL: Tommy    Mar-18-2021<br>CUSTOMER:   | <br>Sine Systems - www.amphenol-sine.com<br>44724 Morley Drive<br>Clinton Township, MI 48036   |
| MATERIAL SPECIFICATIONS:<br>PROCESS SPECIFICATIONS:<br>NEXT ASSY:  |             | THIS DRAWING IS SUPPLIED FOR INFORMATION ONLY. DESIGN FEATURES, SPECIFICATIONS AND PERFORMANCE DATA SHOWN HEREON ARE THE PROPERTY OF THE AMPHENOL CORPORATION. NO RIGHTS OF REPRODUCTION ARE IMPLIED. ALL DIMENSIONS ARE SUBJECT TO NORMAL MANUFACTURING VARIATIONS. | ECO-MATE AQUARIUS, RECEPTACLE END CAP, IN-LINE, SIZE 14, 4 POS, SOCKET<br>SIZE TYPE DWG NO: <b>B C-</b> <b>RTS1BS14*4SHECxx</b> <b>A1</b> REVISION<br>SCALE NONE    SHEET 1 OF 1 |

TITLE: ECO-MATE AQUARIUS, RECEPTACLE END CAP, IN-LINE, SIZE 14, 4 POS, SOCKET  
 DWG NO.: RTS1BS14\*4SHECxx  
 REV: A1  
 SH: 1  
 OF: 1

## ecomate® RM/RSSM/Aquarius™ - Contact Size 12 Options

| Crimp Contacts, Machined |        |     |                               |         |
|--------------------------|--------|-----|-------------------------------|---------|
| Part Number              |        | AWG | Wire Range (mm <sup>2</sup> ) | Plating |
| Male                     | Female |     |                               |         |
| N/A                      |        |     |                               |         |

| Tooling, Machined |             |
|-------------------|-------------|
| Part Number       | Description |
| N/A               | N/A         |
| N/A               | N/A         |

| Plating Options, All |         |
|----------------------|---------|
| Symbol               | Plating |
| N/A                  | N/A     |

| Crimp Contacts, Stamped & Formed |         |       |                               |         |
|----------------------------------|---------|-------|-------------------------------|---------|
| Part Number                      |         | AWG   | Wire Range (mm <sup>2</sup> ) | Plating |
| Male                             | Female  |       |                               |         |
| SP12A1T                          | SS12A1T | 14-12 | 2.5-3.5                       | Tin     |

| Tooling, Stamped & Formed |  |
|---------------------------|--|
| Part Number               | Description  |
| QXRT12S                   | Contact Extraction Tool, 2.5mm Contact             |
| MFX-3962                  | Hand Tool, Stamped & Formed Contact, 2.5mm Contact |

| Misc Tooling, All |                       |
|-------------------|-----------------------|
| Part Number       | Description           |
| CA-4012-59        | Sealing Plug, Size 12 |

| Standard Quantity Order Options |                   |
|---------------------------------|-------------------|
| Machined                        | Stamped & Formed  |
| N/A                             | Reel, 1000 Pieces |

# Mouser Electronics

Authorized Distributor

Click to View Pricing, Inventory, Delivery & Lifecycle Information:

[Amphenol:](#)

[RTS1BS14N4SHEC03](#)