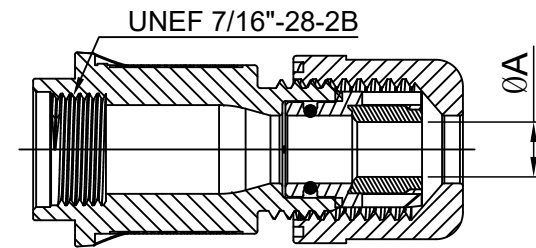
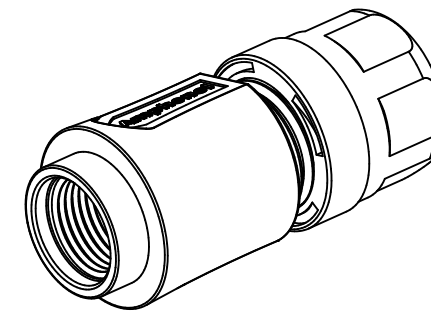
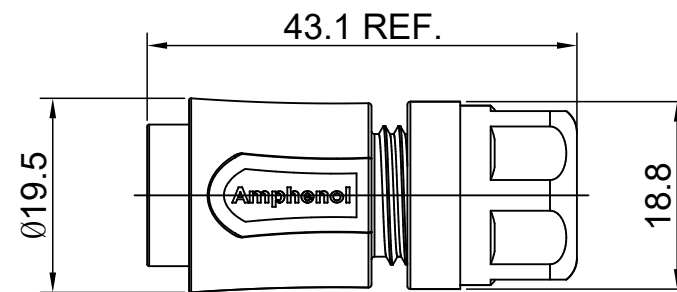
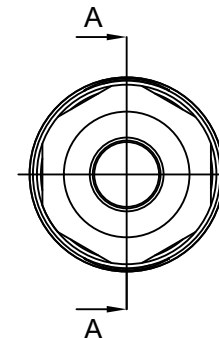


REVISIONS					
REV	ECO	DESCRIPTION	DATE	BY	APPR
01	-	RELEASED NUMBER	2018-02-28	Nick	TOMMY



SECTION A-A



DIMENSION ϕA	CABLE OD RANGE
5.5 MM	1.5~5.0MM
6.8 MM	2.5~6.5MM

NOTES: (UNLESS OTHERWISE SPECIFIED)

- MATERIAL:
 - O-RING: SILICONE RUBBER.
 - BACK SHELL: THERMOPLASTIC, UL94 V-0.
 - CLAMP NUT: THERMOPLASTIC, UL94 V-0.
 - CLAMP RING: THERMOPLASTIC, UL94 V-0.
 - CABLE SEAL: EPDM.
- RoHS COMPLIANT.
- ALL DIMENSIONS ARE FOR REFERENCE USE ONLY.

QUANTITY	PART NUMBER	DESCRIPTION	ITEM
MATERIALS LIST			
UNLESS OTHERWISE SPECIFIED: 1) All dimensions are in metric(mm). 2) Tolerances are as follows: 1 PL DEC ± 0.30 2 PL DEC ± 0.15 3 PL DEC ± 0.08 3) Note reference =		SIGNATURES	DATE
		DRAWN: Nick	2018-02-28
		CHECKED: Tod	2018-02-28
		ENGINEER:	
		APPROVAL: Tommy	2018-02-28
MATERIAL SPECIFICATIONS:		CUSTOMER:	
PROCESS SPECIFICATIONS:		THIS DRAWING IS SUPPLIED FOR INFORMATION ONLY. DESIGN FEATURES, SPECIFICATIONS AND PERFORMANCE DATA SHOWN HEREON ARE THE PROPERTY OF THE AMPHENOL CORPORATION. NO RIGHTS OF REPRODUCTION ARE IMPLIED. ALL DIMENSIONS ARE SUBJECT TO NORMAL MANUFACTURING VARIATIONS.	
NEXT ASSY:			
		Amphenol	
		Sine Systems - www.amphenol-sine.com 44724 Morley Drive Clinton Township, MI 48036	
		ECO-MATE, CORD GRIP, RTS ,SIZE 8.	
SIZE	TYPE	DWG NO:	REVISION
B	C-	RTSOL-8CG	A1
SCALE:	NONE		SHEET 1 OF 1

TITLE: ECO-MATE, CORD GRIP, RTS, SIZE 8. DWG NO: RTSOL-8CG REV: A1 SH: 1 OF: 1

Mouser Electronics

Authorized Distributor

Click to View Pricing, Inventory, Delivery & Lifecycle Information:

[Amphenol:](#)

[RTS0L-8CG](#)