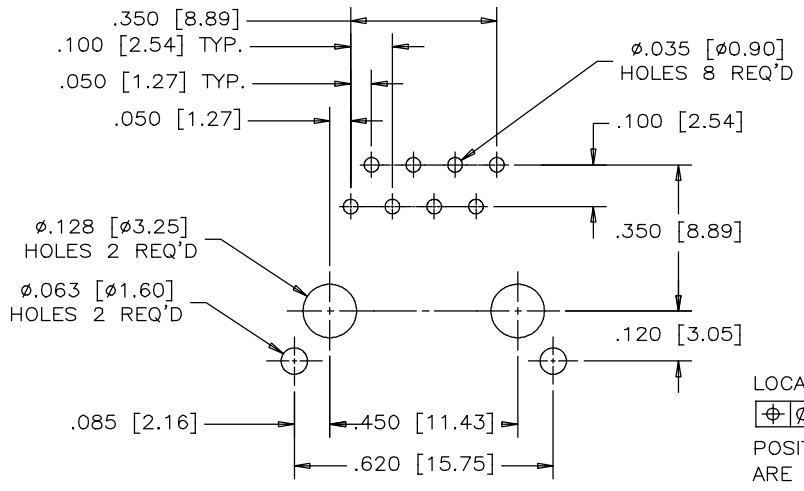
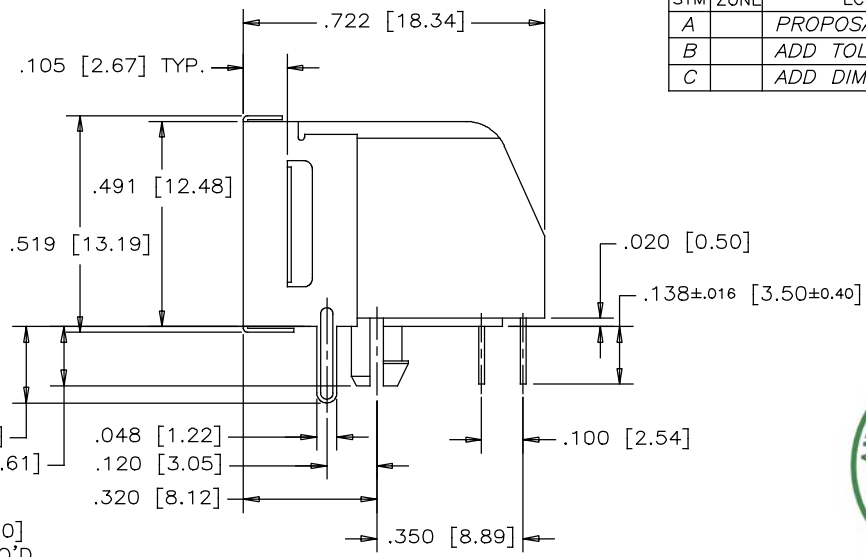
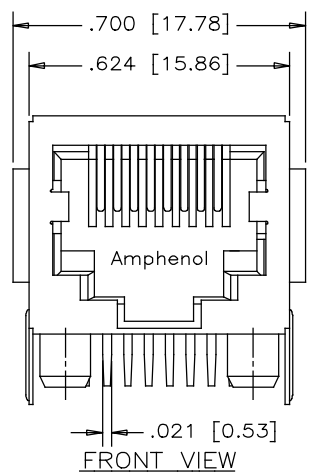
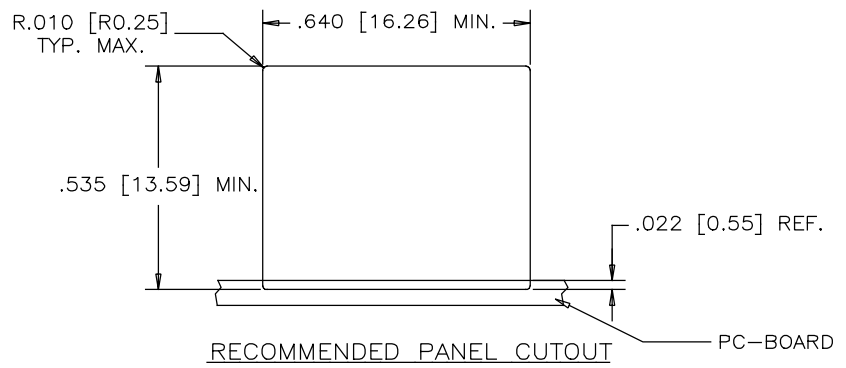


REVISIONS				
SYM	ZONE	ECN, ERN NO.	DATE	APPRD.
A		PROPOSAL	05/04/07	L.CHAN
B		ADD TOLERANCE.	JAN25/13	L.CHAN
C		ADD DIM.	APR15/13	L.CHAN



LOCATE HOLES
 $\phi \pm 0.005 [0.13]$
 POSITION DIMENSIONS
 ARE BASIC

RECOMMENDED P.C.B. LAYOUT
 (COMPONENT SIDE OF BOARD)



RECOMMENDED PANEL CUTOUT

SIDE VIEW

MATERIALS:

PLASTIC HOUSING: ENGINEERING THERMOPLASTIC
 FLAMMABILITY RATING UL94V-0

CONTACTS:

PHOSPHOR BRONZE
 PLATING: REFER TO PART NUMBER FOR GOLD
 THICKNESS ON MATING SURFACES.
 50 μ" [1.27 MICRONS]
 MIN. NICKEL UNDERPLATE.
 100 μ" [2.54 MICRONS]
 MIN. MATTE TIN ON CONTACT TAILS.

SHIELD:

COPPER ALLOY, NICKEL PLATED

UNLESS OTHERWISE SPECIFIED TOLERANCES ARE:
 $\pm 0.015 [\pm 0.38MM]$.

AMPHENOL PART NUMBER: RJE03-188-2X20

- 1 = 06 μ" GOLD
- 2 = 15 μ" GOLD
- 3 = 30 μ" GOLD
- 4 = 50 μ" GOLD

DRAWN PAUL WANG	DATE 05/04/07
DESIGNED	
CHECKED	
I. E. APPRD.	
Q. A. APPRD.	
DWG. APPRD.	
ENG. REL. NO.	
REF. EAR# 12704	
DIMENSIONS ARE IN INCHES [mm]	CODE ID. NO. 03554

Amphenol Canada Corp.	
TITLE MODULAR JACK, PARTIAL SHIELD 8 POSITION, 8 CONTACTS, WITH SIDE FLANGES - RoHS COMPLIANT	
DWG DRAWING NO. P-RJE03-188-2X20	REV. C
SCALE	WT. _____ SURF. _____ SHEET 1 OF 1

THIS DOCUMENT CONTAINS PROPRIETARY INFORMATION AND SUCH INFORMATION
 MAY NOT BE DISCLOSED TO OTHERS FOR ANY PURPOSE OR USED FOR MANUFACTURING
 PURPOSES WITHOUT WRITTEN PERMISSION FROM AMPHENOL CANADA CORP.

Mouser Electronics

Authorized Distributor

Click to View Pricing, Inventory, Delivery & Lifecycle Information:

[Amphenol:](#)

[RJE03-188-2420](#)