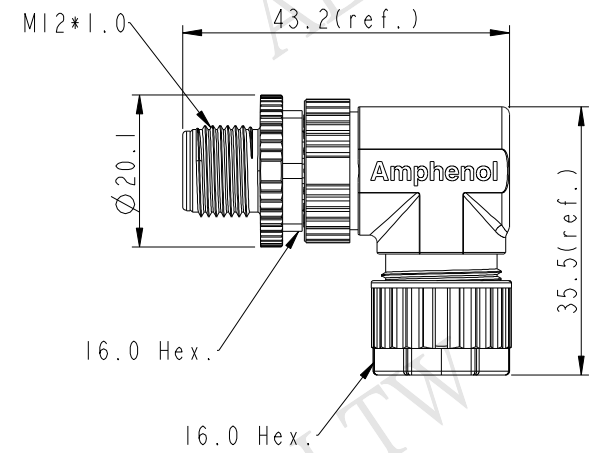
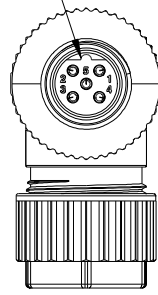
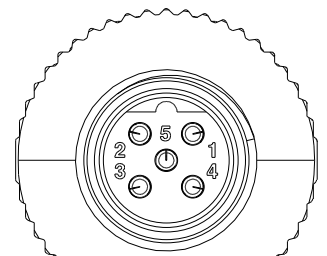
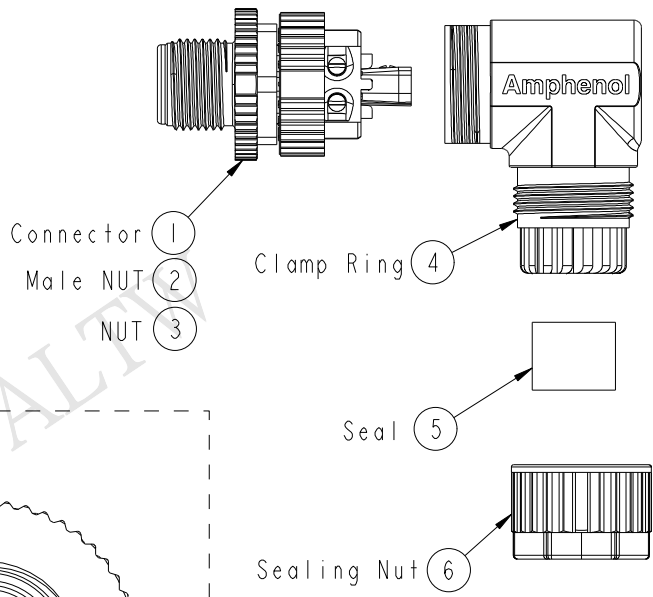


REV.	ECN NO.	DATE	SIGN	DESCRIPTION
A	Initial Release	2015/10/12	Mila	Change Rev. I To Rev.A

ALTW
CONFIDENTIAL
2015-10-12
R&D DEPT.

360° Adjustable Key Code Direction



ALTW
DCC. DEPT.
CONFIDENTIAL
2015.10.28
ISSUED

UNIT:mm		
TOLERANCE		
±0.5mm		

TITLE			
M12 B-Code 90° Unshielded Assy			
5Pin M Conn. M Pin			
SCALE	SIZE	SHEET	OF
1:1	A4	1	2
REV.	WC-REV.	QC: Inspection item	
A	A.1		

Amphenol LTW
安費諾亮泰企業股份有限公司

ITEM NO	MSBP-05BMMB-SR7001	DRAWN BY	Mila	DATE	2015-10-12
DWG NO	MSBP-05BMMB-SR7001	CHECKED BY	Cary	DATE	2015-10-12
CUSTOMER	ALTW	APPROVED BY	Jerry	DATE	2015-10-12

THIS DOCUMENT IS SUBJECT TO CHANGE WITHOUT NOTICE. IT IS CONFIDENTIAL AND A PROPERTY OF Amphenol LTW. DISCLOSURE TO THIRD PARTY HAS TO BE AUTHORIZED BY Amphenol LTW.



M SBP - 05 B M M B - S R 7 001

SBP: B-Code Plastic Nut

05: 5Pin

B: Without S/R(無網尾)

M: Male Connector(公座)

M: Male Pin(公Pin)

001: Without Cable

7: IP67(防水等級67)

R: Right(90°)

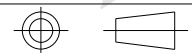
S: Screw(螺紋式)

B: Screw in Type(組裝式)

Note:

- * $\text{\textcircled{C}}$ Important Dimension To Check.
- * Waterproof Rate: IP67(Mated)
- * Housing: Nylon, Black
- * Male Pin: Copper Alloy, Gold Plated
- * Male Nut: PBT+PC, Black
- * Nut: PBT+PC, Black
- * O-Ring: Silicon, Grey
- * Clamp Ring: Nylon, Black
- * Sealing Nut: PBT+PC, Black
- * Seal: Silicon, Grey
- * Seal For Cable OD: $\text{\textcircled{C}}$ 4.0mm ~ $\text{\textcircled{C}}$ 7.0mm
- * Screws for Wire connection recommended tightening torque: 0.61~0.84 kgf.cm / 0.059~0.082 N.m
- * Applicable Wire gauge (Stranded wire cross section) 0.14mm² (26AWG) ~ 0.82mm² (18AWG)
- * Mating Recommended tightening torque: 3~4 kgf.cm / 0.29~0.39 N.m
- * Sealing-Nut Recommended tightening torque: 4~6 kgf.cm / 0.39~0.59 N.m
- * Detailed applicable wire specifications may vary depending on the actual construction.

UNIT:mm



TITLE M12 B-Code 90° Unshielded Assy
5Pin M Conn. M Pin

Amphenol LTW

ITEM NO MSBP-05BMMB-SR7001

DRAWN BY Mila

DATE 2015-10-12

TOLERANCE $\pm 0.5\text{mm}$

SCALE 1:1 SIZE A4 SHEET 2 OF 2

安費諾亮泰企業股份有限公司

DWG NO MSBP-05BMMB-SR7001

CHECKED BY Cary

DATE 2015-10-12

REV. A WC-REV. A.1 $\text{\textcircled{C}}$: Inspection item

CUSTOMER ALTW

APPROVED BY Jerry

DATE 2015-10-12

Mouser Electronics

Authorized Distributor

Click to View Pricing, Inventory, Delivery & Lifecycle Information:

[Amphenol:](#)

[MSBP-05BMMB-SR7001](#)