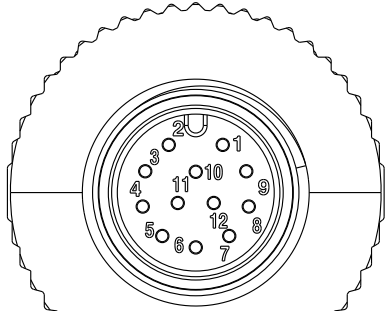
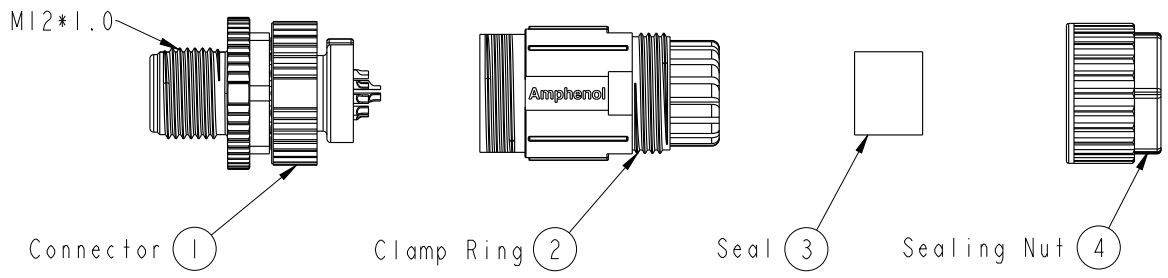


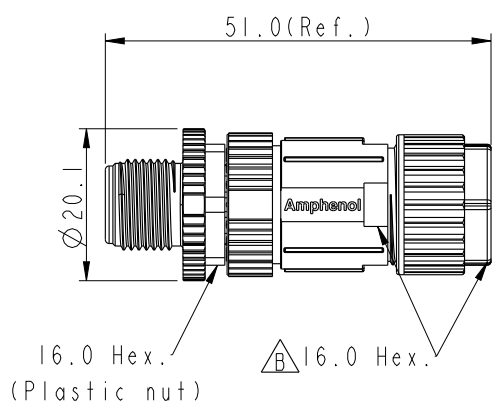
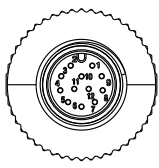
| | | | | |
|------|------------|------------|------|-----------------|
| REV. | ECN NO. | DATE | SIGN | DESCRIPTION |
| B | LEN15A0358 | 2015/09/16 | Mila | Product improve |

ALTW
CONFIDENTIAL
2015-09-16
R&D DEPT.

ALTW
DCC. DEPT.
CONFIDENTIAL
2015.10.21
ISSUED



Pin Assignments
Front View



- Note:
- * ⊘ Important Dimension To Check.
 - * Waterproof Rate: IP67
 - * Housing: Nylon, Black.
 - * Male Pin: Copper Alloy, Gold Plated.
 - * Male Nut: PBT+PC, Black.
 - * O-Ring: Silicon, Grey.
 - * Clamp Ring: Nylon, Black.
 - * Sealing Nut: PBT+PC, Black.
 - * Seal: Silicon, Grey.
 - * Seal For Cable OD: $\text{⊘}4.0\text{mm} \sim \text{⊘}8.0\text{mm}$
 - * Applicable Wire gauge (Stranded wire cross section) 26AWG~24AWG
 - * Mating Recommended tightening torque: 3~4 kgf.cm / 0.29~0.39 N.m
 - * Sealing-Nut Recommended tightening torque: 4~6 kgf.cm / 0.39~0.59 N.m
 - * Detailed applicable wire specifications may vary depending on the actual wire construction.

| | | |
|------------|----------|--|
| UNIT:mm | | |
| TOLERANCE | .X ±0.25 | |
| .XX ±0.1 | | |
| .XXX ±0.05 | | |
| ANGLES | ±1° | |

| | | | |
|--|----------------|------------------------------|--|
| TITLE M12A Unshielded Assy 12Pin M Conn. M Pin | | | |
| SCALE 1:1 | SIZE A4 | SHEET 1 OF 1 | |
| REV. B | WC-REV. A.2 | ⊘ : Inspection item | |

Amphenol LTW
安費諾亮泰企業股份有限公司

| | | |
|--------------------------------|----------------------|--------------------|
| ITEM NO. MSAP-12BMMA-SL7001 | DRAWN BY Mila | DATE 2015-09-16 |
| DWG NO. MSAP-12BMMA-SL7001 | CHECKED BY Cary | DATE 2015-09-16 |
| CUSTOMER ALTW | APPROVED BY Jerry | DATE 2015-09-16 |

THIS DOCUMENT IS SUBJECT TO CHANGE WITHOUT NOTICE. IT IS CONFIDENTIAL AND A PROPERTY OF Amphenol LTW. DISCLOSURE TO THIRD PARTY HAS TO BE AUTHORIZED BY Amphenol LTW.

Mouser Electronics

Authorized Distributor

Click to View Pricing, Inventory, Delivery & Lifecycle Information:

[Amphenol:](#)

[MSAP-12BMMA-SL7001](#)