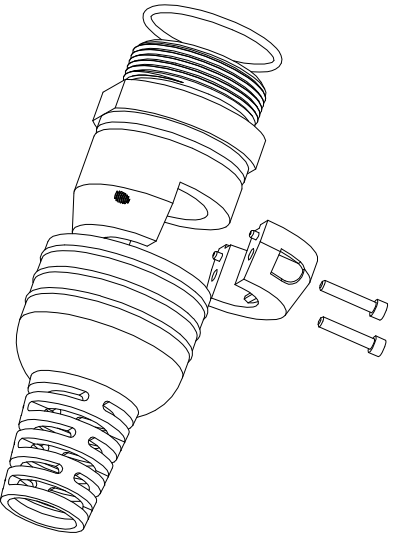
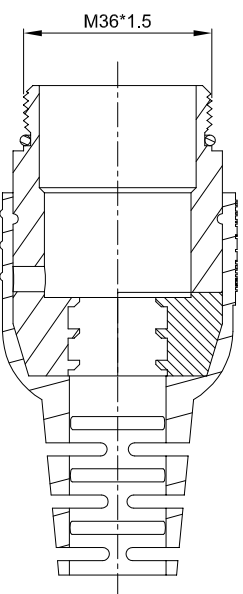
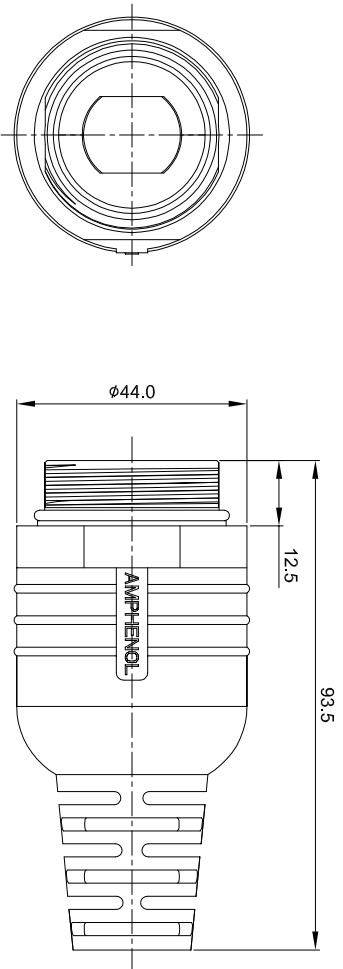


REVISIONS					
REV	ECO	DESCRIPTION	DATE	BY	APPR
A1	-	FIRST RELEASE	May,15,2015	Drack	TOMMY



NOTES: UNLESS OTHERWISE SPECIFIED

- MATERIAL:  
BOOT: THERMOPLASTIC ELASTOMER  
SEAL: VITON  
HOUSING BODY: ZINC DIE CAST, NICKEL PLATED

- SPECIFICATIONS:  
2.1 DEGREE OF PROTECTION: IP67 (MATED CONDITION)  
2.2 RoHS COMPLIANT  
2.3 CABLE OD RANGE: 17.5-18.5mm

3. ALL DIMENSIONS ARE FOR REFERENCE USE ONLY.

QUANTITY	SEE PART NUMBER CHART	PART NUMBER	DESCRIPTION	ITEM
			<b>MATERIALS LIST</b>	

UNLESS OTHERWISE SPECIFIED

- 1) All dimensions are in millimeters.
- 2) Tolerances are as follows:  
1 Pl, DEC 20.30 Fractions ±1/64  
3 Pl, DEC 20.48 Angles ±1°
- 3) Note reference =

MATERIAL SPECIFICATIONS:

APPROVAL:

PROCESS SPECIFICATIONS:

CUSTOMER:

NEXT ASSY:

THIS DRAWING IS SUPPLIED FOR YOUR INFORMATION ONLY. SPECIFICATIONS AND PERFORMANCE DATA SHOWN HEREON ARE THE PROPERTY OF AMPHENOL. ANY REPRODUCTION OR REUSE OF THIS DRAWING OR DIMENSIONS ARE SUBJECT TO NORMAL MANUFACTURING VARIATIONS.

SCALE	TYPE	DWG NO.	REVISION
NONE	B C-	MCAFSR-C18.5	A1

**Amphenol**

Site Systems - [www.amphenol-site.com](http://www.amphenol-site.com)  
44724 Mottley Drive  
Clifton Township, MI 48036

M40.CORD.GRIP.17.5-18.5mm

TITLE:

M40.CORD.GRIP.17.5-18.5mm

DWG NO: MCAFSR-C18.5

REV: A1

SH: 1

OF: 1

# Mouser Electronics

Authorized Distributor

Click to View Pricing, Inventory, Delivery & Lifecycle Information:

[Amphenol:](#)

[MC4FSR-C18.5](#)