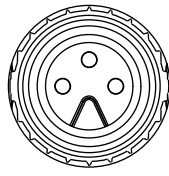


THIS DOCUMENT IS SUBJECT TO CHANGE WITHOUT NOTICE. IT IS CONFIDENTIAL AND A PROPERTY OF Amphenol LTW. DISCLOSURE TO THIRD PARTY HAS TO BE AUTHORIZED BY Amphenol LTW.

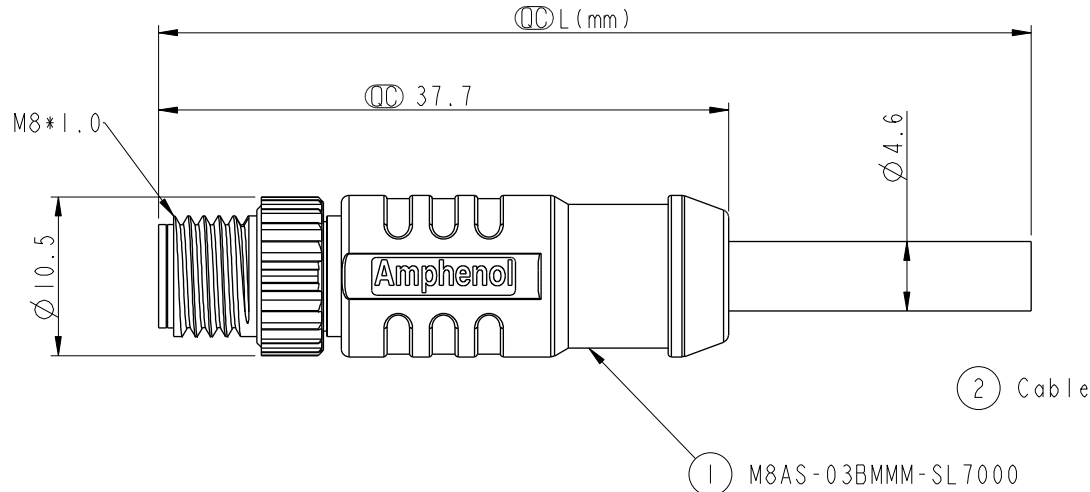
REV.	ECN NO.	DATE	SIGN	DESCRIPTION
A		2018/04/11	Chingmei	New Release

ALTW
CONFIDENTIAL
2018-04-11
R&D DEPT.

ALTW
DCC. DEPT.
CONFIDENTIAL
2018.06.20
ISSUED

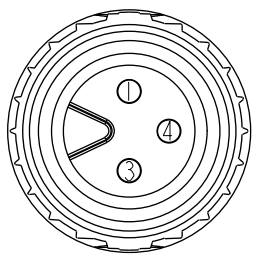


Conn.



① M8AS-03BMMM-SL7000

② Cable



比例 3:1

Pin Assignments
Front View

4	Black 黑
3	Blue 藍
1	Brown 棕
Conn. Wire Color	
Pin Out	

M8AS-03BMMM-SL7AXX

(Cable Length)
XX: 01~99Meters
01: 01Meter
02: 02Meters
:
:
99: 99Meters

Note:

- * Ⓞ Important Dimension
- * Waterproof Rate: IP67
- * Connector: Nylon, Black
- * Pin: Copper Alloy, Gold Plated
- * Screw Nut: Zinc Alloy, Nickel Plated
- * Cable: 3C*24#+AL/MY+B, PVC Jacket, Black
- * Cable Length Tolerance: 01M: ±40mm
02~05M: ±60mm
06~10M: ±100mm
11~30M: ±200mm
31~99M: ±500mm

UNIT:mm	
TOLERANCE	±0.5mm

TITLE G8 SHIELD CONN WITH KEY CABLE SCREW 3PIN M CONN M PIN			
SCALE 2:1	SIZE A4	SHEET 1 OF 1	
REV. A	WC-REV. A.5	Ⓞ: Inspection item	

Amphenol LTW
安費諾亮泰企業股份有限公司

ITEM NO M8AS-03BMMM-SL7AXX	DRAWN BY Chingmei	DATE 2018/04/11
DWG NO M8AS-03BMMM-SL7AXX	CHECKED BY Neo	DATE 2018/04/11
CUSTOMER ALTW	APPROVED BY Max	DATE 2018/04/11

Mouser Electronics

Authorized Distributor

Click to View Pricing, Inventory, Delivery & Lifecycle Information:

[Amphenol:](#)

[M8AS-03BMMM-SL7A01](#) [M8AS-03BMMM-SL7D01](#)