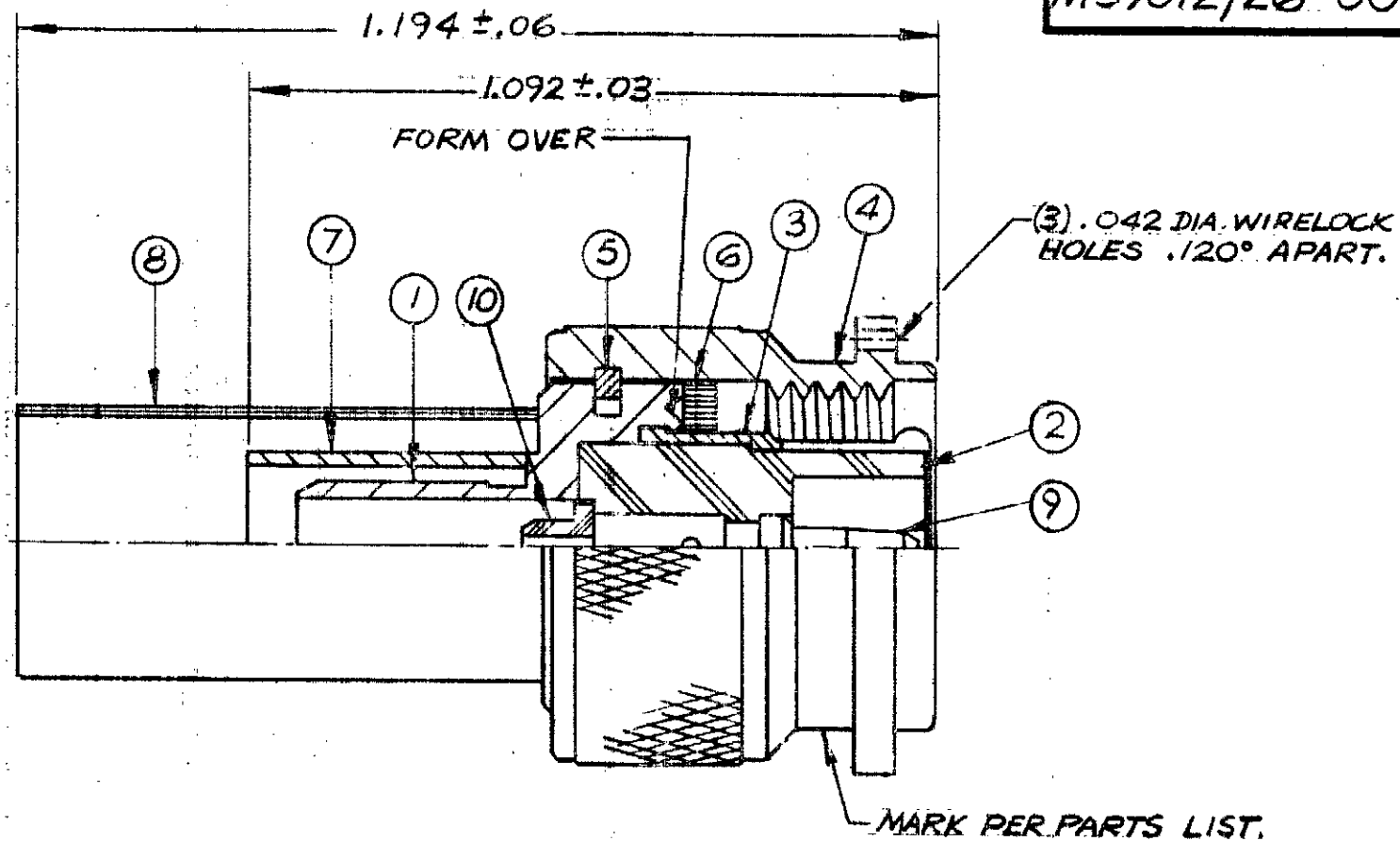


M39012/26-0014



NOTES:

- MATING END DIMENSIONS PER MD-108
- PACKAGE ITEMS 7, 8, 9 & 10 LOOSE WITH CONNECTOR.

SYM	DESCRIPTION	DATE	APPR.	UNLESS OTHERWISE SPECIFIED 1 ALL DIMENSIONS ARE AFTER PLATING 2 BREAK ALL CORNERS & EDGES .006 R MAX. 3 CHAMFER 1ST & LAST THREADS 45° 4 SURFACE ROUGHNESS 63 - MIL STD-15 5 DIAMETERS ON COMMON CENTERS TO BE CONCENTRIC WITHIN .005 T.I.R. 6 REMOVE ALL BURRS	SOLITRON/MICROWAVE PORT SALERNO, FLORIDA	REF.
-	REL F-11009	11/87	[Signature]		MATERIAL _____	TITLE
A	REV. DCN. 20666	4-93	[Signature]		FINISH _____ AREA _____	TNC PLUG CRIMP TYPE FOR RG-71/U D.B. CABLE
				DIMENSIONS ARE IN INCHES TOLERANCES	SCALE _____	DRAWING NO. SHT. 2 OF 2
				DECIMALS FRACTIONAL ANGULAR X ± .030 1/64 X' ± 1'0"	CODE IDENT. NO.	M39012/26-0014
				XXX ± .000 X'X' ± 15'	95077	
				DRAWN [Signature] DATE 11/10/87	SIZE	
				CHECKED [Signature] DATE 11/87	A	
				APPROVED [Signature] DATE 11/87		

Mouser Electronics

Authorized Distributor

Click to View Pricing, Inventory, Delivery & Lifecycle Information:

[Amphenol:](#)

[M39012/26-0014](#)