

TECHNICAL DATA

'' D '' SUBMINIATURE CONNECTORS

SHELL :Steel .
finish :tinned

BODY : Glass filled thermoplastic .
Flame retardant to UL 94 V-0 .
Colour : black .

CONTACTS :Material for sockets : bronze
Material for pins brass
Finish of contact mating area :
30 μ inch (0,8 μ m) Gold over Nickel

ELECTRICAL Voltage rating 300 V Rms to 50Hz .
Nominal current 7,5 A (size20)
Voltage proof >1100 V Rms to 50 Hz
Contact resistance <5m Ohms .
Insulator resistance >5000 M Ohms.

CLIMATIC Temperature range -40°C 125°C
Damp heart 56 days (40°C - 95 % RH)

MECHANICAL Insertion force per contact 1,2N < F <2,5 N
Extraction force per contact 0,4 N mini
Mating and unmating force size E 30N maxi 3.5N mini
A 50N maxi 4.5N mini
B 83N maxi 8.0N mini
C 123N maxi 11N mini
D 166N max 14.5N mini

(With or without dimples)

MARKING Amphenol -(serie number)
Commercial reference
Manufacturing date

L 177DF * G **

* OL2 RM5

177 Tinned Shell
717 Tinned shell with DIMPLES
monobloc dielectric

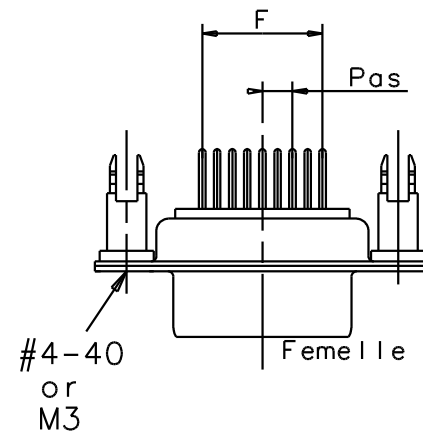
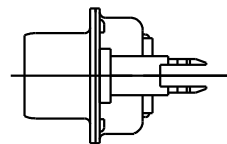
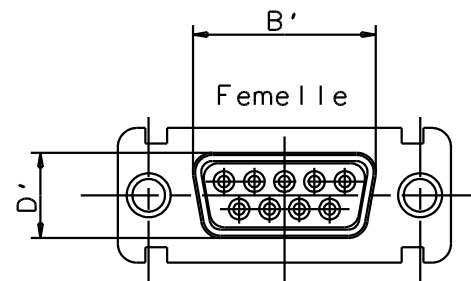
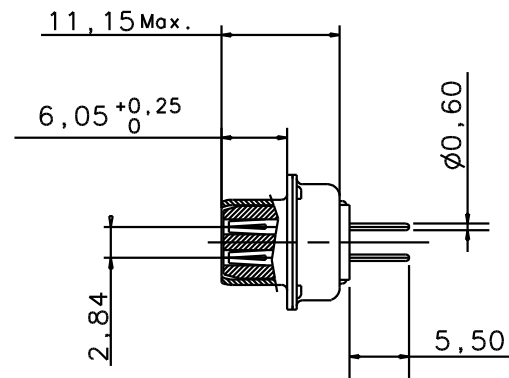
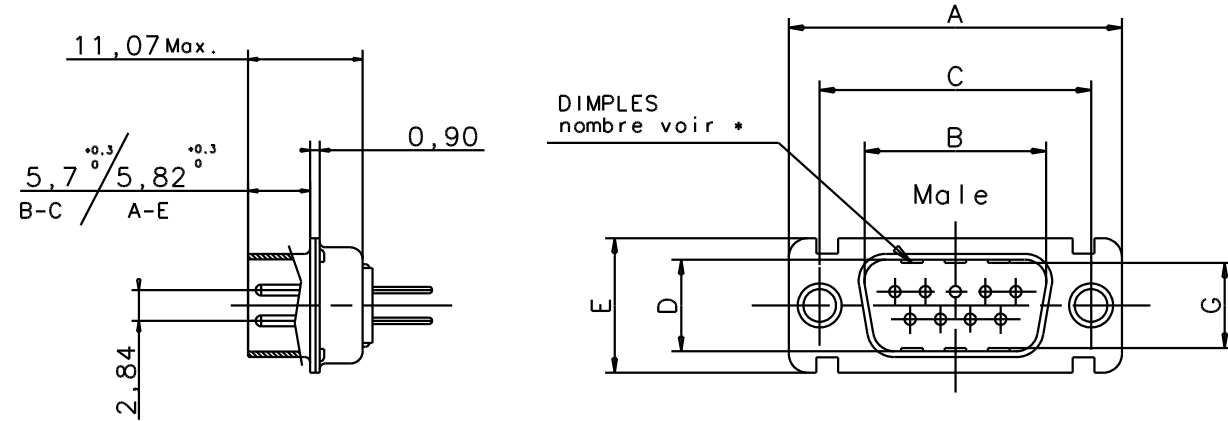
Shell size :
E-A-B-C-D

Mounting type
RM5 -G- M3 threaded
RM5 -H- #4-40 threaded

Configuration :
09-15-25-37-50

contact type :
OL2
Straight printed circuit
board (PCB)
RM5
Snap-in stand-off boardlock
#4-40 or M3 threaded

Contact type : S = female
P = male



Taille boîtier	A	B'	B	C	D'	D	E	F ±0,05	Pas	G	*
E	30,11	16,46	17,04	25,12	8,03	8,48	12,93	10,98	2,74	7,62	2x3
A	30,43	16,79	17,37	25,45	8,03	8,48	12,93	19,20	2,74	7,62	2x5
B	34,02	20,51	21,09	29,17	8,03	8,48	12,93	33,12	2,76	7,62	2x8
C	39,40	24,71	25,29	33,37	8,03	8,48	12,93	49,68	2,76	7,62	2x12
D	41,5	26,06	26,64	35,24	10,87	11,33	15,75	44,20	2,76	10,5	2x12

Amphenol Socapex
Usine de Dole

C	VOLTAGE PROOF	06/07/2004	Quere
B	RMG-G RM5-H	05/11/02	Quere
A	Creation plan	08/12/98	Quere
IND.	MODIFICATION	DATE	Execut/Approb

ECHELLE:1.5

PLAN NOTICE

DOSSIER:

N SERIE 017F DESIGNATI L 177DF *G** * OL2 RM5

COMMUNICATION ET UTILISATION INTERDITES SAUF AUTORISATION

17DF-69

DATE DU TIRAGE

N CLIENT

N OUTIL

N ETUDE

Mouser Electronics

Authorized Distributor

Click to View Pricing, Inventory, Delivery & Lifecycle Information:

[Amphenol:](#)

[L177DFAG15SOL2RM5](#)