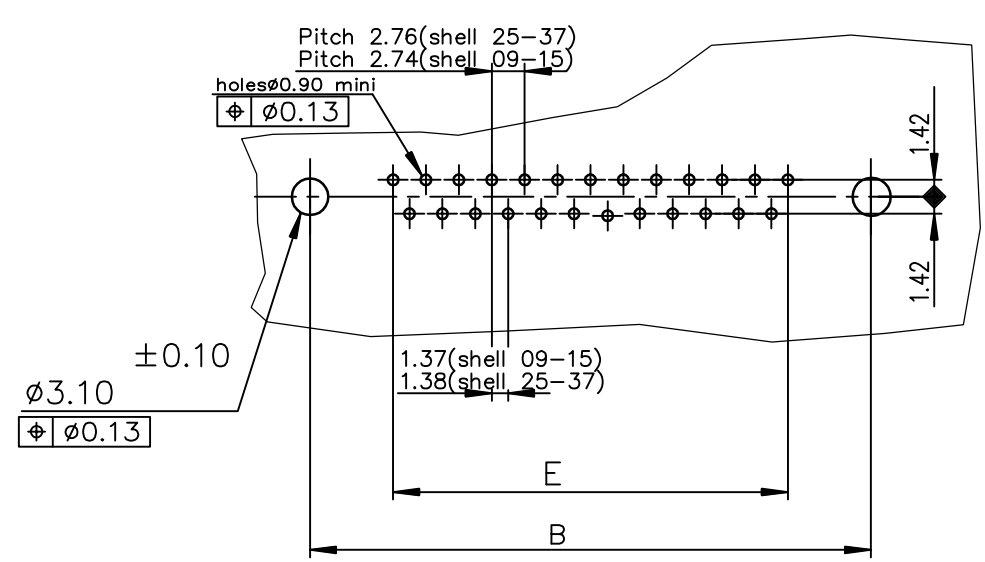


PC card drilling dimensions(after plating)
(thickness 1.60±0.20mm)



SHELL	PART NUMBER	A±0.38	B±0.12	C±0.10	D±0.25	E±0.07
09	D09S24A6GV146LF	30.81	24.99	16.96	16.21	10.96
15	D15S24A6GV146LF	39.14	33.32	25.18	24.54	19.18
25	D25S24A6GV146LF	53.03	47.04	39.12	38.25	33.12
37	D37S24A6GV146LF	69.32	63.50	55.68	54.71	49.68

Special code 146-0.76μ gold plated contacts

FOR ALL OTHER TECHNICAL CHARACTERISTICS:
SEE DRAWING C01-8646-0000

mat'l. code		surface		tolerance		projection		product family	
-		ISO 1302 ✓		ISO 406 ISO 1101				D-SUB	
ltr		ecn no		dr		date		title	
A		-		GREGAR		2016-14-12		DELTA-D STRAIGHT SPILL 0.76μ GOLD PLATED CONTACTS	
								dwg no	
								10142204	
								sheet 1 of 1	
								size	
								A3	
								type	
								Product Customer Drawing	
sheet index		revision		A					
1		sheet		1					

Mouser Electronics

Authorized Distributor

Click to View Pricing, Inventory, Delivery & Lifecycle Information:

[FCI / Amphenol:](#)

[D09S24A6GV146LF](#)