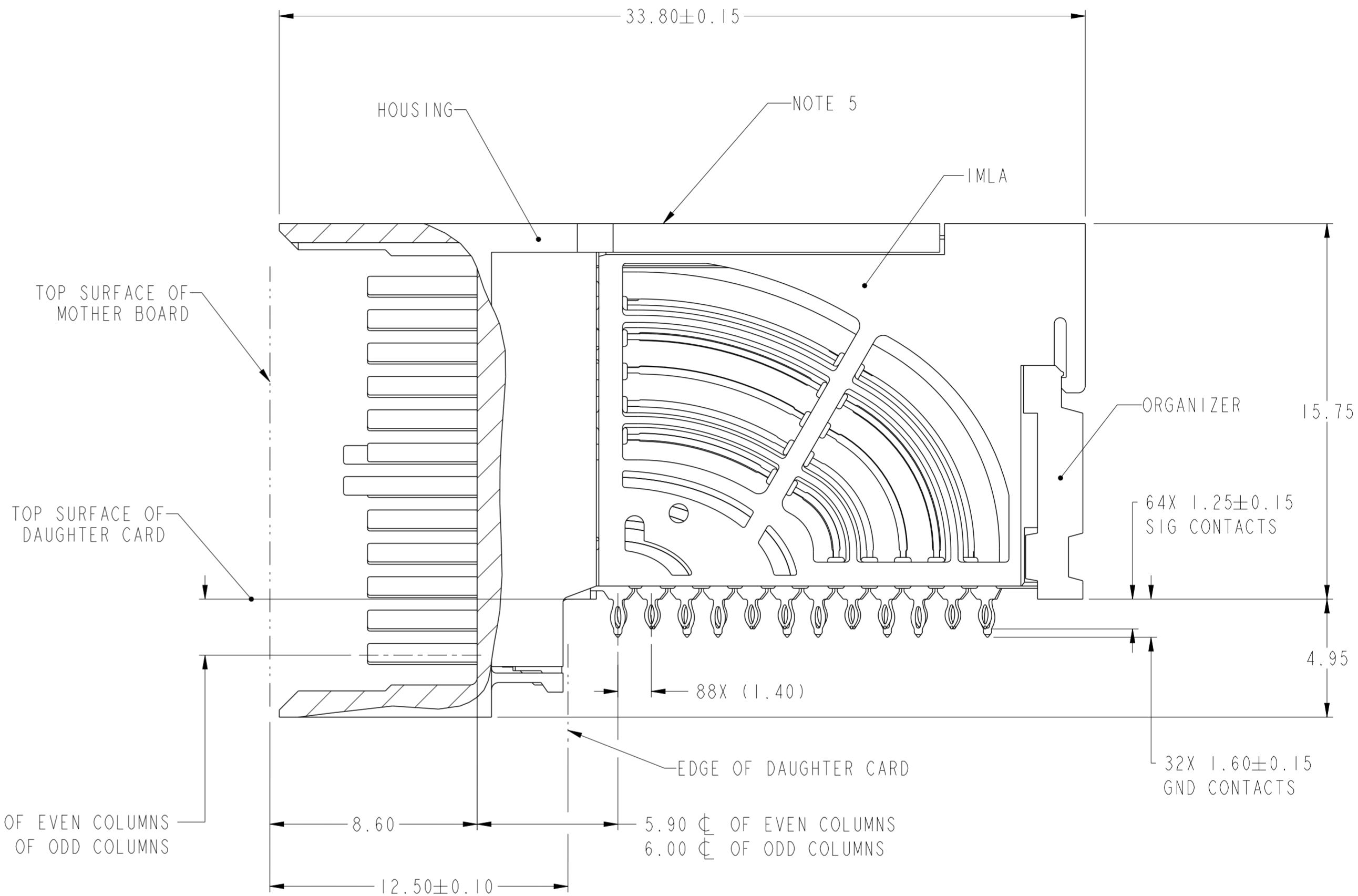
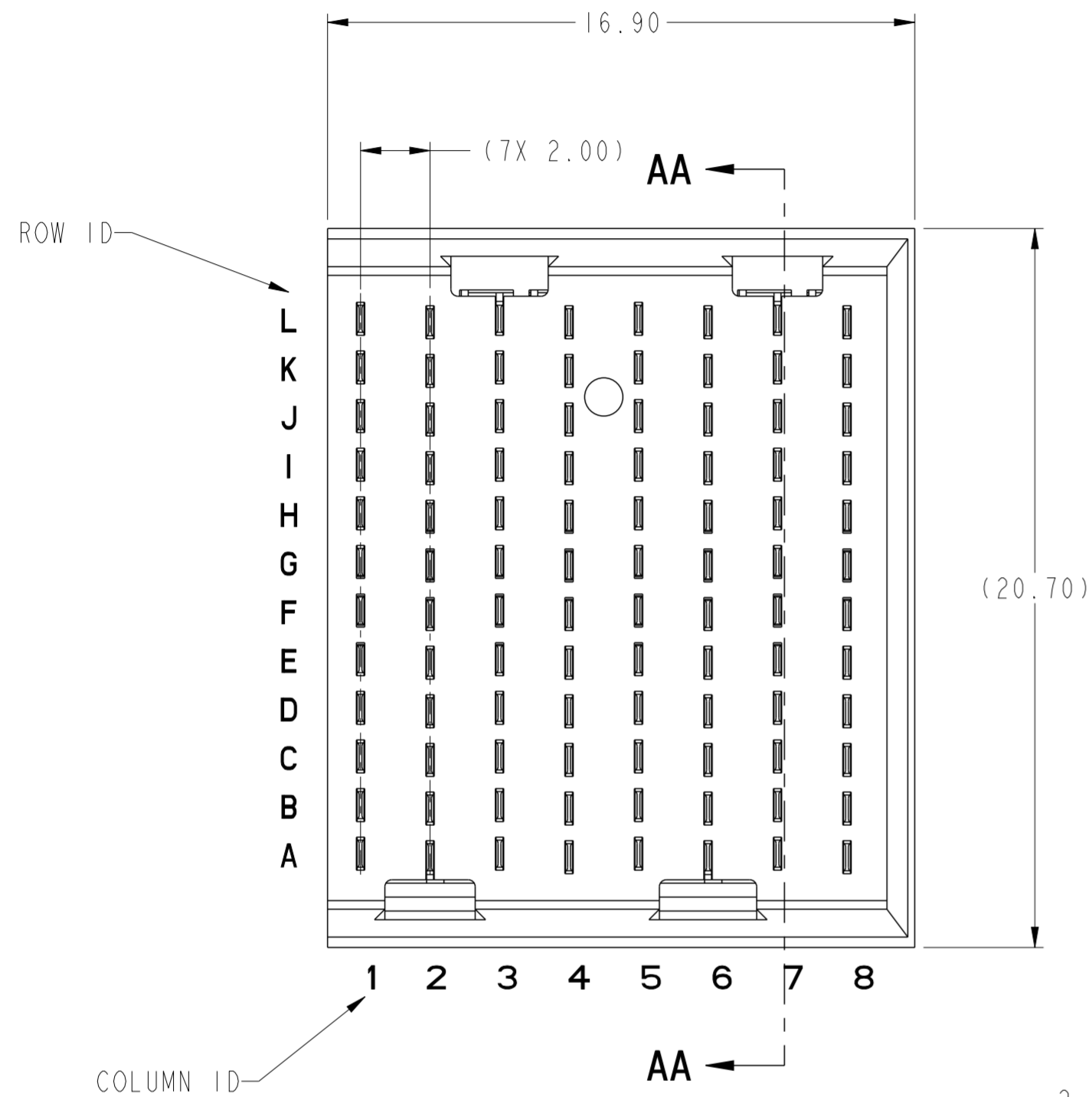


PRODUCT NUMBER	PRESS-FIT TAIL PLATING TYPE
10131510-101LF	TIN OVER NICKEL (LEAD FREE)



SECTION AA-AA

2.35 ϕ OF EVEN COLUMNS
2.25 ϕ OF ODD COLUMNS

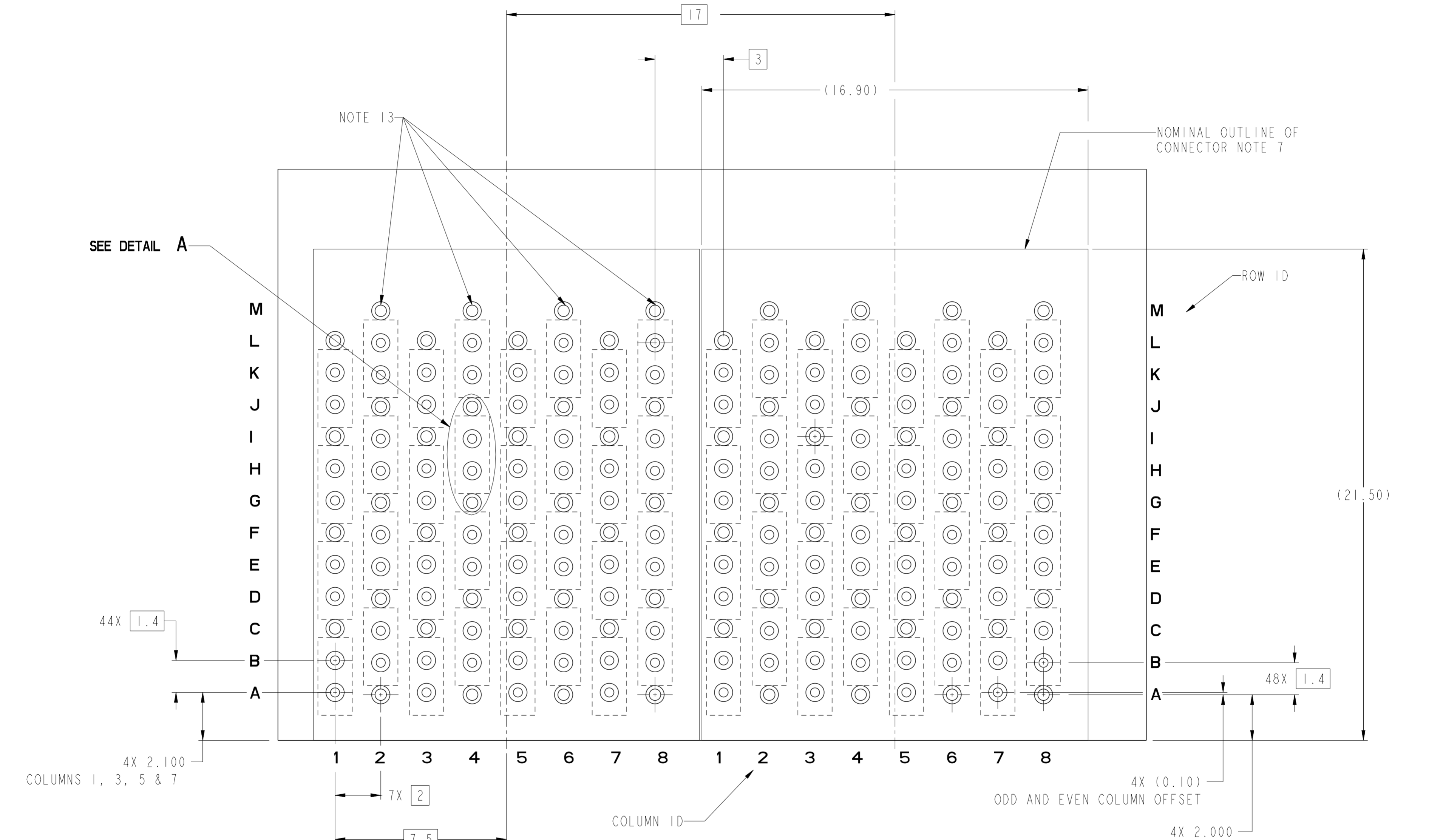
5.90 ϕ OF EVEN COLUMNS
6.00 ϕ OF ODD COLUMNS

spec ref	---	dr	Tao Zhan	2014/08/29	projection	MM	size	A2	scale	10:1
tolerance std	ASME Y14.5M	eng	Art Lin	2016/11/09			ecn no	ELX-DG-2525-1	rel level	Released
TOLERANCES UNLESS OTHERWISE SPECIFIED		chr	Heaven Cen	2016/11/17						
		appr	Pai-Ming Zheng	2016/11/18						
surface	linear	0.X	±.3	Amphenol FCI www.fci.com	title AirMax VSe R.A. HEADER 4 Pair, 96 pos, 8 Col, 3 Wall, Left Side		dwg no 10131510	rev C		
		0.XX	±.15							
		0.XXX	±.050							
	angular	0°	±2°	cat. no.	Product - Customer Drw		sheet 1 of 3			

PDS: Rev :C

STATUS:Released

Printed: Nov 18, 2016

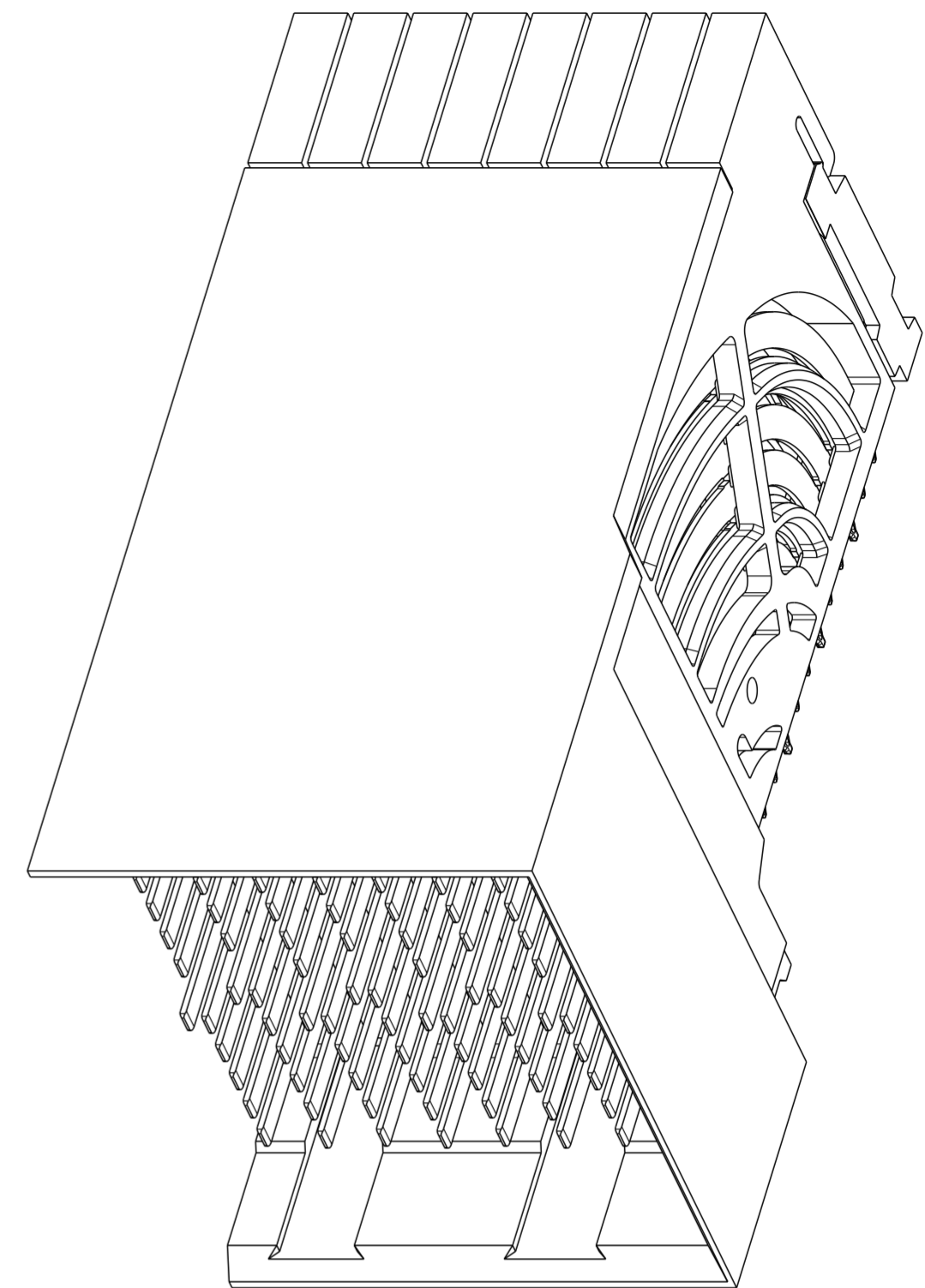


RECOMMENDED PCB LAYOUT
FOR DIFFERENTIAL APPLICATIONS
COMPONENT SIDE
(TWO ADJACENT FOOTPRINTS SHOWN)
NOTES 8 & 12
SCALE 8:1

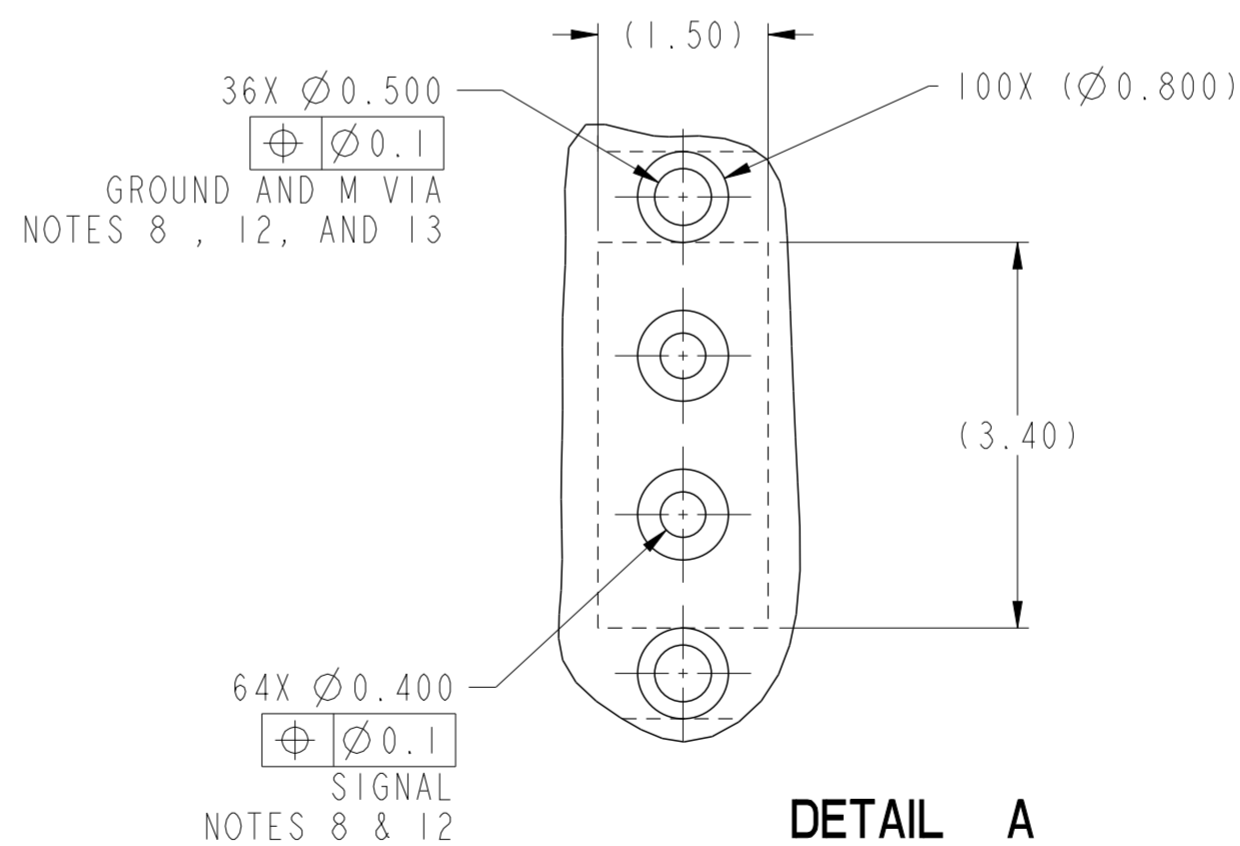
spec ref	---	dr	Tao Zhan	2014/08/29	projection	MM	size	A2	scale	8:1									
tolerance std	ASME Y14.5M	eng	Art Lin	2016/11/09			ecn no	ELX-DG-2525-1	rel level	Released									
TOLERANCES UNLESS OTHERWISE SPECIFIED		chr	Heaven Cen	2016/11/17															
		appr	Pei-Ming Zheng	2016/11/18															
surface	<table border="1"> <tr> <td>linear</td> <td>0.X</td> <td>±.3</td> </tr> <tr> <td></td> <td>0.XX</td> <td>±.15</td> </tr> <tr> <td></td> <td>0.XXX</td> <td>±.050</td> </tr> <tr> <td>angular</td> <td>0°</td> <td>±2°</td> </tr> </table>	linear	0.X	±.3		0.XX	±.15		0.XXX	±.050	angular	0°	±2°			title AirMax VSe R.A. HEADER 4 Pair, 96 pos, 8 Col, 3 Wall, Left Side		dwg no 10131510	rev C
linear	0.X	±.3																	
	0.XX	±.15																	
	0.XXX	±.050																	
angular	0°	±2°																	
		www.fci.com		cat. no.	Product - Customer Drw		sheet 2 of 3												

- ① - CONNECTOR MATERIALS:
HOUSING: LCP, 20% MINIMUM GLASS, NATURAL, UL94-V0
IMLA PLASTIC: HIGH TEMP THERMOPLASTIC, BLACK, UL94-V0
CONTACT: COPPER ALLOY
ORGANIZER: HIGH TEMP THERMOPLASTIC, NATURAL, UL94-V0
- 2 - CONTACT PLATING:
SEPARABLE INTERFACE:
PERFORMANCE-BASED PLATING, QUALIFIED TO MEET THE REQUIREMENTS OF FCI PRODUCT SPECIFICATION GS-12-0956 INCLUDING TELCORDIA GR-1217-CORE (NOVEMBER 1995) CENTRAL OFFICE TEST SEQUENCE

PRESS-FIT TAILS: SEE TABLE
- 3 - PRODUCT SPECIFICATION: GS-12-0956
- 4 - APPLICATION SPECIFICATION: GS-20-0305
- ⑤ - PRODUCT MARKING, (PROTOTYPE, PART NUMBER & LOT CODE), ON THIS SURFACE.
- ⑥ - POSITIONS "F" OF ODD NUMBERED COLUMNS AND POSITIONS "G" OF EVEN NUMBERED COLUMNS CORRESPOND TO EARLY MATE HEADER PINS.
- ⑦ - CONNECTOR OUTLINE MAY BE SCREEN PRINTED ONTO CUSTOMER PCB TO BE USED AS A GUIDE FOR CONNECTOR PLACEMENT.
- ⑧ - REFER TO CUSTOMER DRAWING 10104444 FOR INFORMATION ON PCB HOLE DIAMETERS AND PLATING OPTIONS
- 9 - LEAD FREE PRODUCT MEETS THE EUROPEAN UNION DIRECTIVES & OTHER COUNTRY REGULATIONS AS DESCRIBED IN GS-22-008
- 10 - A \triangle SYMBOL WILL BE NEXT TO ANY DIMENSION, VIEW, OR NOTE THAT HAS BEEN MODIFIED WITH THE CURRENT DRAWING REVISION.
- 11 - PACKAGING MEETS GS-14-920 LEAD FREE LABELING SPECIFICATION.
- ⑫ - GROUND CONTACTS (C, F, I & L IN ODD COLUMNS AND A, D, G & J IN EVEN COLUMNS) REQUIRE ($\varnothing 0.500$) FINISHED HOLES. SIGNAL LOCATIONS REQUIRE ($\varnothing 0.400$) FINISHED HOLES
- ⑬ - THESE OUTER VIAS (M) ARE OPTIONAL. WHILE NO CONNECTOR EONS ARE PRESSED INTO THESE HOLES WE RECOMMEND ($\varnothing 0.500$) FINISHED HOLES AT THESE LOCATIONS TO PROVIDE GROUND SYMMETRY THROUGH THE PCB.



10131510-101LF



DETAIL A
SCALE 15:1

spec ref	---	dr	Tao Zhan	2014/08/29	projection	MM	size	A2	scale	10:1										
tolerance std	ASME Y14.5M	eng	Art Lin	2016/11/09			ecn no	ELX-DG-25255-1												
TOLERANCES UNLESS OTHERWISE SPECIFIED		chr	Heaven Cen	2016/11/17			rel level	Released												
surface	<table border="1"> <tr> <td>linear</td> <td>0.X</td> <td>$\pm .3$</td> </tr> <tr> <td></td> <td>0.XX</td> <td>$\pm .15$</td> </tr> <tr> <td></td> <td>0.XXX</td> <td>$\pm .050$</td> </tr> <tr> <td>angular</td> <td>0°</td> <td>$\pm 2^\circ$</td> </tr> </table>	linear	0.X	$\pm .3$				0.XX	$\pm .15$		0.XXX	$\pm .050$	angular	0°	$\pm 2^\circ$	appr	Pai-Ming Zheng	2016/11/18	product family	
linear	0.X	$\pm .3$																		
	0.XX	$\pm .15$																		
	0.XXX	$\pm .050$																		
angular	0°	$\pm 2^\circ$																		
				title AirMax VSe R.A. HEADER 4 Pair, 96 pos, 8 Col, 3 Wall, Left Side		cat. no. 10131510	rev C	Product - Customer Drw sheet 3 of 3												

Mouser Electronics

Authorized Distributor

Click to View Pricing, Inventory, Delivery & Lifecycle Information:

[FCI / Amphenol:](#)

[10131510-101LF](#)