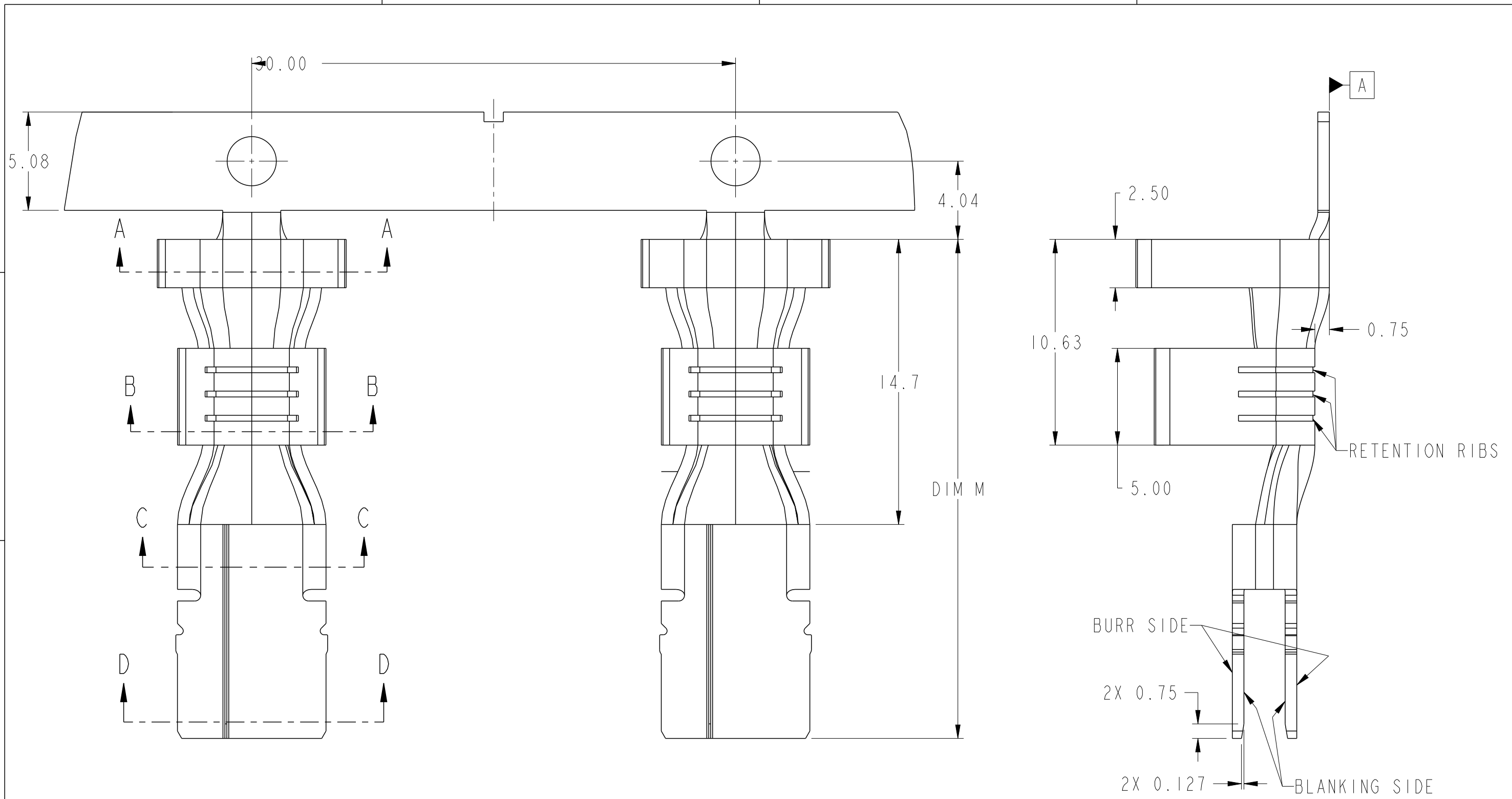


1

2

3

4



FORMED LAYOUT
DIE DIRECTION →



Copyright FCI.

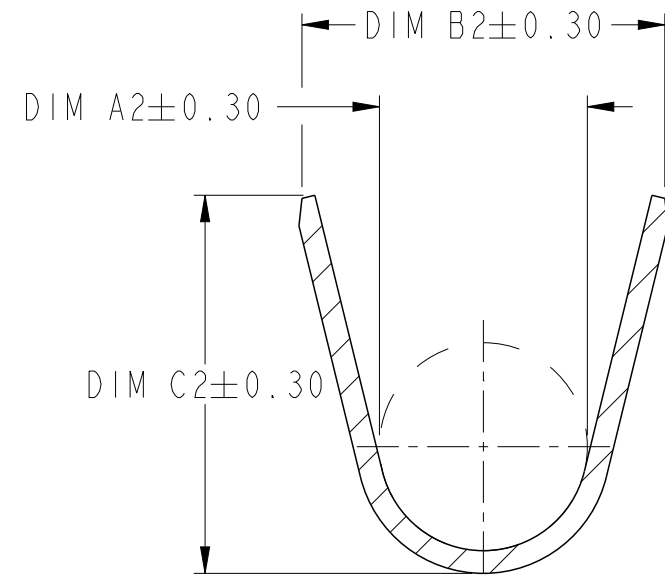
spec ref -		dr Rainbow Zhan	2015/06/09	projection	mm	size A3	scale 5:1
tolerance std ISO 406 ISO 1101		TOLERANCES UNLESS OTHERWISE SPECIFIED		eng Rainbow Zhan	2015/12/29	ecn no -	
		chr -	-	product family PwrBlade ULTRA		rel level Released	
surface ✓		linear	0.X ±0.3 0.XX ±0.25 0.XXX ±0.15	CABLE POWER CONTACT RECEPTACLE, PwrBlade +		dwg no 10135689	
ISO 1302		angular	0° ±10°	www.fci.com		cat. no. -	Product - Customer Drw
				rev A		sheet 1 of 4	

1

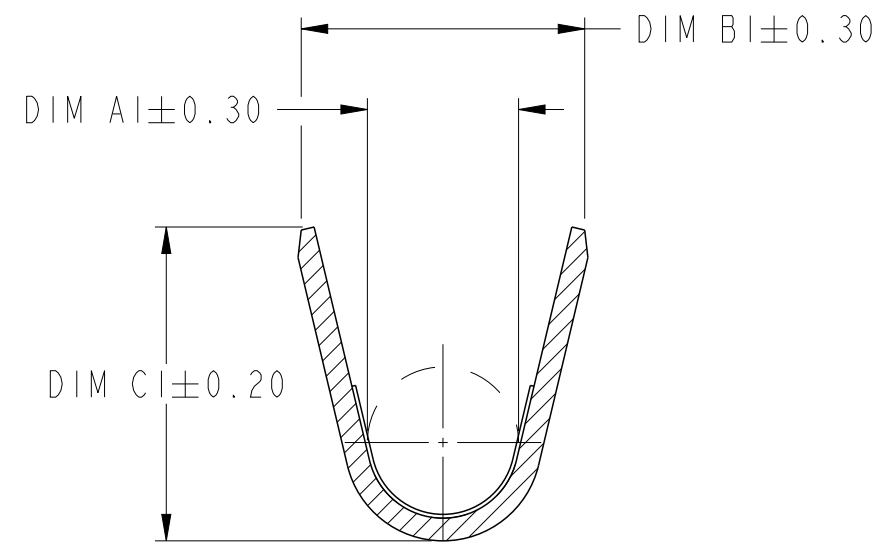
2

3

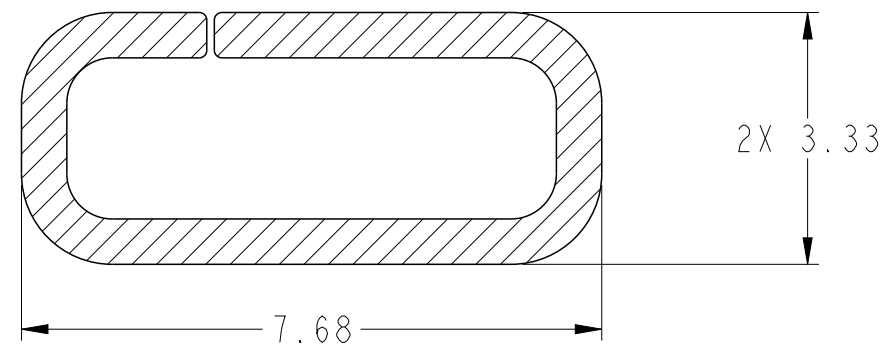
4



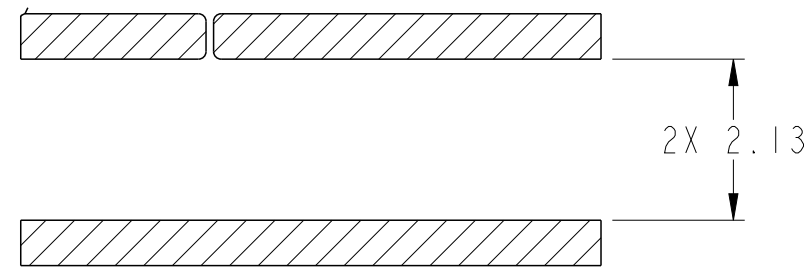
SECTION A-A



SECTION B-B



SECTION C-C
SCALE 10:1



SECTION D-D
SCALE 10:1



Copyright FCI.

spec ref	-	dr	Rainbow Zhan	2015/06/09	projection		size	A3	scale	5:1	
tolerance std	ISO 406 ISO 1101	eng	Rainbow Zhan	2015/12/29	mm		ecn no	-	rel level	Released	
TOLERANCES UNLESS OTHERWISE SPECIFIED		chr	-	-	product family	PwrBlade ULTRA	rel level	Released			
surface	✓	appr	Pei-Ming Zheng	2015/12/29	CABLE POWER CONTACT			dwg no	10135689	rev	A
ISO 1302	linear	0.X	±0.3	www.fci.com	cat. no.	-	Product - Customer Drw	sheet 2 of 4			
		0.XX	±0.25								
		0.XXX	±0.15								
	angular	0°	±10°								

2

3

PDS: Rev :A

STATUS:Released

Printed: Dec 31, 2015

1

2

3

4

A

B

C

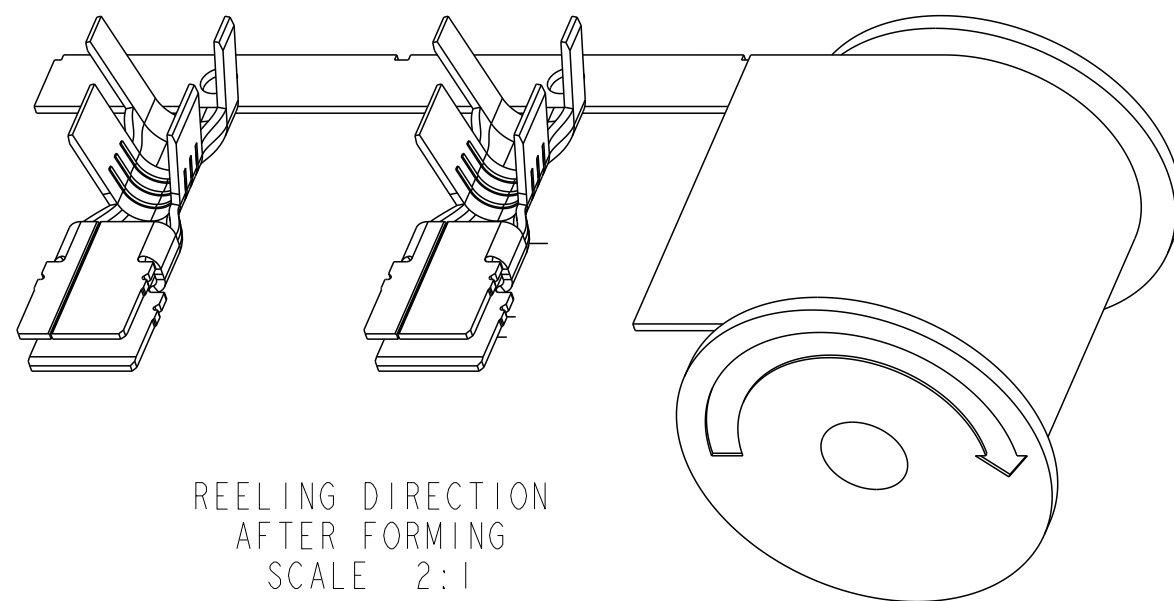
D

A

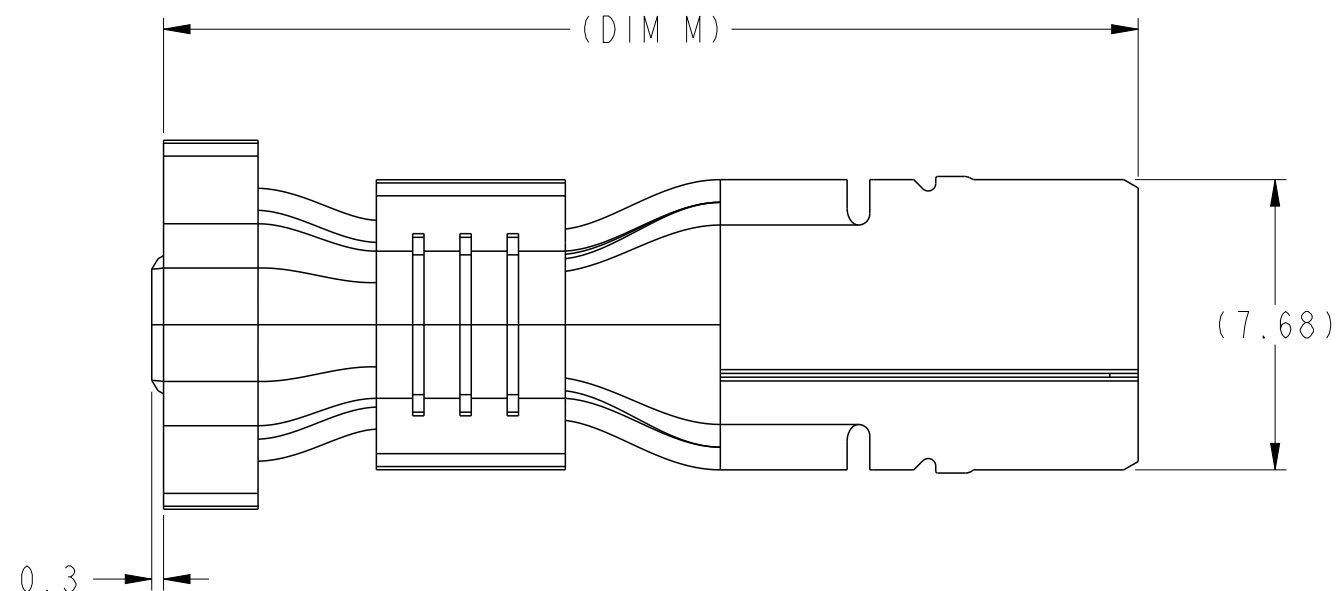
B

C

D



REELING DIRECTION
AFTER FORMING
SCALE 2:1



LOOSE PIECE
CONTACT

spec ref -		dr Rainbow Zhan	2015/06/09	projection	mm	size A3	scale 5:1	
tolerance std ISO 406 ISO 1101		TOLERANCES UNLESS OTHERWISE SPECIFIED				ecn no -		
surface -		eng Rainbow Zhan	2015/12/29			product family PwrBlade ULTRA		rel level Released
ISO 1302		linear	0.X	±0.3		CABLE POWER CONTACT		dwg no 10135689 rev A
			0.XX	±0.25		RECEPTACLE, PwrBlade +		
			0.XXX	±0.15		cat. no. -		
	angular	0°	±10°	www.fci.com		Product - Customer Drw		sheet 3 of 4

2

3

PDS: Rev :A

STATUS:Released

Printed: Dec 31, 2015



Copyright FCI.

PART NUMBER	DESCRIPTION	PLATING	DIM A1	DIM B1	DIM C1	DIM A2	DIM B2	DIM C2	DIM M
10135689-091102LF	FORMED 10-12AWG CONTACT	GXT	2.80	5.60	6.3	4.20	7.30	7.40	25.9
10135689-092102LF	FORMED 10-12AWG CONTACT	GXT							24.6
10135689-091082LF	FORMED 8AWG CONTACT	GXT	4.00	7.32	7.90	5.50	9.60	10.00	25.9
10135689-092082LF	FORMED 8AWG CONTACT	GXT							24.6
10135689-091062LF	FORMED 6AWG CONTACT	GXT	5.50	8.92	8.80	7.00	11.70	12.00	25.9
10135689-092062LF	FORMED 6AWG CONTACT	GXT							24.6

NOTES:

- MATERIAL:
COPPER ALLOY ,0.600 THICK.
- PLATING SPECIFICATION:
0.76 μ m[30 μ] GXT(PdNi+Gold Flash) OVER 1.27 μ m[50 μ]Ni ON CONTACT AREA
0.5-1.5 μ m[20 μ -6020 μ] MATTE TIN OVER 1.27 μ m[50 μ]Ni ON CRIMPING AREA
- DIM A2 DENOTES MAXIMUM O.D. OF WIRE INSULATION PERMISSIBLE REFER UL1015.
- PRODUCT SPEC: GS-12-1267.
- APPLICATION SPEC: GS-20-0435.
- APPLICABLE HOUSING PN: 10129443-* ,10128858-* , 10128887-*.

spec ref	-	dr	Rainbow Zhan	2015/06/09	projection		mm	size	A3	scale	5:1
tolerance std	ISO 406 ISO 1101	eng	Rainbow Zhan	2015/12/29	chr	-		ecn no	-		
	TOLERANCES UNLESS OTHERWISE SPECIFIED	appr	Pei-Ming Zheng	2015/12/29	product family	PwrBlade ULTRA		rel level	Released		
surface		linear	0.X	± 0.3		CABLE POWER CONTACT RECEPTACLE, PwrBlade +	dwg no	10135689	rev	A	www.fci.com
			0.XX	± 0.25							
			0.XXX	± 0.15							
	ISO 1302	angular	0°	$\pm 10^\circ$	cat. no.	-	Product - Customer Drw	sheet 4 of 4			



Copyright FCI.

Mouser Electronics

Authorized Distributor

Click to View Pricing, Inventory, Delivery & Lifecycle Information:

[FCI / Amphenol:](#)

[10135689-092102LF](#)