

PRODUCT NUMBER

10050682-X XX H T LF

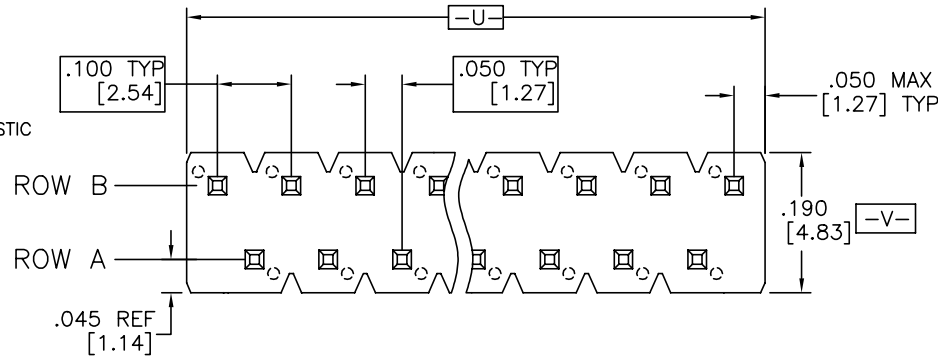
LEAD FREE OPTION
SPECIAL OPTIONS
SEE NOTE 7

HIGH TEMPERATURE PLASTIC
SEE NOTE 1

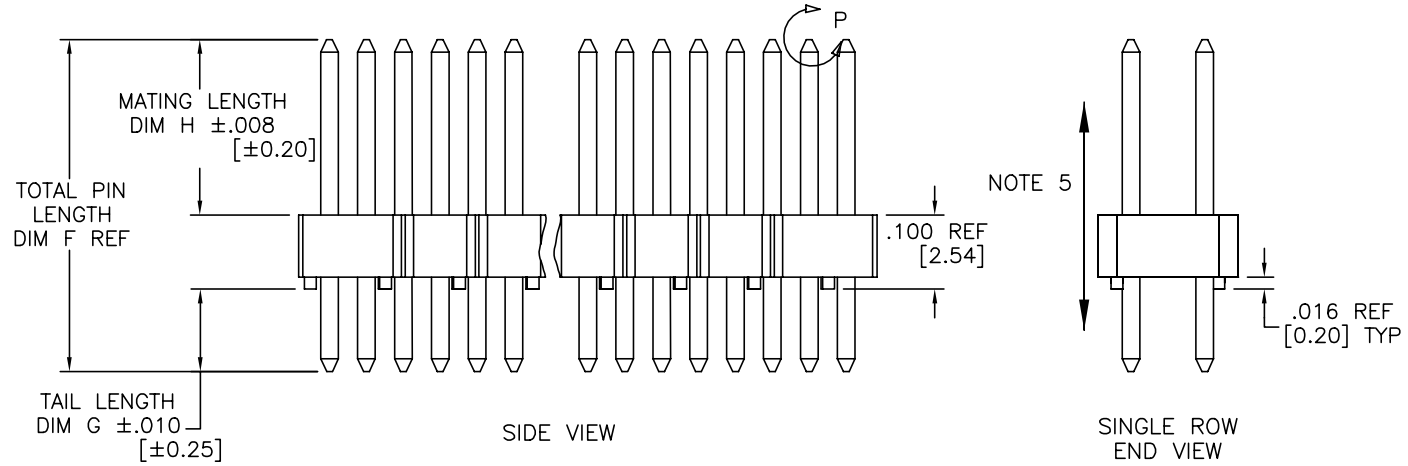
NO. OF POSITIONS
SEE NOTE 10

PIN PLATING
SEE SHEET 2

BASE PART NO.



TOP VIEW

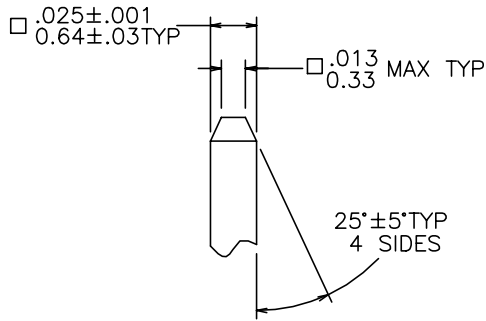


SIDE VIEW

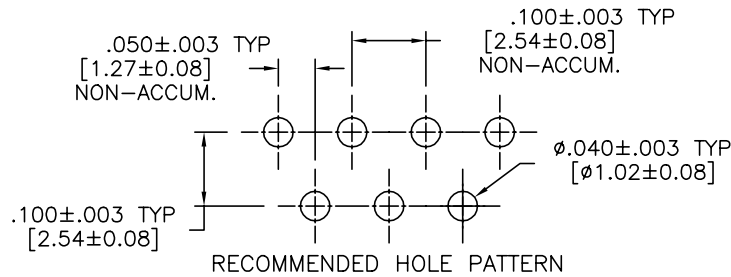
SINGLE ROW END VIEW

⊕ ⌀.020/.51 Ⓜ U Ⓜ V Ⓢ

NOTE 3



DETAIL P
TYP BOTH ENDS



RECOMMENDED HOLE PATTERN

mat'l. code		surface ISO 1302 ✓	tolerance ISO 406 ISO 1101	projection ⊕	product family BERGSTIK
ltr	ecr	nodr	date	tolerances unless otherwise specified	
A	V05-0169	DAI	2/16/05	angles	title
B	V05-0251	HTB	3/17/05	linea	BERGSTIK® II HEADER
C	M05-0098	MHT	5/23/05	0°±2'	.100/2.54cc STAG. ROW
D	M05-0177	MHT	8/11/05	chr	dwg no
E	M06-0271	AGS	7/14/06	engr	sheet 1 of 2
F	M08-0279	MHT	9/30/08	chr	size
G	BL-N-17142	ZK	03/07/14	appd	10050682
sheet	revision	G	G	scale 1:1	
index	sheet	1	2	type Product Customer Drawing	



FCI
FCIconnect.com

Copyright FCI

PRODUCT NUMBER	TOTAL PIN LENGTH		TAIL LENGTH		MATING LENGTH		NO. OF PINS ROW A	NO. OF PINS ROW B	PACKAGING	DWG TUBE
	DIM F	DIM F	DIM G	DIM G	DIM H	DIM H				
	ENGLISH	METRIC	ENGLISH	METRIC	ENGLISH	METRIC				
10050682-X23H	0.661	16.79	0.082	2.08	0.479	12.16	11	12	TUBES	337144
10050682-X23HLF	0.661	16.79	0.082	2.08	0.479	12.16	11	12	TUBES	337144

PIN PLATING CODES:	
XXXXXXXX-4YY	120u"/3.05u MIN 93/7 SnPb OVER 50u"/1.27u MIN Ni
XXXXXXXX-4YYLF	100u"/2.54u MIN TIN OVER 50u"/1.27u MIN Ni

NOTES

- ① BODY MATERIAL :
FOR HIGH-TEMPERATURE APPLICATIONS, SPECIFY AN "H" AT THE END OF THE PART NUMBER, PCT WILL BE SUPPLIED. FLAME RETARDENT PER UL94V-0.
OR
MINERAL FILLED LCP FLAME RETARDENT PER UL-94V-0. COLOR: BLACK.
- ② PIN MATERIAL : BRASS.
- ③ MEASURED WITH PART IN RESTRAINED CONDITION.
- 4. TWO SIDES OF PIN TIPS NOT PLATED. TYPICAL BOTH ENDS.
- ⑤ 2LBS/0.9KG MIN PIN RETENTION IN EITHER DIRECTION.
- 6. PACKAGED IN POLY BAGS.
- ⑦ EIGHT DIGIT PART NUMBERS FOLLOWED BY A "T" ARE PACKAGED IN TUBES. SEE SPECIFIC PART NUMBERS FOR AVAILABILITY.
- 8. MILITARY BERGSTIK HEADER
P/N XXXXX-YYY-MIL.
NOT AVAILABLE.
- 9. NOTCH CONFIGURATION WILL VARY PER VENDOR'S DISCRETION.
- ⑩ ANY NUMBER OF POSITIONS IN ROW B FROM 2 THRU 36.
ROW A WILL HAVE ONE LESS POSITION THAN ROW B.

mat'l. code	surface ISO 1302 ✓	tolerance ISO 406 ISO 1101	projection 	product family BERGSTIK
ltr ecn nodr date	tolerances unless otherwise specified			title BERGSTIK® II HEADER .100/2.54cc STAG. ROW
G	angles 0°±2°	linea XX±.01/XX±0.3 XXX±.005/XXX±0.13 XXXX±.0020/XXXX±0.051	INCH/MM scale 1:1	dwg no 10050682
	dr T. BRUNGARD 12/03/04	engr H. SUNDY 12/03/04	chr H. SUNDY 12/03/04	sheet 2 of 2 size A3
	appd H. SUNDY 12/03/04	type Product Customer Drawing		
sheet index	revision sheet			

Copyright FCI
 FCIconnect.com

Mouser Electronics

Authorized Distributor

Click to View Pricing, Inventory, Delivery & Lifecycle Information:

[FCI / Amphenol:](#)

[10050682-423HT](#)