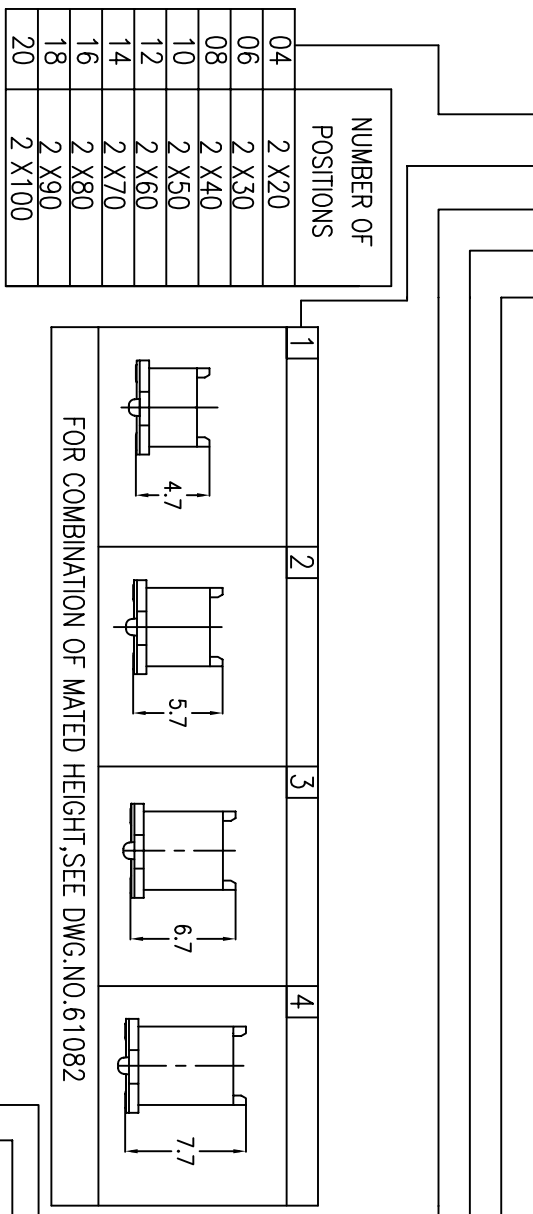


61083-



PACKAGING	
0	TUBE WITHOUT CAP
2	TAPE & REEL WITH CAP
9	TUBE WITH CAP
3	TRAY WITH CAP
6	TAPE & REEL WITHOUT CAP (WITH KAPTON TAPE)

POLARIZATION PEG		HOLD DOWN	
0	YES		NO
2	NO		NO
4	YES		YES(note 6.)

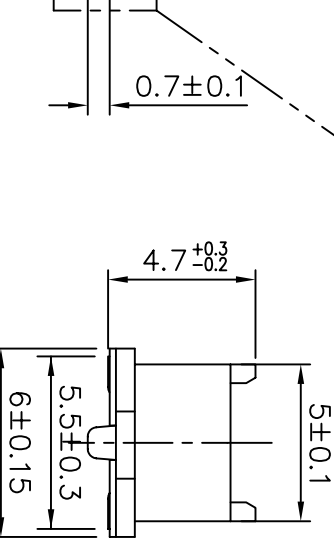
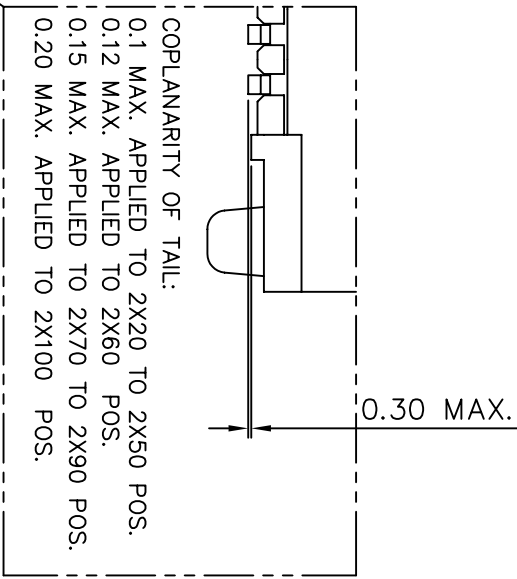
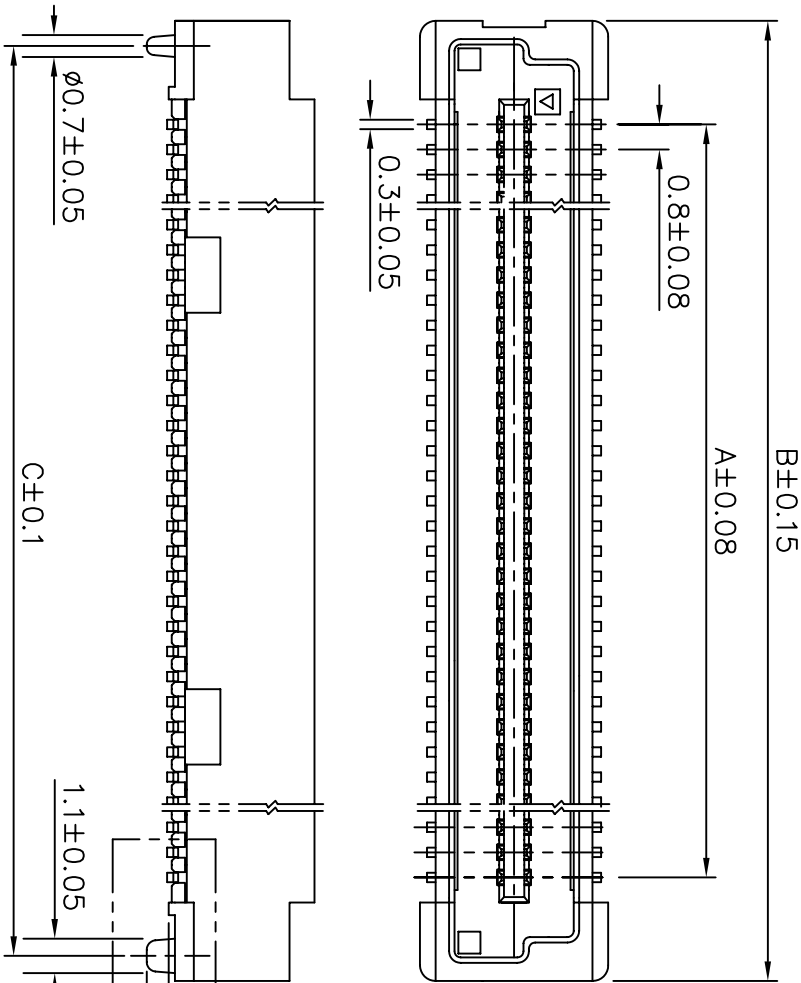
NOTES:

1. MATERIAL:
HOUSING: G.F.LCP UL94V-0
TERMINAL: BRASS
2. PLATING:
AS TABLE SHOW.
3. SEE GS-12-547 FOR PRODUCT SPECIFICATION.
4. SEE GS-14-551 AND GS-14-816 FOR PACKAGING SPECIFICATION.
5. PACKING OPTION 3: "CUSTOMER-SPECIFIC; LIMITED TO CERTAIN SIZES"
PACKING OPTION 2: NOT ALL SIZES AVAILABLE; CHECK WITH FACTORY"
6. ONLY PLUG 1: 80 POSITIONS AVAILABLE.
PLUG 4: 120 POSITIONS AVAILABLE.
7. THIS PRODUCT MEETS EUROPEAN UNION DIRECTIVES AND OTHER COUNTRY REGULATIONS AS DESCRIBED IN GS-22-008
8. THE HOUSING WILL WITHSTAND EXPOSURE TO 260°C PEAK TEMPERATURE FOR 10 SECONDS IN A CONVECTION, INFRA-RED OR VAPOR PHASE REFLOW OVEN.
9. PLATING OPTION '4' IS LEADFREE ALTERNATIVE FOR OPTION '0', AND OPTION '6' IS LEADFREE ALTERNATIVE FOR OPTION '1'.
10. A Δ SYMBOL WILL BE NEXT TO ANY DIMENSION, NOTE OR VIEW WHICH HAS BEEN MODIFIED WITH THE CURRENT DRAWING REVISION.

PLATING ON CONTACT AREA		
0	GOLD 0.2 um MIN. / TIN LEAD SOLDER NICKEL UNDERPLATE OVERALL 1.27 um MIN	EMPTY
1	PALLADIUM-NICKEL 0.76 umMIN. WITH GOLD FLASH (0.1 um MIN.) / TIN LEAD SOLDER NICKEL UNDERPLATE OVERALL 1.27 um MIN	EMPTY
4	GOLD 0.2 um MIN. / MATT PURE TIN ON SOLDER TAIL NICKEL UNDERPLATE OVERALL 1.27 um MIN (LEAD FREE PLATING)	LF (note 7&9.)
5	GOLD 0.38 um / MATT PURE TIN ON SOLDER TAIL NICKEL UNDERPLATE OVERALL 1.27 um MIN (LEAD FREE PLATING)	LF (note 7.)
6	PALLADIUM-NICKEL 0.76 umMIN. WITH GOLD FLASH (0.1 um MIN.) / MATT PURE TIN ON SOLDER TAIL NICKEL UNDERPLATE OVERALL 1.27 um MIN	LF (note 7&9.)

lfr	ecp no	dr	date	tolerance unless otherwise specified	surface	projection	product family	title	dwg no	sheet 1 of 7	size
W	S07-0166	MCH	2007-05-18	angles	<input checked="" type="checkbox"/>	Δ	BENGSSTAK	0.8mm BOARD TO BOARD PLUG ASSY	61083	Sheet 1 of 7	A4
X	S07-0416	MCH	2007-11-22			MM					
Y	S08-0043	MCH	2008-02-20	0±.2		scale 4:1					
AA	S08-0330	MCH	2008-10-08								
T	S04-0167	CH	2004-07-30	engr							
U	S05-0098	CH	2005-03-31	cht							
V	S05-0288	MCH	2005-10-14	dpd							
sheet index	revision	AA	R	R	R	R	R	R	R	R	R
	sheet	1	2	3	4	5	6	7			

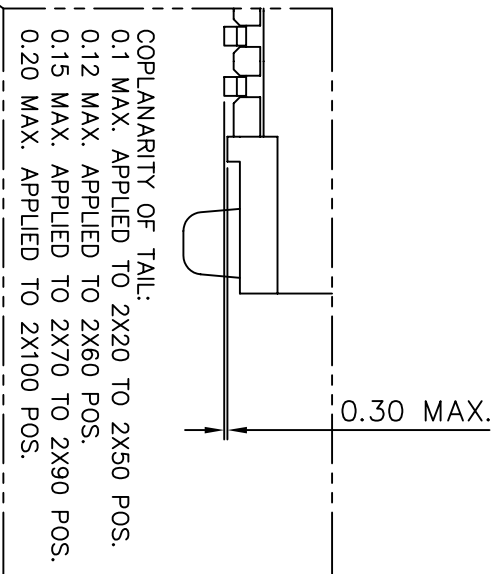
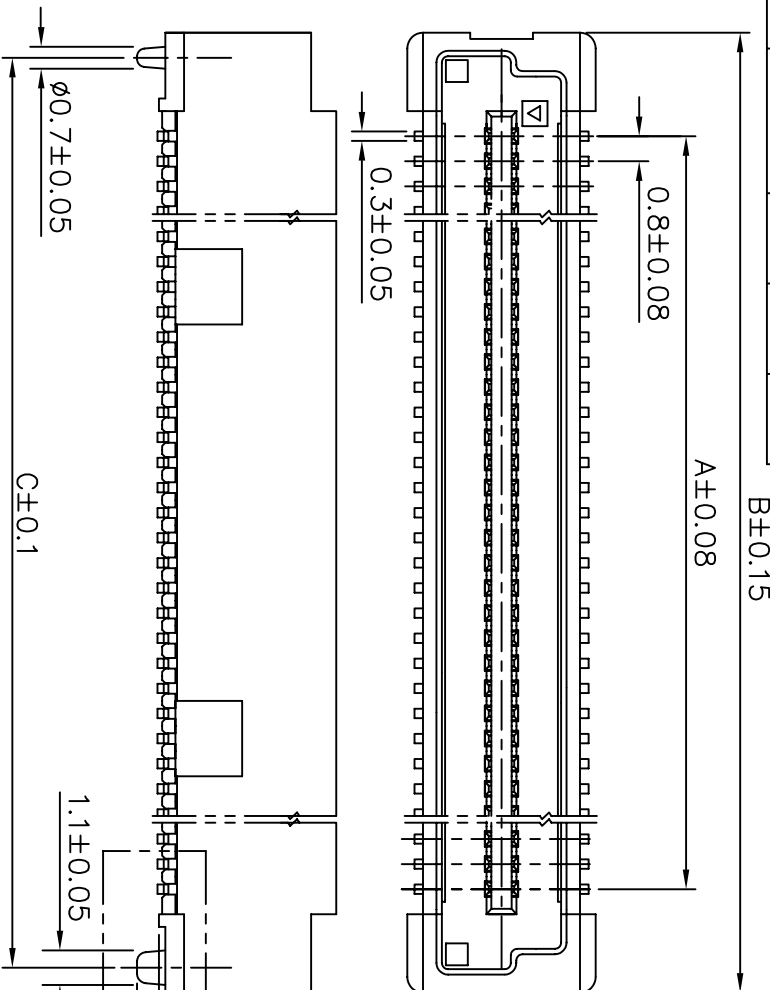
PRODUCT NO.	NUMBER OF POSITIONS	DIMENSION		
		A	B	C
61083-041***	2 X20	15.2	21.8	20.2
61083-061***	2 X30	23.2	29.8	28.2
61083-081***	2 X40	31.2	37.8	36.2
61083-101***	2 X50	39.2	45.8	44.2
61083-121***	2 X60	47.2	53.8	52.2
61083-141***	2 X70	55.2	61.8	60.2
61083-161***	2 X80	63.2	69.8	68.2
61083-181***	2 X90	71.2	77.8	76.2
61083-201***	2 X100	79.2	85.8	84.2



PLUG 1

mat'l. code		surface		tolerance		projection		product family	
lfr	ecr no	dr	date	angles	values	MM	title	dwg no	sheet 2 of 7 size
R	S07-0166	MCH	2007-05-18	0±2°	XXX±0.10	MM	0.8mm BOARD TO BOARD PLUG ASSY	61083	A4
		dr							
		engr							
		chr							
		dppd							
sheet index	revision								

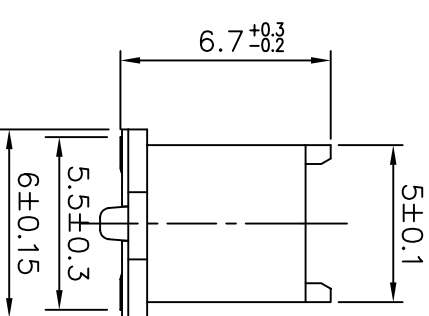
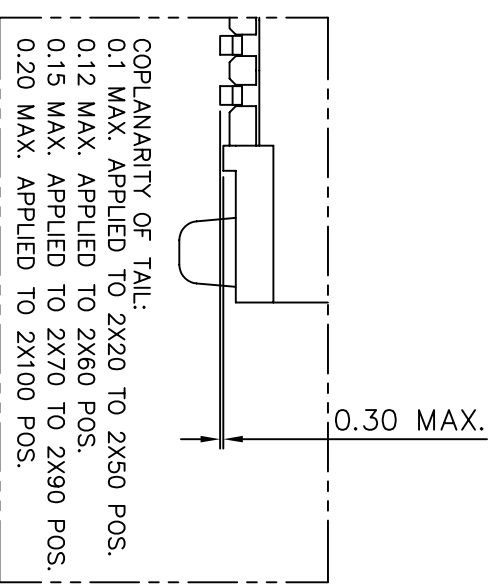
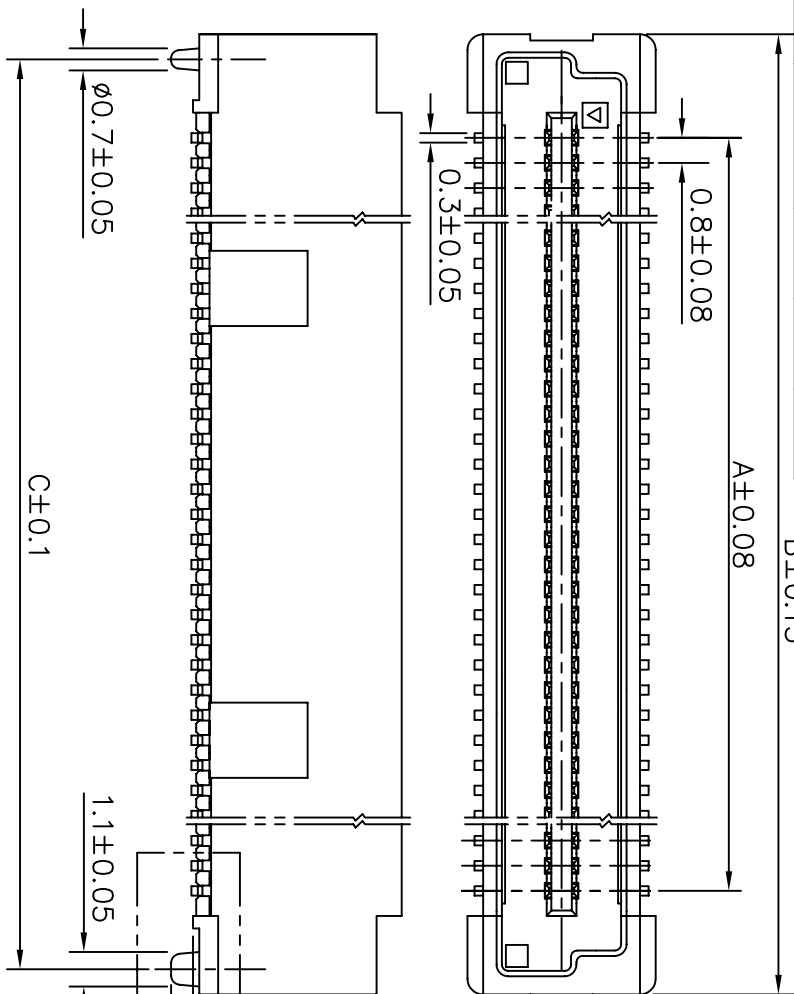
PRODUCT NO.	NUMBER OF POSITIONS	DIMENSION		
		A	B	C
61083-042***	2 X20	15.2	21.8	20.2
61083-062***	2 X30	23.2	29.8	28.2
61083-082***	2 X40	31.2	37.8	36.2
61083-102***	2 X50	39.2	45.8	44.2
61083-122***	2 X60	47.2	53.8	52.2
61083-142***	2 X70	55.2	61.8	60.2
61083-162***	2 X80	63.2	69.8	68.2
61083-182***	2 X90	71.2	77.8	76.2
61083-202***	2 X100	79.2	85.8	84.2



PLUG 2

mat'l. code		surface		tolerance		projection		product family	
lfr	ecn no	dr	date	tolerance unless otherwise specified		MM		BERGSTAK	
P				angles	XXX±0.15	MM		0.8mm BOARD TO BOARD	
R	S07-0166	MCH	2007-05-18	0±2°	XXX±0.10	scale 4:1		PLUG ASSY	
				dr	MAGLE_WU	1999-03-26		sheet 3 of 7	
				enfr	YU_WEN_CHU	1999-03-26		size	
				chr	MACHONG	2007-05-18		A4	
				dppd	JOEY_NG	2007-05-18		CUSTOMER Drawing	
sheet index	revision								

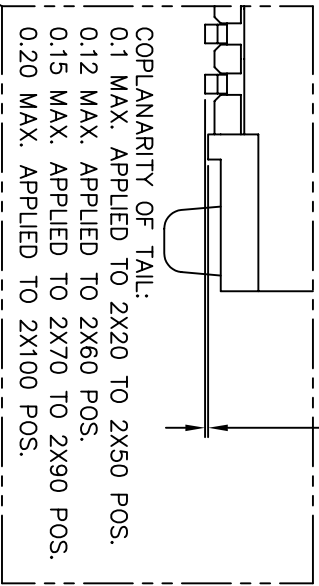
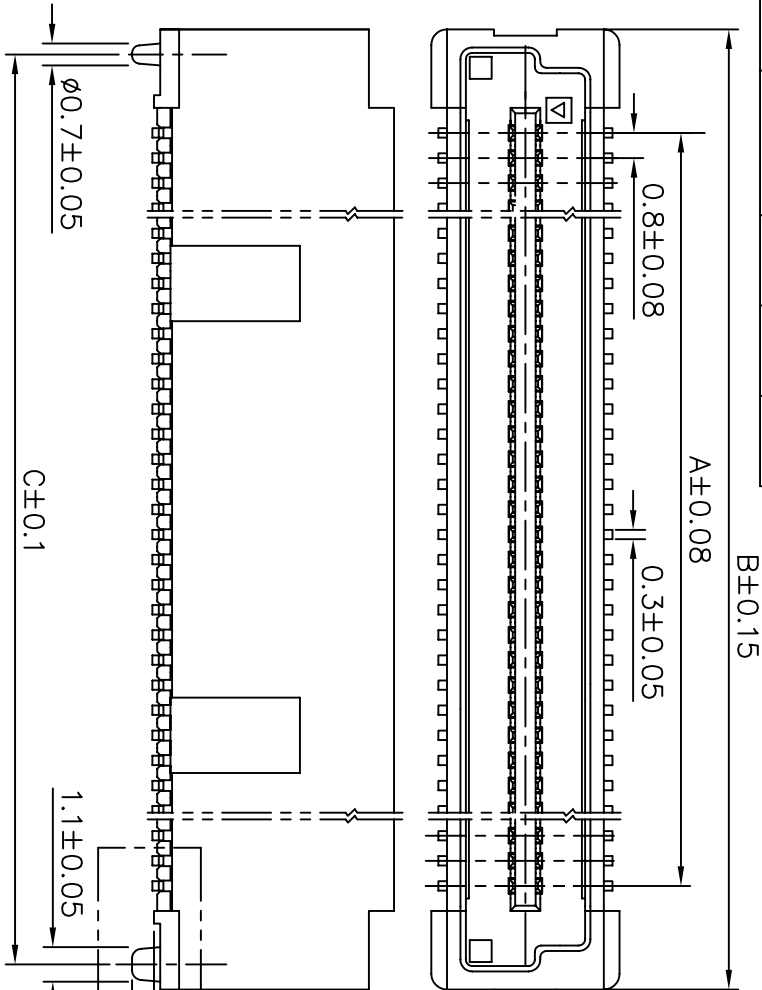
PRODUCT NO.	NUMBER OF POSITIONS	DIMENSION		
		A	B	C
61083-043***	2 X20	15.2	21.8	20.2
61083-063***	2 X30	23.2	29.8	28.2
61083-083***	2 X40	31.2	37.8	36.2
61083-103***	2 X50	39.2	45.8	44.2
61083-123***	2 X60	47.2	53.8	52.2
61083-143***	2 X70	55.2	61.8	60.2
61083-163***	2 X80	63.2	69.8	68.2
61083-183***	2 X90	71.2	77.8	76.2
61083-203***	2 X100	79.2	85.8	84.2



PLUG 3

mat'l. code		surface		tolerance		projection		product family	
lfr	ecn no	dr	date	tolerance unless otherwise specified		projection		BERGSTAK	
P				angles	XXX±0.15	MM		0.8mm BOARD TO BOARD	
R	S07-0166	MCH	2007-05-18	0±2°	XXX±0.10	4:1		PLUG ASSY	
dr		MAGGLE_WU		1999-03-26		scale		sheet 4 of 7	
engr		YU_WEN_CHU		1999-03-26		type		A4	
chr		MACHONG		2007-05-18		CUSTOMER Drawing			
dppd		JOEY_NG		2007-05-18					
sheet index	revision								

PRODUCT NO.	NUMBER OF POSITIONS	DIMENSION		
		A	B	C
61083-044***	2 X20	15.2	21.8	20.2
61083-064***	2 X30	23.2	29.8	28.2
61083-084***	2 X40	31.2	37.8	36.2
61083-104***	2 X50	39.2	45.8	44.2
61083-124***	2 X60	47.2	53.8	52.2
61083-144***	2 X70	55.2	61.8	60.2
61083-164***	2 X80	63.2	69.8	68.2
61083-184***	2 X90	71.2	77.8	76.2
61083-204***	2 X100	79.2	85.8	84.2

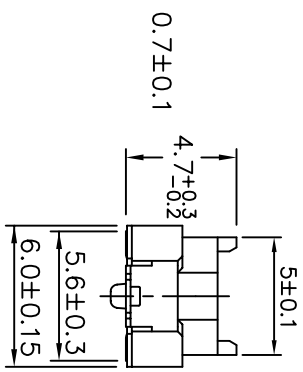
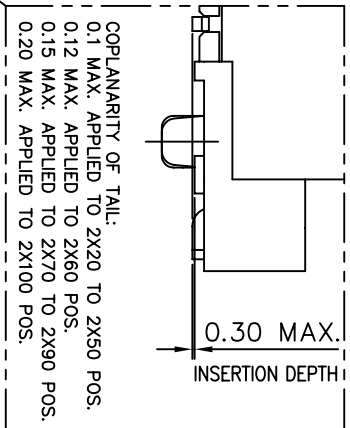
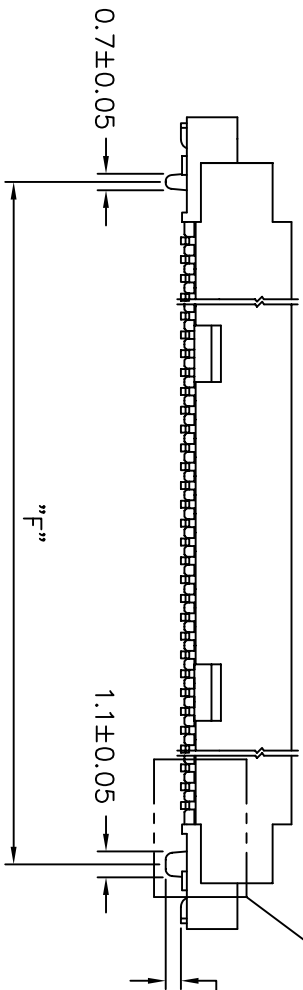
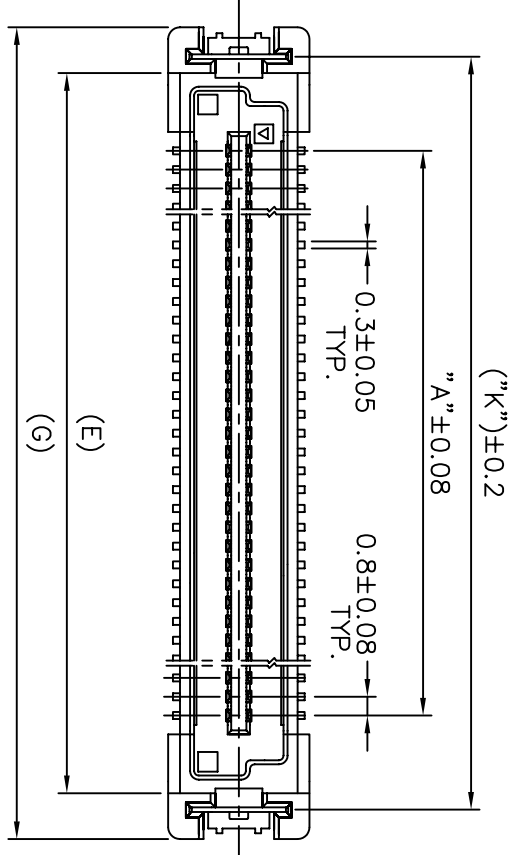


PLUG 4

mat'l. code		surface		tolerance		projection		product family	
lfr	ecn no	dr	date	tolerance unless otherwise specified	angles	MM	MM	title	product family
P									BERGSTAK
R	S07-0166	MCH	2007-05-18					0.8mm BOARD TO BOARD PLUG ASSY	
				0±2°	XXX±0.15	scale 4:1			
		dr	MAGGIE_WU	1999-03-26					
		engr	YU_WEN_CHU	1999-03-26					
		chr	MACHONG	2007-05-18					
		dppd	JOEY_NG	2007-05-18					
sheet index	revision								

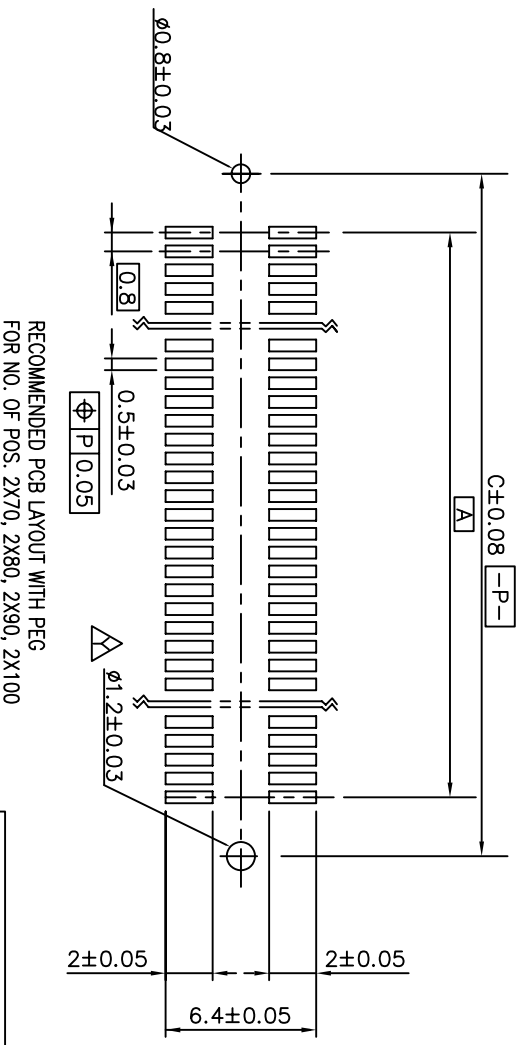
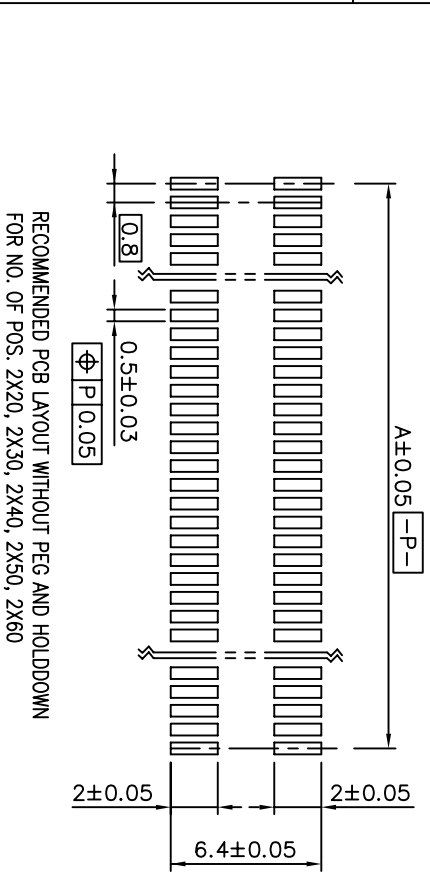
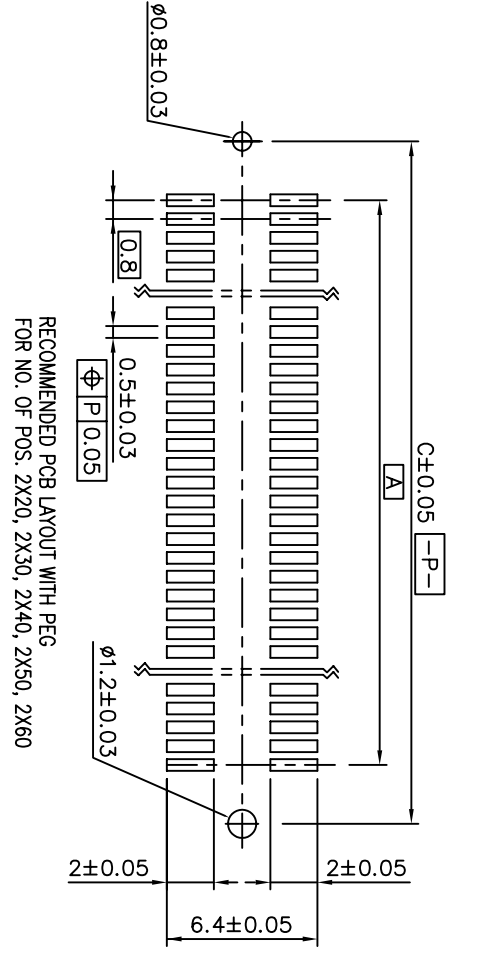
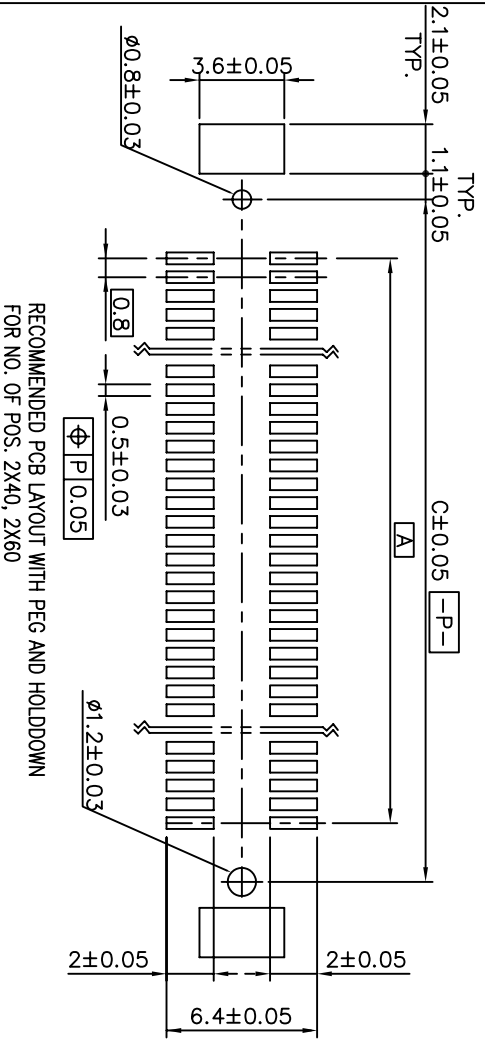


PRODUCT NUMBER	POSITIONS	DIMENSION			
		"A"	"E"	"F"	"G"
61083-081***	2 X40	31.2	37.8	36.2	41.7
					39.23



PLUG 1
 FOR HOLD DOWN

mat'l. code		surface		tolerance		projection		product family	
ltr	ecr no	dr	date	tolerance unless otherwise specified	angles	MM	MM	title	sheet no
R						X±0.20		0.8mm BOARD TO BOARD	6 of 7
S	S07-0166	MCH	2007-05-18			XXX±0.15		PLUG ASSY	size A4
					0±z	XXX±0.10	scale 3:1		
		dr	MAGGLE_WU	1999-03-26					
		engr	YU_WEN_CHU	1999-03-26					
		chr	MACHONG	2007-05-18					
		dppd	JOEY_NG	2007-05-18					
sheet index	revision								



FOR PLUG 1/2/3/4

mat'l. code		surface		tolerance		projection		product family	
lfr	ecn no	dr	date	tolerance unless otherwise specified		projection		product family	
N	S07-0166	MCH	2007-05-18	angles	X±0.20	MM		BERGSTAK	
P	S08-0043	MCH	2008-02-20	0±2°	XXX±0.15			0.8mm BOARD TO BOARD PLUG ASSY	
R	S08-0043	MCH	2008-02-20	XXX±0.10	scale 3:1			sheet 7 of 7 size	
sheet		revision		engr		YU_WEN_CHU		1999-03-26	
index		sheet		chr		MACHONG		2008-02-20	
				dppd		JOEY_NG		2008-02-20	
								61083	
								CUSTOMER Drawing	
								A4	

Mouser Electronics

Authorized Distributor

Click to View Pricing, Inventory, Delivery & Lifecycle Information:

[FCI / Amphenol:](#)

[61083-081442LF](#)