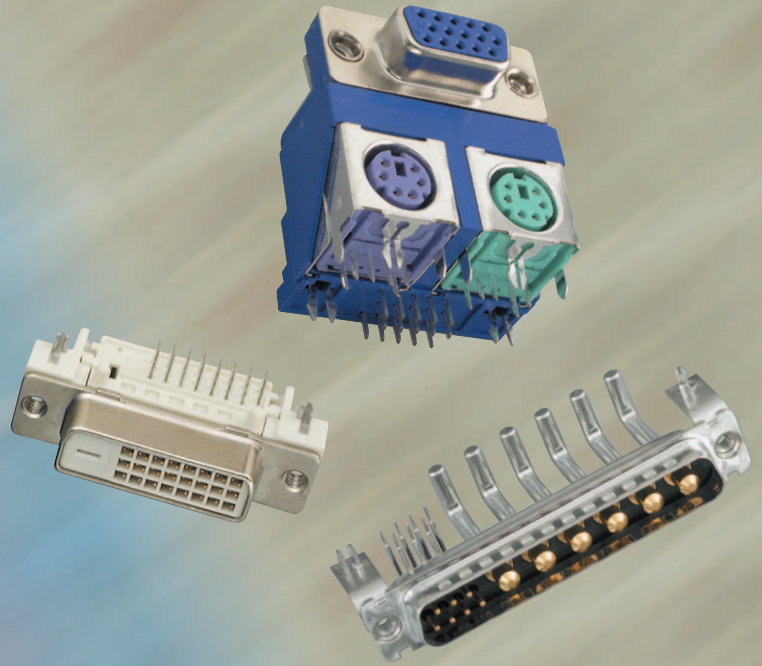


D-SUBMINIATURE CONNECTORS



Amphenol®

ACCESSORIES

STANDARD DENSITY

SURFACE MOUNT RECEPTACLES

HIGH DENSITY

Table of Contents

DESCRIPTION	SERIES	PAGES
General Specifications		1
 HIGH DENSITY D-SUBS		
Right Angle Board Mount Connectors	17BH.....	2
Solder Cup and Straight Board Mount Connectors	17HD	2
Digital Video Interface (DVI) NEW	G12	52
 SURFACE MOUNT RECEPTACLES		
Right Angle Connector, Front Metal Shell, Socket only	17SM2	5
 STANDARD DENSITY D-SUBS - BOARD MOUNT		
Fixed Precision-Formed Contact Connectors	617	8
.....	17SD.....	16
Dual Port Stacked Right Angle Connectors, Front Metal Shell.....	617H.....	10
High-Temperature Right Angle Connectors, Front Metal Shell.....	17HTN	12
High-Temperature Vertical Connectors, Front Metal Shell	617S.....	14
Fixed Machined Contact Industrial Connectors	17D / DF	20
Combination (Hybrid) Connectors	17TW	37
Filtered D-Sub Connector, Stacked	FCC17	55
Filtered D-Sub Connector, Press Fit NEW	FCC17	55
Filtered D-Sub Connector and Filtered Combo	FCC17	56
Sealed D-Sub Connector NEW	SD308	53
Filtered D-Sub Connector, Ruggedized NEW	FD308	54
 STANDARD DENSITY D-SUBS - CABLE MOUNT		
Fixed Precision-Formed Contact Connectors.....	17SD.....	16
Fixed Machined Contact Industrial Connectors	17D / DF	20
Fixed Machined Contact Industrial Connectors, Screw Termination NEW	17D-ST	26
Rear Release Crimp Connectors.....	17RR.....	29
Tooling for Crimp Contacts	RR-HR	36
Combination (Hybrid) Connectors	17TW	37
Removable Contacts (Size 8 Coax and Power) for Hybrid Connectors	17DM	45
Tooling for Size 8 Coax Contacts		47
Filtered D-Sub Connector and Filtered Combo	FCC17	56
Filtered D-Sub Connector, IDC NEW	FCC17	55
 ACCESSORIES		
Backshells		57
 GENERAL INFORMATION		
Panel Cutouts and Mounting.....		IBC

GENERAL DESCRIPTION:

Amphenol's line of D-Subminiature rack and panel connectors is part of an industry standard for applications requiring reliable, rugged, connectors. These connectors are designed to accommodate rack and panel, cable to panel and cable to cable applications. D-Subminiature connectors are pin and socket devices that employ contacts encased in a molded dielectric insert surrounded by a "D" shaped shell for polarization.

MARKETS:

Amphenol D-Subminiature connectors can be used in commercial, industrial or military markets. We offer a broad selection of dielectric materials and contact styles and configurations to meet all of your design requirements.

APPLICATIONS INCLUDE:

- Business equipment
- Electronic office systems
- Data communications
- Medical equipment
- Mobile communications
- Consumer electronics

AMPHENOL D-SUB FEATURES:

- Industry standard interfacing RS232 and RS449 mating configurations per EIA standards.
- UL Component Recognition File number E64911 (617, 841, 17, 17D, 17HD, ED, 17RR, 17SD, 117DF, 17BH, 17TW)
- Variations available:
 - Solder cup
 - Straight pc mount solder
 - Right angle pc mount solder
 - Solderless wire wrap
 - Crimp
 - High Density Right Angle
 - High Density Straight
 - Stacked Right Angle PC mount
 - Surface mount
- Five shell sizes offer widest choice of contact positions: 9, 15, 25, 37 and 50 in standard density and 15, 26, 44, 62 and 78 positions in high-density.
- Inserts are flame-retardant thermoplastic.
- Accessories for all applications are available including strain reliefs, cable clamps, shielded backshells, mating hardware and connector to pc board mounting hardware.
- Automatic and manual tooling is available for both crimp and IDC versions.
- Contact Amphenol for lease information.

High Density

17 BH/HD SERIES

SPECIFICATIONS:

MATERIALS AND PLATINGS

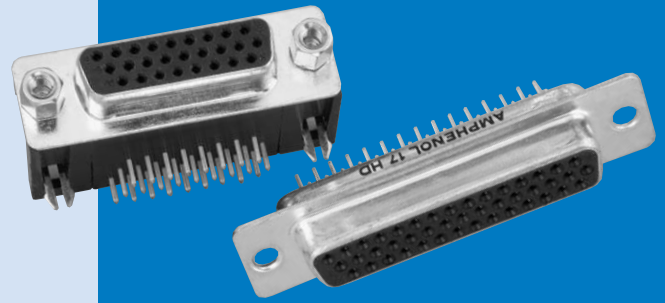
Shells	Steel, tin plated, grounding indents on plug.
Contact Material	Copper alloy
Contact Plating	Engagement area: gold (see ordering information).
Termination End	150µ" (3.81µm) tin/lead
Nickel Underplate	50µ" (1.27µm) entire contact

ELECTRICAL DATA

Current Rating	3 Amps maximum per contact
Voltage Rating	125 VAC
Dielectric Withstanding Voltage	1000 VAC (minimum)
Dielectric	Glass filled thermoplastic, black, UL 94 VO
Insulation Resistance	5,000 Megaohms (minimum)
Contact Resistance	15 Milliohms (maximum)

CLIMATIC DATA

Operating Temperature	-67°F (-55°C) to 221°F (105°C)
-----------------------	--------------------------------



Amphenol's High Density D-Subminiature connectors complement Amphenol's extensive D-Subminiature connector line. This line of connectors offers many superior features, high performance level and low installation cost.

The connector configurations are available in 15, 26, 44, 62 and 78 positions.

The product offering includes PCB mount connectors in both straight or right angle termination styles. Straight PCB mount are available in both Fixed Screw Machine and Stamped and Formed contacts, while Right Angle PCB mount are only available with Stamped and Formed contacts.

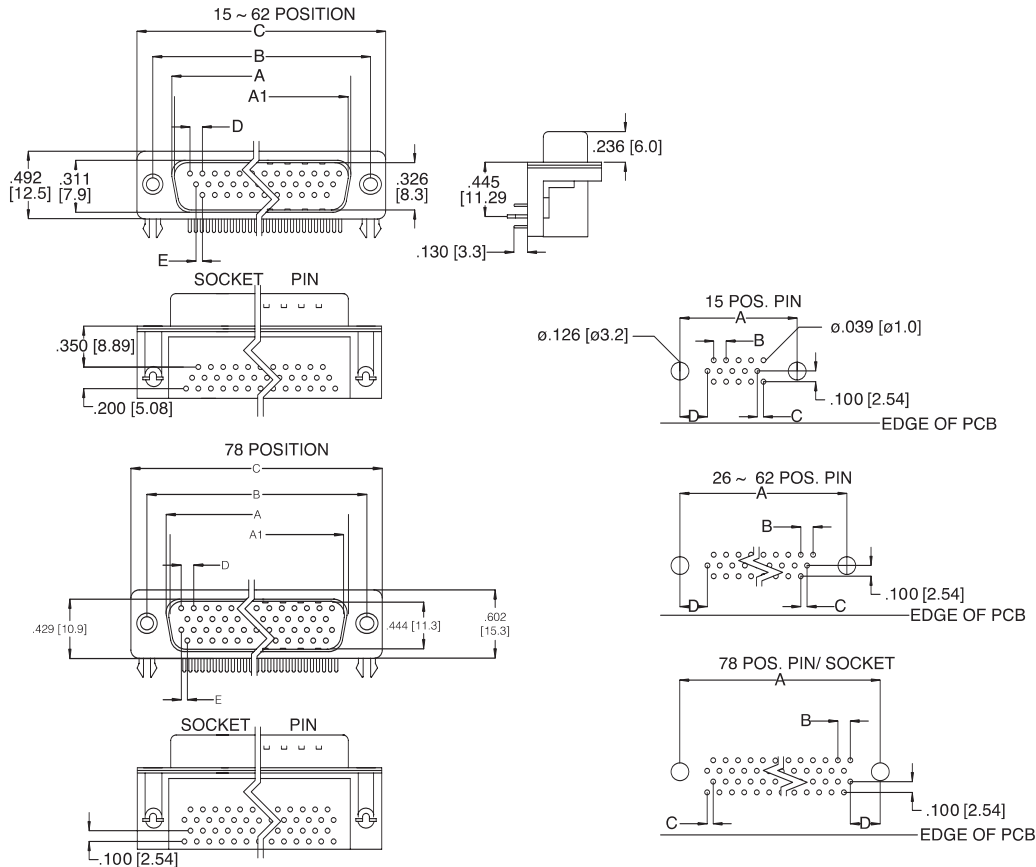
A cable mount version with solder terminations is also available, which can be combined with Amphenol's standard line of shielded or unshielded backshells.

- Industrial
- Telecom
- Any industry standard I / O connections

INCHES (MM)



DIMENSIONS FOR 15 - 62 POSITION (3 ROW)(SHOWN WITH FIXED FEMALE SCREWLOCKS) DIMENSIONS FOR THE 78 POSITION (4 ROW)



CONTACTS	A SOCKET	A1 PIN	B	C	D	E
15	.642 [16.30]	.666 [16.92]	.984 [25.0]	1.213 [30.8]	.090 [2.29]	.045 [1.145]
26	.969 [24.6]	.994 [25.25]	1.311 [33.3]	1.543 [39.2]	.090 [2.29]	.045 [1.145]
44	1.508 [38.3]	1.534 [38.96]	1.854 [47.1]	2.091 [53.1]	.090 [2.29]	.045 [1.145]
62	2.157 [54.8]	2.182 [55.42]	2.50 [63.5]	2.732 [69.4]	.095 [2.41]	.047 [1.205]
78	2.05 [52.20]	2.079 [52.81]	2.40 [61.0]	2.638 [67.0]	.095 [2.41]	.047 [1.205]

CONTACTS	A	B	C	D
15	.984 [25.0]	.090 [2.29]	.045 [1.145]	.277 [7.04]
26	1.311 [33.3]	.090 [2.29]	.045 [1.145]	.271 [6.88]
44	1.854 [47.1]	.090 [2.29]	.045 [1.145]	.271 [6.88]
62	2.50 [63.5]	.095 [2.41]	.047 [1.205]	.275 [7.00]
78	2.402 [61.0]	.095 [2.41]	.047 [1.205]	.300 [7.63]

ORDERING INFORMATION

17BH Series High Density D-Sub

Front Metal Shell, Right-Angle PC Mount

17BH - 0XX - X - XX - X - XX

Series _____

Number Of Positions _____
15, 26, 44, 62, 78

Type _____

P Pin (male)
S Socket (female)

PCB Mount Options

00 Clear hole
10 Arrowhead Board

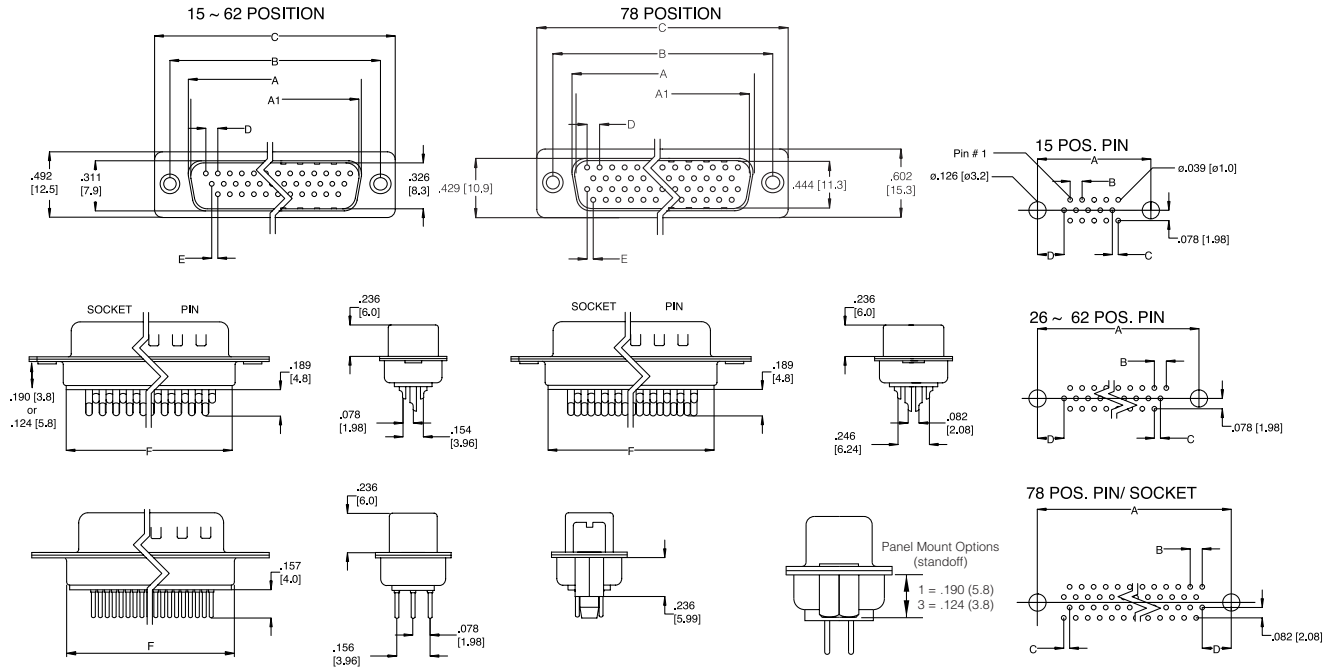
Panel Mounting Options

0 .120 (3.05) Clear Hole
1 #4-40 Threaded Hole
2 #4-40 Fixed Female Screw

Plating Code

AA Gold Flash over Nickel
AM 30µ* (.76µm) Gold over Nickel

DIMENSIONS



CONTACTS	A SOCKET	A1 PIN	B	C	D	E	F
15	.642 [16.30]	.666 [16.92]	.984 [25.0]	1.213 [30.8]	.090 [2.29]	.045 [1.145]	.756 [19.2]
26	.969 [24.6]	.994 [25.25]	1.311 [33.3]	1.543 [39.2]	.090 [2.29]	.045 [1.145]	1.071 [27.2]
44	1.508 [38.3]	1.534 [38.96]	1.854 [47.1]	2.091 [53.1]	.090 [2.29]	.045 [1.145]	1.618 [41.1]
62	2.157 [54.8]	2.182 [55.42]	2.50 [63.5]	2.732 [69.4]	.095 [2.41]	.047 [1.205]	2.256 [57.3]
78	2.05 [52.20]	2.079 [52.81]	2.40 [61.0]	2.638 [67.0]	.095 [2.41]	.047 [1.205]	2.169 [55.1]

CONTACTS	A	B	C	D
15	.984 [25.0]	.090 [2.29]	.045 [1.145]	.277 [7.04]
26	1.311 [33.3]	.090 [2.29]	.045 [1.145]	.277 [7.04]
44	1.854 [47.1]	.090 [2.29]	.045 [1.145]	.277 [7.04]
62	2.50 [63.5]	.095 [2.41]	.047 [0.120]	0.699
78	2.402 [61.0]	.095 [2.41]	.047 [0.120]	0.699

ORDERING INFORMATION

17 HD Series High Density D-Sub

Solder Cup & Straight P.C. Mount, Front Metal Shell Fixed Contact

17HD - 0XX - X - XX - X - XX

Series _____

Number Of Positions _____
15, 26, 44, 62, 78

Type _____
P Pin (male)
S Socket (female)

Termination Types:

- 00 Solder Cup
- 30 Board-mount, Vertical
- 32 Board-mount, Vertical with Boardlocks
- 33 Board-mount, Vertical with standoff, no boardlock

Panel Mounting Options:

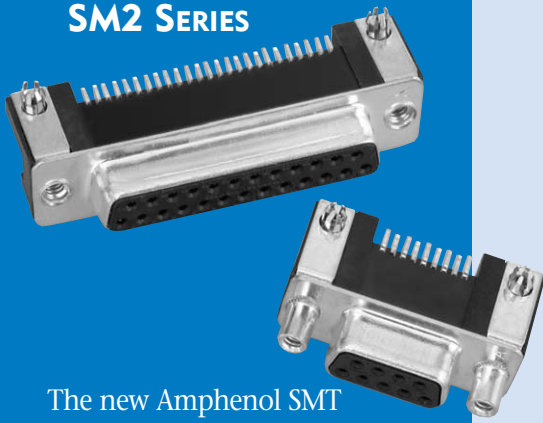
- 0 .120 (3.05) Clear Hole
- 1 #4-40 Threaded Hole .190 (5.8)
- 2 #4-40 Fixed Female Screwlock
- 3 #4-40 Threaded Hole .124 (3.8)

Plating Code:

- AA Gold Flash over Nickel
- AM 30µ" (.76µm) Gold over Nickel

INCHES (MM)

SM2 SERIES

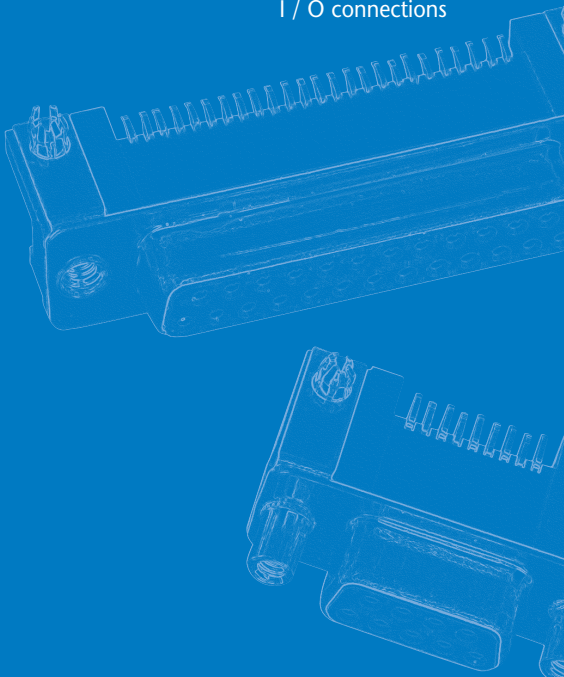


The new Amphenol SMT D-Sub is offered in right angle, receptacle with brackets, as an industry standard for I / O connections.

New boardlock features:
 -LIF (Low Insertion Force) boardlock especially designed to be fully compatible with pick and place equipment.
 -ZeFo (Zero Insertion Force) boardlock has been designed so that once placed and expanded, secures the connector in place.

Applications

- Industrial
- Telecom
- Any industry standard I / O connections



Stamped And Formed Contacts Surface Mount Connectors

SPECIFICATIONS:

MATERIALS AND PLATINGS

Shells	Steel with tin plating
Insulator	High temperature (peak at 500°F [260°C]) glass-filled thermoplastic, UL 94V-0
Socket Contact	Stamped and formed brass, selected gold in mating area; 100μ" (2.54μm) min. tin-lead on termination area, with entire contact under-plated 50μ" (1.27μm) min. nickel
Rear Insert	Brass, 118μ" up to 197μ" (3μm up to 5μm) tinned over nickel 78μ" to 118μ" (2μm up to 3μm)
Boardlock	Tin-lead plating 157μ" up to 236μ" (4μm up to 6μm) over nickel 78μ" up to 118μ" (2μm up to 3μm) Insertion force: Low Insertion Force = LIF (bronze) Zero Insertion Force = ZeFo (brass)
Screwlock	Brass, 236μ" up to 394μ" (6μm up to 10μm) tinned over nickel 78μ" up to 118μ" (2μm up to 3μm)
Grounding	Grounding strap: brass, (4μ" up to 6μ") (0.10μm up to 0.15μm) tin-lead plating over nickel 78μ" up to 118μ" (2μm up to 3μm)

ELECTRICAL DATA

Current Rating	3A
Voltage Rating	300V AC/ rms 50Hz
Withstanding Voltage	1000V AC/ rms 50Hz for one minute
Insulation Resistance	5000MΩ
Contact Resistance	10 mΩ max.

CLIMATIC DATA

Operating Temperature	185°F (85°C), peak at 221°F (105°C)
Damp Heat	56 days 221°F (105°C) - 95% RH

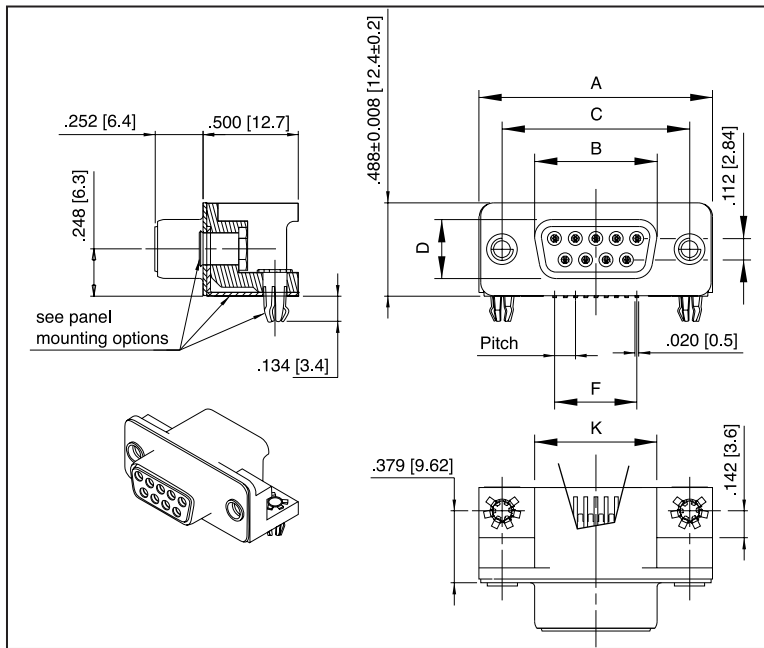
MECHANICAL DATA

Single Contact Insertion Force	1.2N < F < 2.5N
Single Contact Withdrawal Force	0.4N min.
LIF Boardlock	8N max. per connector
Coplanarity of Contacts	.008" (0.2) max.

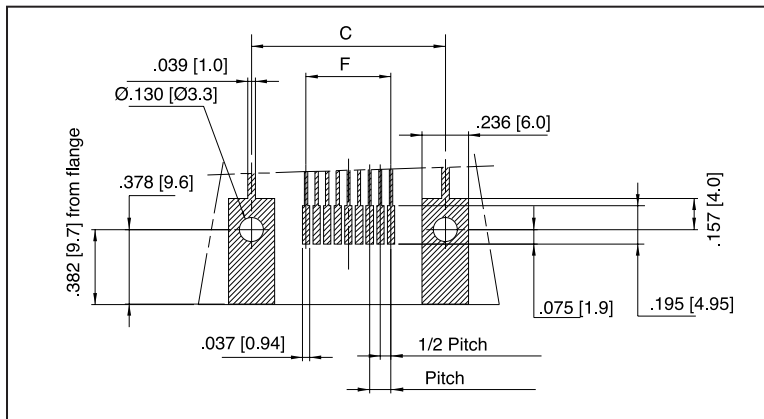
Mating and Unmating Force
Unit: N

No. of Contacts	Mate (max.)	Unmate (min.)
9 (size E)	30	3.5
15 (size A)	50	4.5
25 (size B)	83	8.0

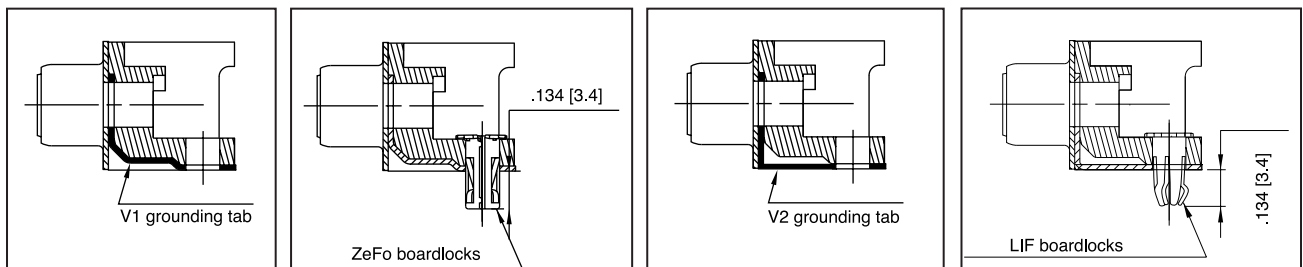
SHELL DIMENSIONS



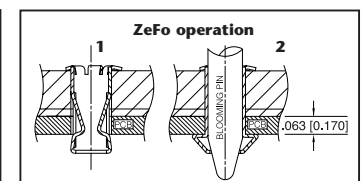
PCB LAYOUT



GROUNDING TABS



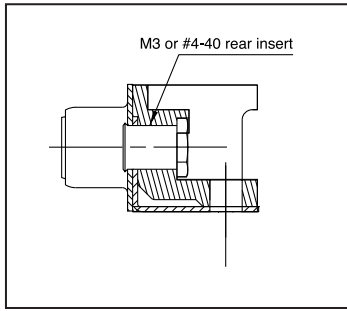
SHELL SIZE	A	B	C	D	PITCH	F	K
	+ .002 (0.05) - .004 (0.1)	0 - .008 (0.2)	± .004 (0.1)	0 - .01 (0.25)			
E	1.226 (31.15)	.645 (16.4)	.984 (25)	.316 (8.03)	.1078 (2.74)	.432 (10.97)	.642 (16.3)
A	1.551 (39.4)	.976 (24.8)	1.311 (33.3)	.316 (8.03)	.1078 (2.74)	.756 (19.2)	.968 (24.6)
B	2.098 (53.3)	1.515 (38.5)	1.850 (47)	.316 (8.03)	.1086 (2.76)	1.304 (33.12)	1.508 (38.3)



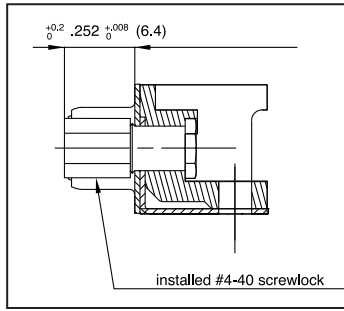
Blooming Pin Tool
P.N. 356-500

INCHES (MM)

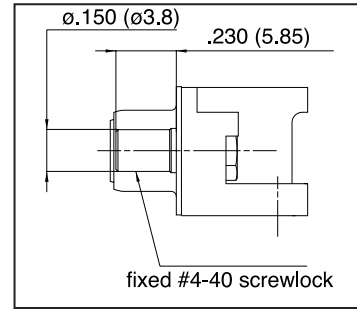
FLANGE ACCESSORIES



Threaded Rear
1/2



Installed Front Female
5



Fixed Front Female
6

ORDERING INFORMATION

17SM2 - XX - S - X - X - X - X

Configuration :

- 09
- 15
- 25

SOCKET ONLY

Board locks / grounding tab:

- 1 V1 grounding tab +ZeFo boardlocks (PCB = .062 [1.6])
- 4 ZeFo boardlocks only (PCB = .062 [1.6])
- 7 V1 grounding tab only
- 8 no grounding tab and no boardlocks
- B V2 grounding tab + LIF boardlocks (PCB = .062 [1.6])

Packaging:

- R reel (9 Pos only, 100/reel)
- T tube

Contact plating:

- 1 7.9µ" (0.2µm Au)
- 2 15.7µ" (0.4µm Au)
- 3 19.7µ" (0.5µm Au)
- 4 31.5µ" (0.8µm Au)
- 6 50µ" (1.27µm Au)

Mounting options:

- 1 rear insert 4-40
- 2 rear insert M3
- 5 installed front screwlock 4-40
- 6 fixed front screwlock 4-40

■ : Standard options

**Right-Angle Board Mount Connectors
Front Metal Shell**

617 SERIES

SPECIFICATIONS:

MATERIALS AND PLATINGS

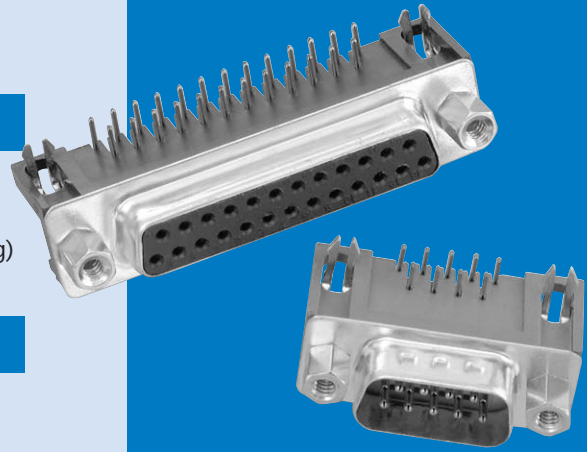
Shells	Steel, tin plated
Contacts	Precision formed copper alloy
Contact Plating	Gold over nickel
Contact Forces	Engagement: 12 oz. max. (340.2 g) Separation: .75 oz. min. (21.26 g)

ELECTRICAL DATA

Current Rating	5 amps
Dielectric Withstanding Voltage	1000 VAC/60 sec.
Dielectric	Glass filled thermoplastic, black, UL 94 VO
Contact Resistance	15 milliohms max.

CLIMATIC DATA

Temperature Range	-67°F (-55°C) to 221°F (105°C)
-------------------	--------------------------------

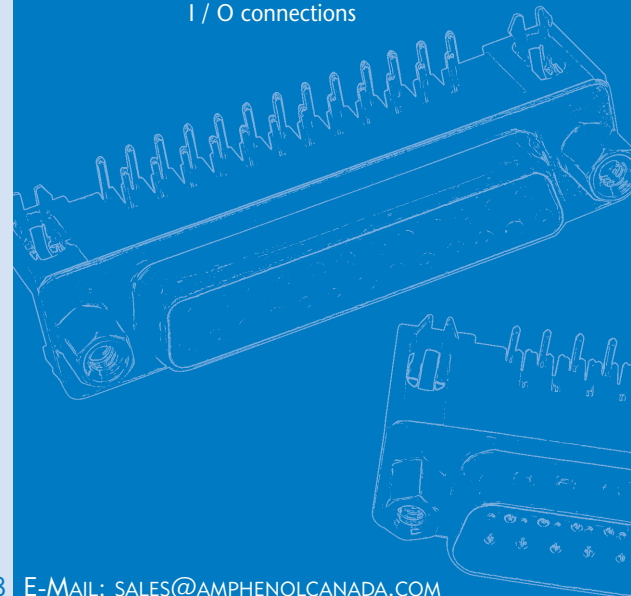


Amphenol's 617 series of right angle commercial connectors provide high performance at competitive prices.

The front metal shell helps to provide reduced EMI/ RFI emissions, and the contacts are selectively plated to provide additional high performance. The 617 series are available in a variety of board mounting and grounding options including arrowhead boardlocks and #4-40 threaded inserts.

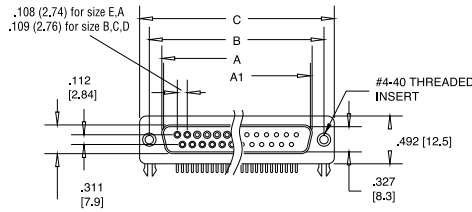
Front mounting holes are also available threaded, un-threaded and with installed female hex screwlocks.

- Industrial
- Telecom
- Any industry standard I / O connections

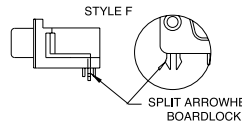
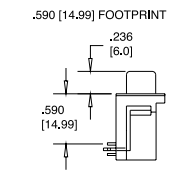
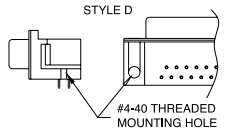
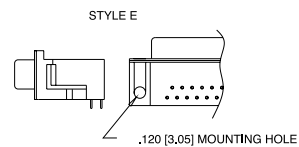
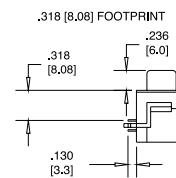
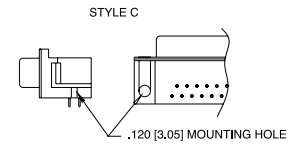
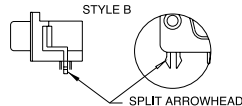
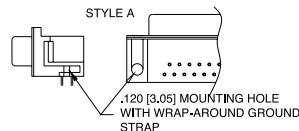
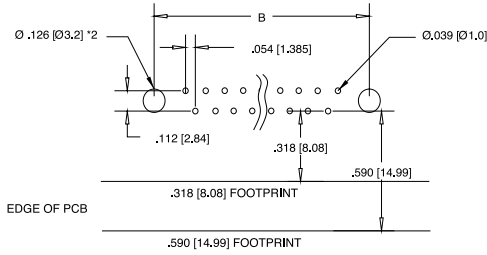
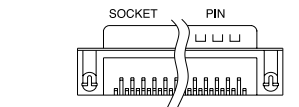


INCHES (MM)

DIMENSIONS



CONTACTS	A SOCKET	A1 PIN	B	C
9	.642 [16.30]	.666 [16.92]	.984 [25.0]	1.213 [30.8]
15	.969 [24.6]	.994 [25.25]	1.311 [33.3]	1.543 [39.2]
25	1.508 [38.3]	1.534 [38.96]	1.854 [47.1]	2.091 [53.1]
37	2.157 [54.8]	2.182 [55.42]	2.50 [63.5]	2.732 [69.4]



ORDERING INFORMATION

617 - X - 0XX - X - XX - X - XX - X

Series

Number of Contacts
09, 15, 25, 37

Variation Code

E for U & Y Footprint

Contact

- 20 Tin plated receptacle
- 21 Tin plated plug with grounding indents

Housing Characteristics

Code

- 0 .120 (3.05) clear hole
- 1 #4-40 threaded hole
- 2 #4-40 threaded hole with female screwlock
- 4 Fixed female round screwlock

Panel Mounting Options

Code

BF

Contact Plating

Engagement area 3μ" (.076μm) gold flash, terminal end area 100μ"/200μ" (2.54μm/5.08μm) tin/lead underplate of 50μ" (1.27μm) nickel
 Engagement area 15μ" (.381μm) gold flash, terminal end area 100μ"/200μ" (2.54μm/5.08μm) tin/lead underplate of 50μ" (1.27μm) nickel
 Engagement area 30μ" (.76μm) gold, terminal end area 100μ"/200μ" (2.54μm/5.08μm) tin/lead underplate of 50μ" (1.27μm) nickel

.318 (8.08) Footprint	.590 (14.99) Footprint	Description of PC Board Mounting Characteristics	Style
A		.120 (3.05) diameter mtg hole with wrap-around ground strap	A
C		split arrowhead boardlock	B
D	U	.120 (3.05) diameter mtg hole	C&E
J		#4-40 threaded mtg hole	D
	Y	split arrowhead boardlock	F

Code

- P Pin (male)
- S Socket (female)

Contact Type

- Pin (male)
- Socket (female)

For filtered version, see page 56.

Dual Port Connectors

617 H SERIES

SPECIFICATIONS:

MATERIALS AND PLATINGS

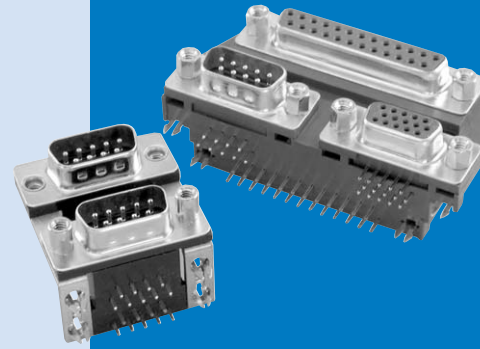
Shells	Steel, tin plated
Contacts	Precision formed copper alloy
Contact Plating	Gold over nickel
Contact Forces	Engagement: 12 oz. max. (340.2 g) Separation: .75 oz. min. (21.26 g)

ELECTRICAL DATA

Current Rating	5 amps
Dielectric Withstanding Voltage	1000 VAC/60 sec.
Dielectric	Glass filled thermoplastic, black, UL 94 VO
Contact Resistance	15 milliohms max.

CLIMATIC DATA

Temperature Range	-67°F (-55°C) to 221°F (105°C)
-------------------	--------------------------------

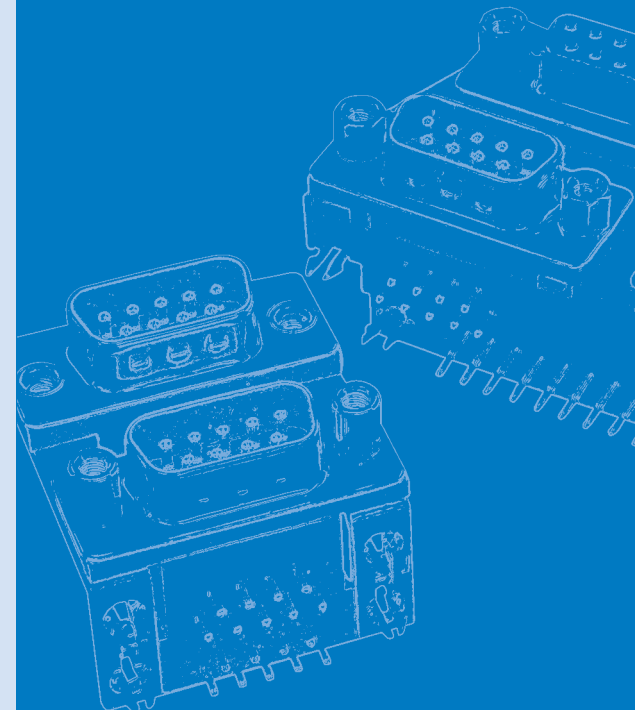


Amphenol's 617 series dual port connectors are a state of the art design. The front metal shell helps reduce EMI/RFI emissions.

Contacts are selectively plated for high performance at a low cost.

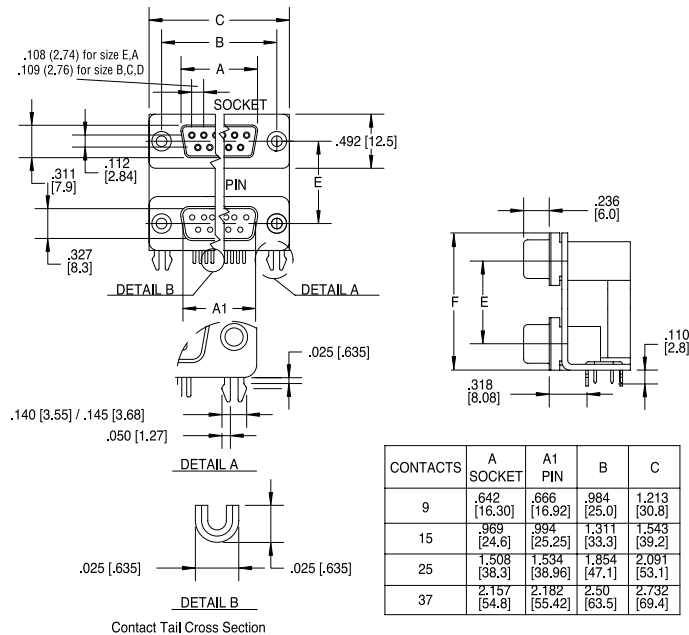
Designed to save PC board space, Amphenol's dual port "D" provides two input output connectors in a minimal amount of board space.

These connectors are available with various stacking options: same gender, mixed gender and multiple pin counts.

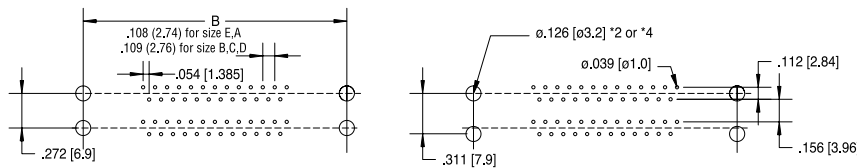


INCHES (MM)

DIMENSIONS



Code Letter	Product Description		Dimensions	
	Top Connector	Bottom Connector	E	F
A	Pin	Pin	0.900 ± 0.010 (22.86 ± 0.25)	1.415 (35.94)
B	Socket	Socket		
C	Pin	Socket		
D	Socket	Pin		
E	Pin	Pin	0.750 ± 0.010 (19.05 ± 0.25)	1.265 (32.13)
F	Socket	Socket		
G	Pin	Socket		
H	Socket	Pin	0.625 ± 0.010 (15.88 ± 0.25)	1.140 (28.96)
J	Pin	Pin		
K	Socket	Socket		
L	Pin	Socket		
M	Socket	Pin		



PCB EDGE

ORDERING INFORMATION

617H - X - XX - X - XX - X - XX - X

Series
617H Dual port;
right angle solder tail

Code Boardlock
C Boardlock option
O No PC boardlock

Code Number of Contacts

18	2 x 9	15	15 over blank
30	2 x 15	34	9 / 25
50	2 x 25	43	25 / 9+9
74	2 x 37	H15A	VGA / Triple Audio
40	15 / 25		

Consult factory for other available configurations

Variation Code
L for .311 (7.89) Footprint

Code Housing Characteristics

- 00 Steel shell, tin plated receptacles without grounding dimples (options B, F, K)
- 01 Steel shells, tin plated plugs with grounding dimples (options A, E, J)
- 03 Steel shells, tin plated, plug shell with grounding dimples and receptacle shell without dimples (options C,G,L,D,H,M)

Code Panel Mounting Options

- 0 120° clear hole
- 1 #4-40 threaded hole
- 2 #4-40 threaded hole with female screwlock

Code Contact Plating

- BF Engagement area 3µ (.076µm) gold flash, terminal end area 100µ/200µ tin/lead, (2.54µm/5.08µm) tin/lead underplate of 50µ (1.27µm) nickel
- CF Engagement area 15µ (.381µm) gold flash, terminal end area 100µ/200µ (2.54µm/5.08µm) tin/lead underplate of 50µ (1.27µm) nickel
- AJ Engagement area 30µ (.76µm) gold, terminal end area 100µ/200µ (2.54µm/5.08µm) tin/lead underplate of 50µ (1.27µm) nickel

58.064 (22.86) Spacing	48.388 (19.05) Spacing	40.31 (15.87) Spacing	Product Description	
			Top Connector	Bottom Connector
A	E	J	Pin	Pin
B	F	K	Socket	Socket
C	G	L	Pin	Socket
D	H	M	Socket	Pin

For filtered version, see page 55.

**High Temperature Right Angle,
Board Mount Connectors Front Metal Shell**

SPECIFICATIONS:

MATERIALS AND PLATINGS

Shells	Steel/nickel plated
Contacts	Precision formed copper alloy
Contact Plating	Gold over nickel
Process Compatibility	IR - air convection: 500° F (260°) for 20 seconds

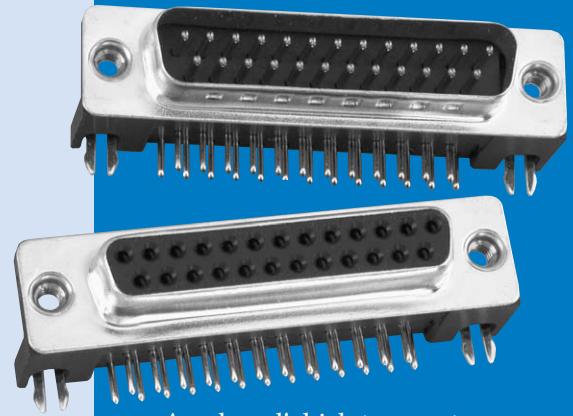
ELECTRICAL DATA

Current Rating	5 amps
Voltage Rating	600 V
Dielectric	Glass filled thermoplastic, black, UL 94 VO
Contact Resistance	10 milliohms (max.)

CLIMATIC DATA

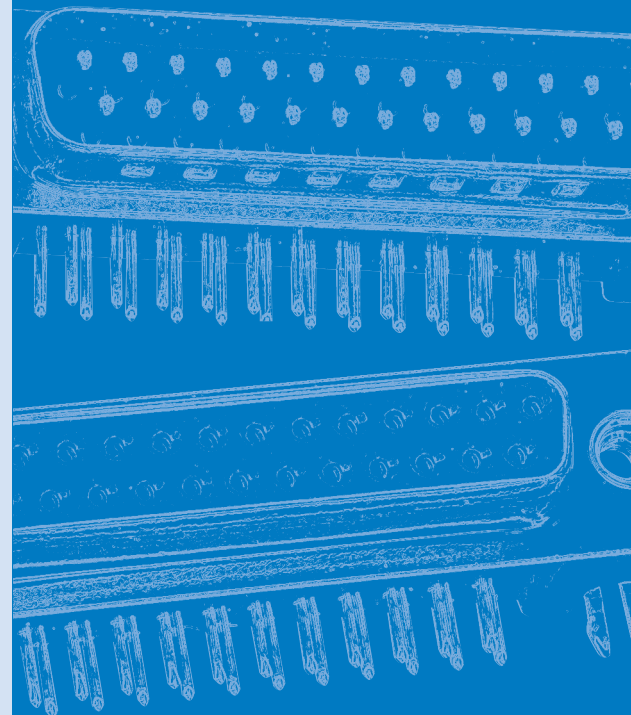
Temperature Range	Environmental: -67°F (-55°C) to 257°F (125°C)
-------------------	--

17 HTN SERIES



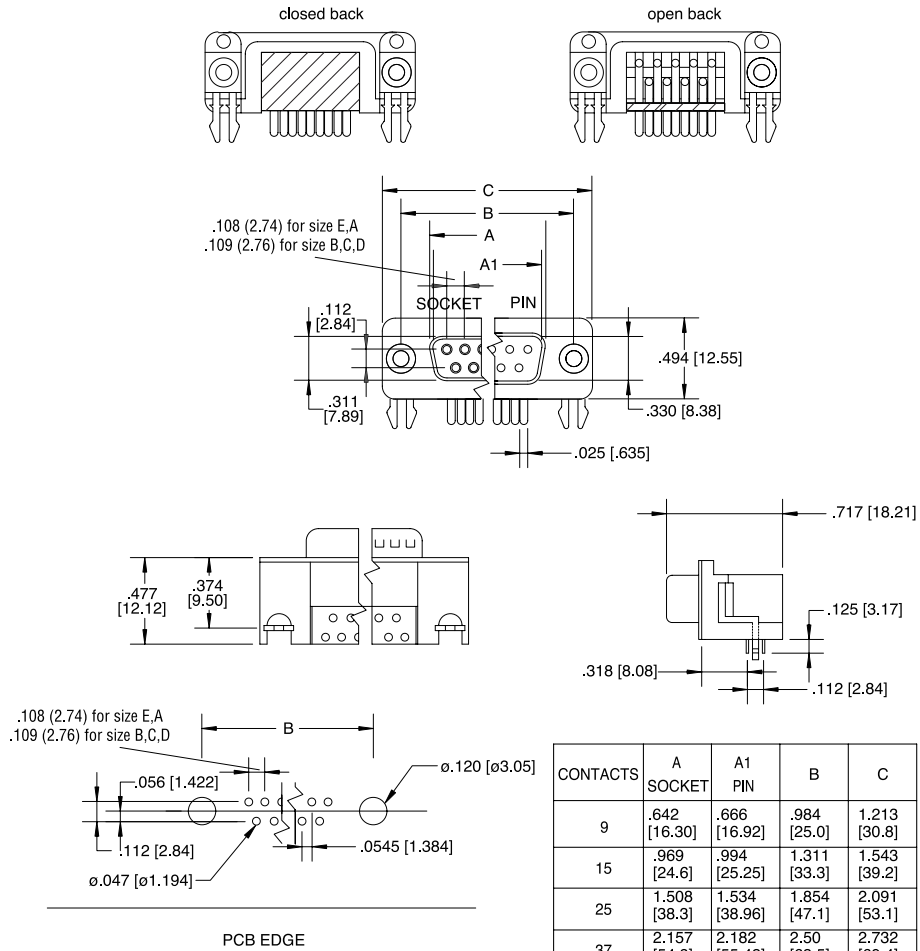
Amphenol's high temperature series meets the market demand for connectors that can withstand the high temperature soldering process. These connectors are compatible with surface-mount, infrared reflow soldering process.

17HTN Series right-angle connectors are available in 9, 15, 25 and 37 positions.



INCHES (MM)

DIMENSIONS



ORDERING INFORMATION

17HTN - X - X - XX - X - C - X

Series	17HTN	Code	Back Configuration
Code	Number of contacts	Blank	Closed back
E	9	O	Open back
A	15	Code	Packaging
B	25	C	Cartons
C	37	Code	Contact Plating
Code	Contact	0	3µ" (.07µm) flash gold terminal end area 100µ"/200µ" (2.54µm/5.08µm) -tin/lead, underplate of 50µ" (1.27µm) nickel
P	Pin (male)	1	Engagement area 10µ" (.25µm) gold, terminal end area 100µ"/200µ" (2.54µm/5.08µm) -tin/lead, underplate of 50µ" (1.27µm) nickel
S	Socket	2	Engagement area 30µ" (.76µm) gold, terminal end area 100µ"/200µ" (2.54µm/5.08µm) -tin/lead, underplate of 50µ" (1.27µm) nickel
Code	Panel Mounting Options	3	15µ" (.38µm) terminal end area 100µ"/200µ" (2.54µm/5.08µm) -tin/lead, underplate of 50µ" (1.27µm) nickel
4R	#4-40 Threaded hole		
4F	#4-40 Female screwlocks		

**High Temperature
Straight Board Mount Connectors**

SPECIFICATIONS:

MATERIALS AND PLATINGS

Shells	Steel/nickel plated
Contacts	Precision formed copper alloy
Contact Plating	Gold over nickel

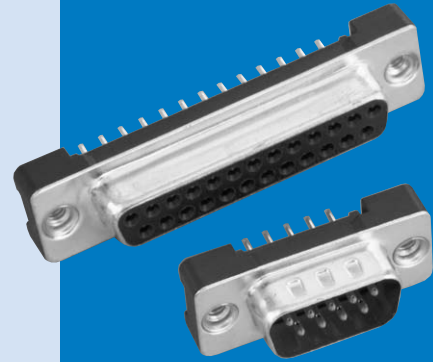
ELECTRICAL DATA

Current Rating	5 amps
Voltage Rating	600 V
Dielectric	Glass filled thermoplastic, black, UL 94 VO
Contact Resistance	10 milliohms (max.)

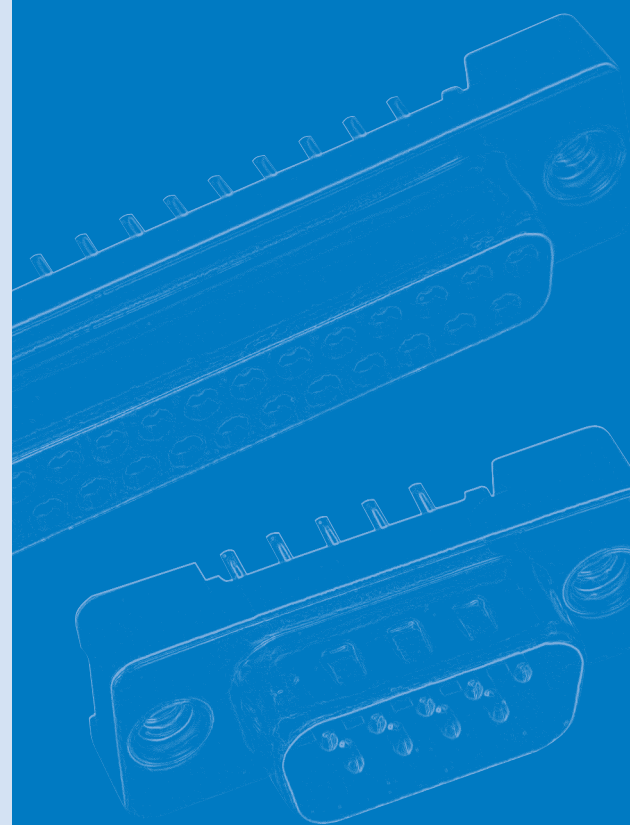
CLIMATIC DATA

Temperature Range	Environmental: -67°F (-55°C) to 302°F (150°C)
Process Compatibility	IR-Air Convection 500°F (260°C) for 20 seconds

617S SERIES

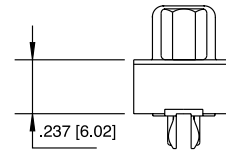
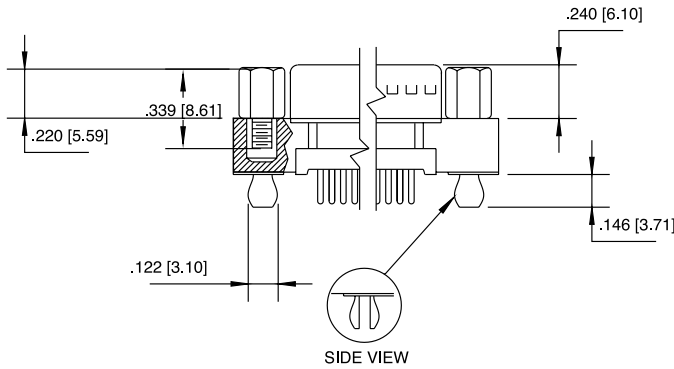
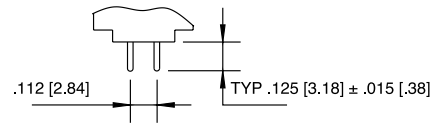
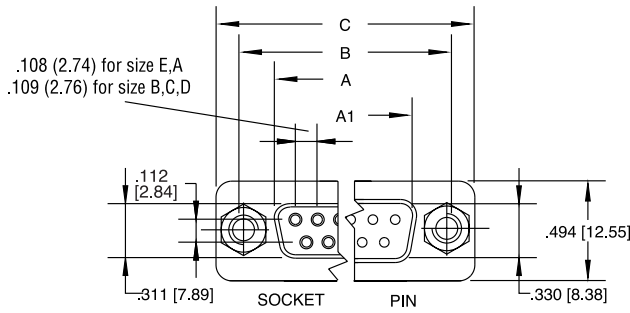


Amphenol's high temperature, low profile D-Sub connector gives you a high quality, reliable commercial connector to meet today's market demands.

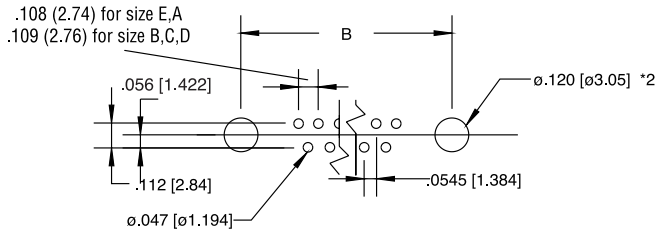


INCHES (MM)

DIMENSIONS



CONTACTS	A SOCKET	A1 PIN	B	C
9	.642 [16.30]	.666 [16.92]	.984 [25.0]	1.213 [30.8]
15	.969 [24.6]	.994 [25.25]	1.311 [33.3]	1.543 [39.2]
25	1.508 [38.3]	1.534 [38.96]	1.854 [47.1]	2.091 [53.1]
37	2.157 [54.8]	2.182 [55.42]	2.50 [63.5]	2.732 [69.4]



ORDERING INFORMATION

617S - C - 0XX - X - XX - X - XX

Series	617S	Code	C	Housing Characteristics	0XX
Code	C	Code	X	Code	X
	Split arrowhead boardlock			Code	XX
	No boardlock			Panel Mounting Options	
Number of contacts	9, 15, 25 or 37				
Code	S	Code	X		
	Socket (female)				
Code	BJ	Code	XX		
	Engagement area 10µ" (2.54µ), terminal end area 100µ"/200µ" (2.54µ/5.08µ) -tin/lead, underplate of 50µ" (1.27µ) nickel				
	AJ				
	Engagement area 30µ" (.76µ) gold, terminal end area 100µ"/200µ" (2.54µ/5.08µ) -tin/lead, underplate of 50µ" (1.27µ) nickel				

Stamped And Formed Contacts Solder-Cup And Straight PCB Termination

Standards: UL File: E149426
Connectors according to: MIL C24308 - NFC 93425-HE5

SPECIFICATIONS:

MATERIALS AND PLATINGS

Shells	Steel
Insulator	Glass-filled thermoplastic, UL 94V-0
Pin Contact	Brass, selected gold in mating area; 100µ" (2.54µm) min. tin-lead on termination area over 50µ" (1.27µm) min. nickel
Socket Contact	Phosphor bronze, selected gold in mating area; 100µ" (2.54µ) min. tin-lead on termination area over 50µ" (1.27µm) min. nickel
Rear Insert	Brass, 100µ" (2.54µm) min. nickel plated
Boardlock	Brass, 100µ" (2.54µm) min. nickel plated
Screwlock	Brass, 100µ" (2.54µm) min. nickel plated

ELECTRICAL DATA

Current Rating	Standard Density: 5A per contact
Voltage Rating	250V AC/ rms 50Hz
Withstanding Voltage	1000V AC/ rms 50Hz for one minute
Insulation Resistance	1000MΩ at 500V DC
Contact Resistance	20 mΩ max.

CLIMATIC DATA

Operating Temperature -67°F (-55°C) to +257°F (125°C)

MECHANICAL DATA

Single Contact Insertion Force 1.19 lb. (0.54 kg.) max.
Single Contact Withdrawal Force 0.13 lb. (0.06 kg.) min.

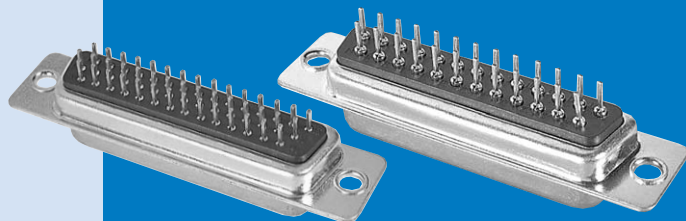
Mating and Unmating Force
Unit: lb. (kg.)

No. of Pos	SD	
	Mate (max.)	Unmate (min.)
9	3.05 (6.74)	0.36 (0.79)
15	5.09 (11.24)	0.46 (1.01)
25	8.44 (18.66)	0.81 (1.8)
37	12.51 (27.65)	1.1 (2.47)
50	14.65 (32.38)	1.6 (3.56)

Standard plating thicknesses

- gold flash
- 15µ" (0.381µm) gold
- 30µ" (0.76 µm) gold

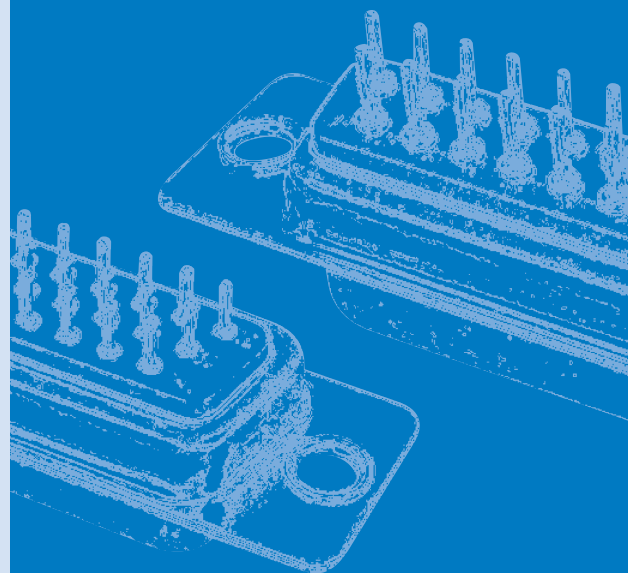
SD SERIES



Amphenol's SD series, features precision stamped and formed contacts with closed entry contact cavities in insulator.

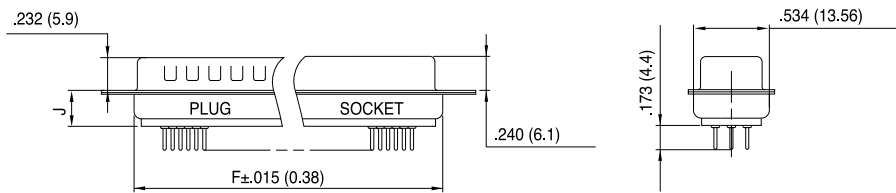
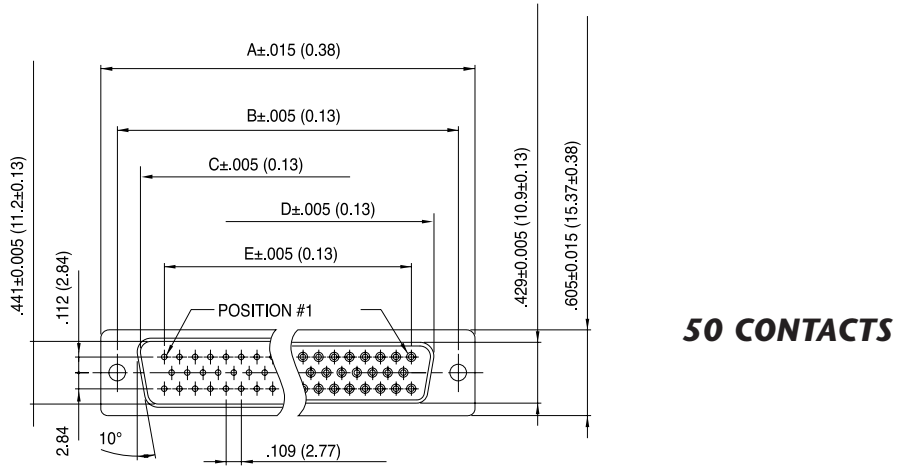
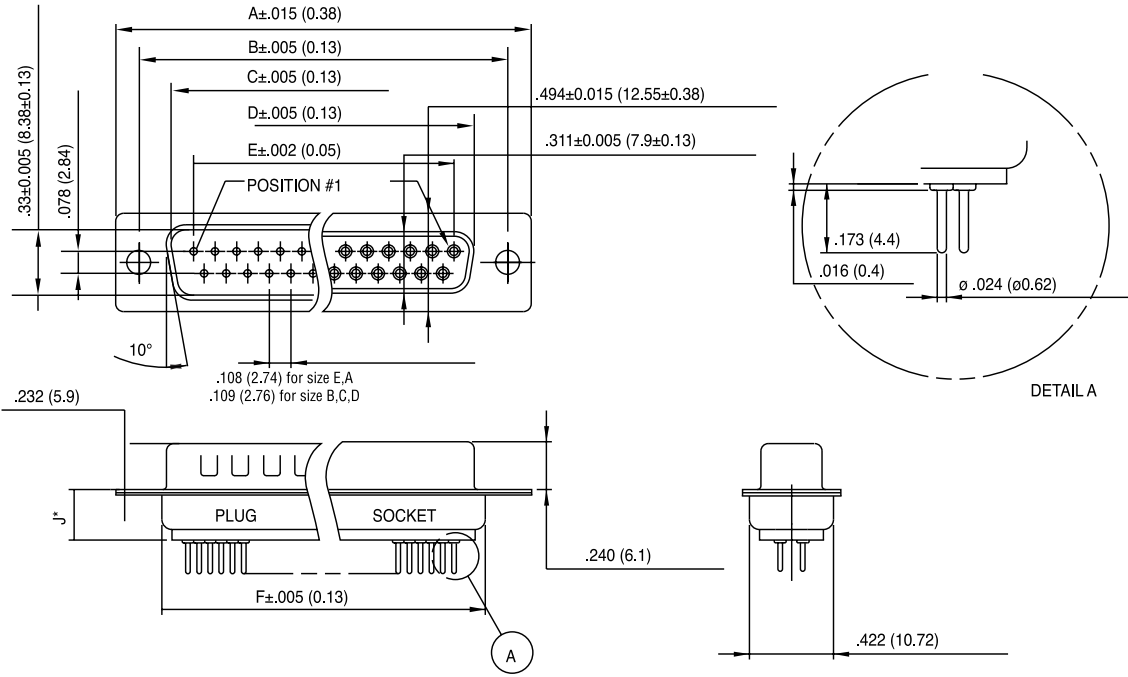
This series provides Amphenol's high standard of quality and reliability, to meet all of your commercial requirements.

- Industrial
- Telecom
- Any industry standard I / O connections



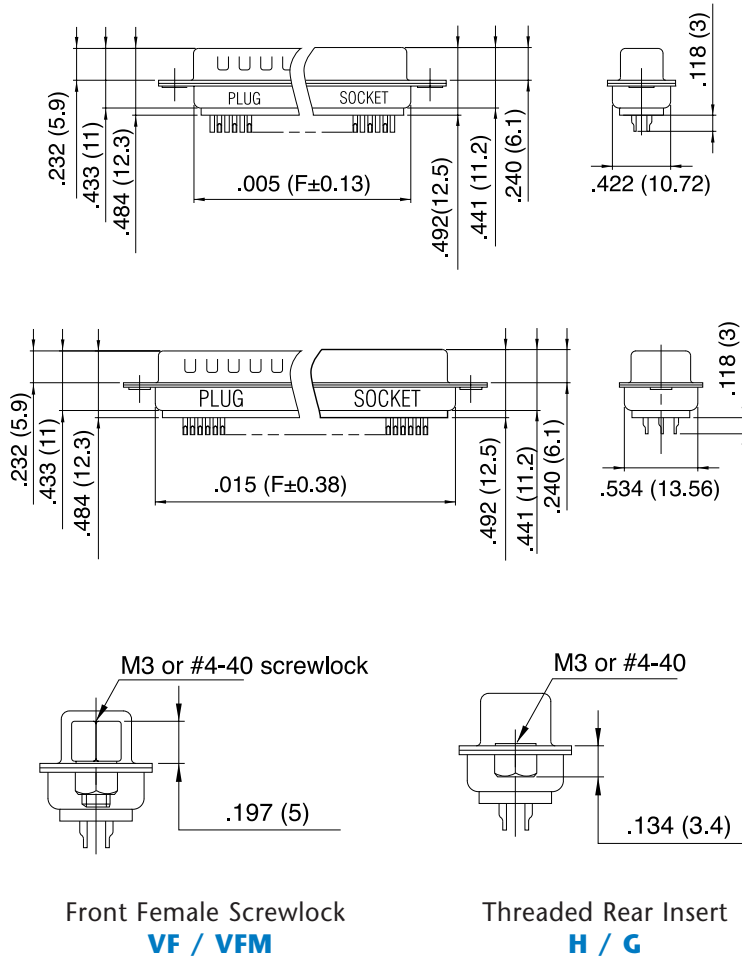
INCHES (MM)

DIMENSIONS

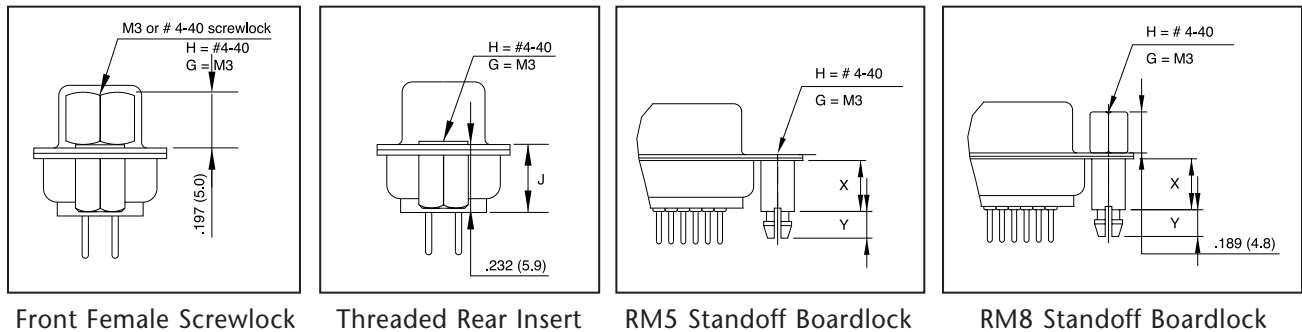


No. of Contacts	Dimensions					
	A	B	C	D	E	F
9	1.21 (30.84)	.98 (24.99)	.67 (16.92)	.64 (16.24)	.44 (11.09)	.76 (19.28)
15	1.54 (39.24)	1.31 (33.32)	.972 (24.7)	.97 (24.56)	.76 (19.39)	1.08 (27.51)
25	2.09 (53.04)	1.85 (47.04)	1.53 (38.96)	1.51 (38.38)	1.31 (33.24)	1.63 (41.30)
37	2.73 (69.32)	2.50 (63.50)	2.18 (55.42)	2.16 (54.76)	1.96 (49.86)	2.27 (57.71)
50	2.64 (67.06)	2.41 (61.11)	2.08 (52.86)	2.06 (52.34)	1.75 (44.32)	2.18 (55.3)

50 CONTACTS



PANEL MOUNTING OPTION PRINTED CIRCUIT BOARD TERMINATIONS



	RM5 RM8	RM5G RM8G
X	.236 (6.0)	.500 (12.7)
Y	.126 (4.2)	.126 (3.2)
J	.244 (6.2)	.465 (11.8)

INCHES (MM)

ORDERING INFORMATION

XXX - XX - X - X - XX - X - XXX - XXX - 309

Gold Flash	<p>77: tinned shell for receptacle</p> <p>717: tinned shell + dimples for plug</p>
15µ" (0.4µm)	<p>177: tinned shell for receptacle</p> <p>777: tinned shell + dimples for plug</p>

SD: standard density

Shell size: E, A, B, C, D

Mounting Type:

- H rear insert 4-40
- G rear insert M3
- blank standard rivet .120 (3.05)

H,G must also be used to specify the threading of RM5 or RM8 grounding tabs.

Plating Option:

valid only for 30µ" (0.76µm)

77 C309

or

717 C309

Grounding Tabs*:

RM5 boardlock

RM8 boardlock + front screwlock

*not available with s-cup

Termination

Straight for PCB = OL2

Blank = solder cup

Contact Type:

P pin

S socket

Configuration:

SD 9, 15, 25, 37, 50

For Filtered D-Sub, see page 56.

Fixed Machined Contact Connector

- Standards: • UL File: E119881
 • Connectors according to MIL C24308

SPECIFICATIONS:

MATERIALS AND PLATINGS

Shells	Steel yellow chromated over zinc or tinned steel with or without dimples on plug connector
Insulator	Glass-filled thermoplastic, UL 94V-0
Rear Insert	Brass, 118µ" up to 197µ" (3µm up to 5µm) tinned over nickel 78µ" up to 118µ" (2µm up to 3µm)
Boardlock	Tin-lead plating 157µ" up to 236µ" (4µm up to 6µm) over nickel 78µ" up to 118µ" (2µm up to 3µm)
Screwlock	Brass, 236µ" up to 394µ" (6µm up to 10µm) tinned over nickel 78µ" up to 118µ" (2µm up to 3µm)
Contacts	D: brass DF: pin = brass Socket = copper alloy
Right Angle Version	Selective gold in mating area over 78µ" up to 118µ" (2µm up to 3µm) nickel; 118µ" up to 197µ" (3µm up to 5µm) tin-lead on termination area over 78µ" up to 118µ" (2µm up to 3µm) nickel
Straight Version	Full gold plating over 78µ" up to 118µ" (2µm up to 3µm) nickel

ELECTRICAL DATA

Current Rating	7.5 A
Voltage Rating	300 V AC/rms 50Hz
Withstanding Voltage	1000V AC/rms 50Hz for one minute
Insulation Resistance	5000MΩ
Contact Resistance	D: 8.5mΩ max. DF: 5mΩ max.

CLIMATIC DATA

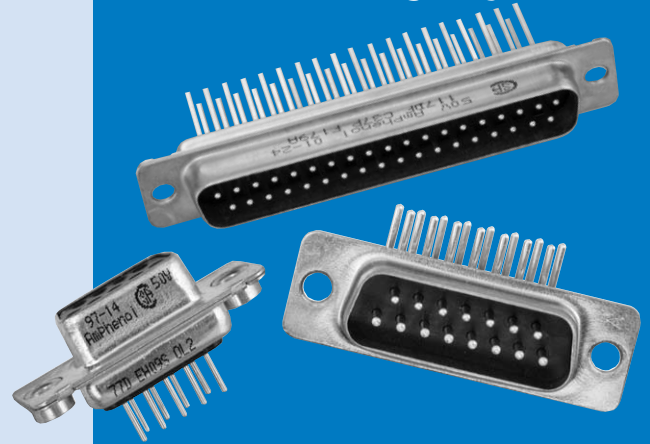
Operating Temperature	D: -67°F (-55°C) to +185°F (85°C), peak at 257°F (125°C) DF: -67°F (-55°C) to + 257°F (125°C)
------------------------------	--

MECHANICAL DATA

No. of Contacts	Mate (max.)	Unmate (min.)
9 (size E)	6.74 (3.05)	0.79 (0.36)
15 (size A)	11.24 (5.09)	1.01 (0.46)
25 (size B)	18.66 (8.44)	1.8 (0.81)
37 (size C)	27.65 (12.51)	2.47 (1.1)
50 (size D)	32.38 (14.65)	3.56 (1.6)

INCHES (MM)

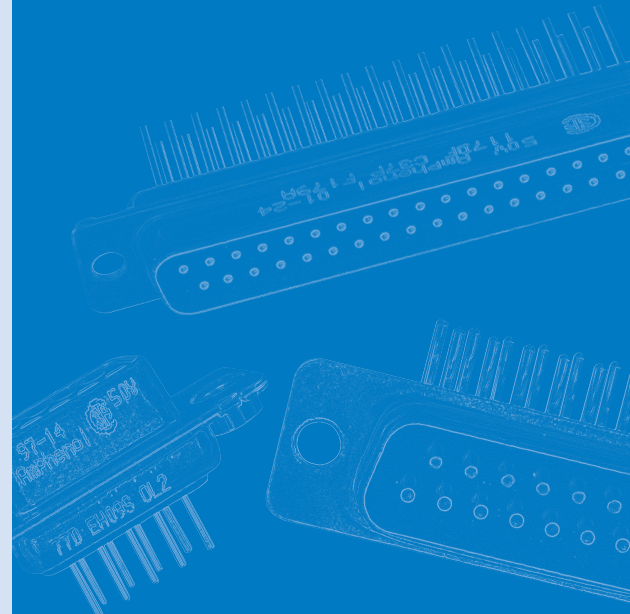
D-DF SERIES



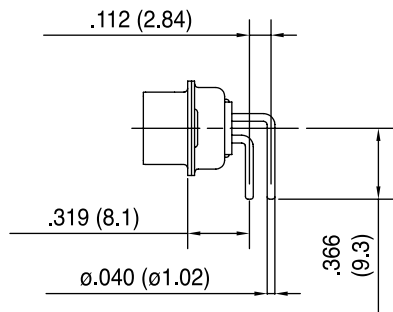
The Amphenol SD series features precision formed contacts, and 4 finger boardlocks.

This series gives you Amphenol's high standards of quality and reliability to meet all of your commercial requirements.

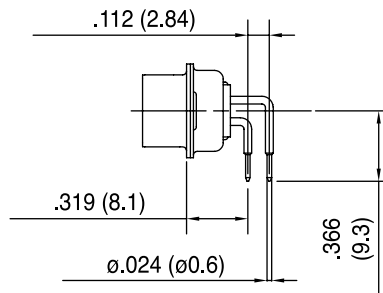
- Industrial
- Telecom
- Any industry standard I / O connections



Without bracket

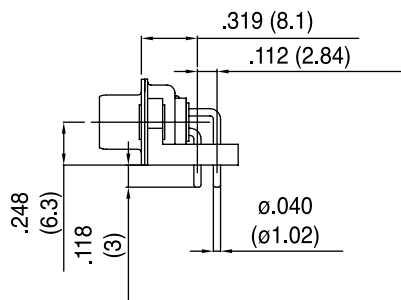


C

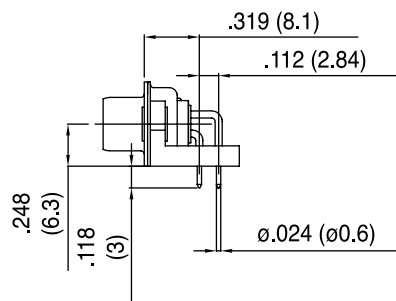


A4

Plastic bracket

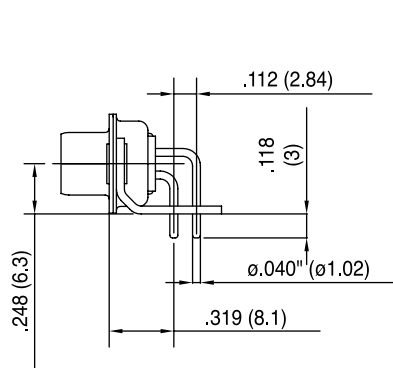


AJ3

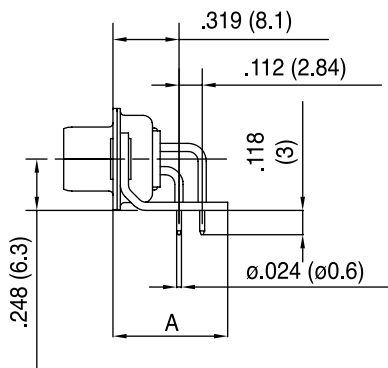


AJ4

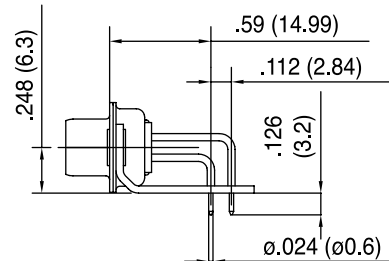
Metal bracket



A

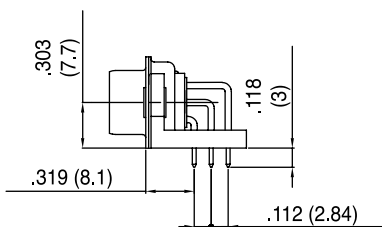


AM4 : A=.519 (13.2)
AZ4 : A=.453 (11.5)

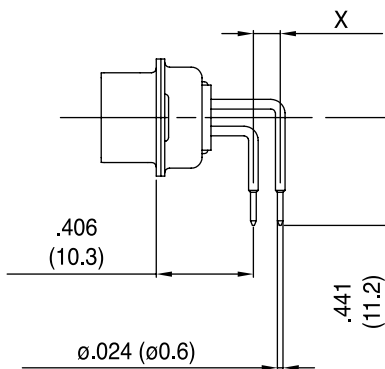


AM4B

50 contacts



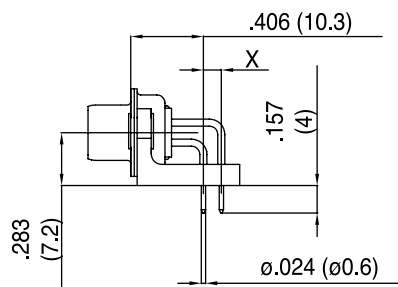
Without bracket



1AON : X= .100 (2.54)

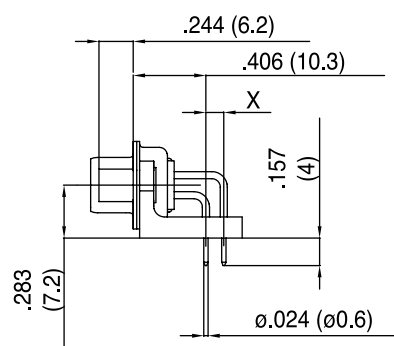
1BON : X= .112 (2.84)

Plastic bracket



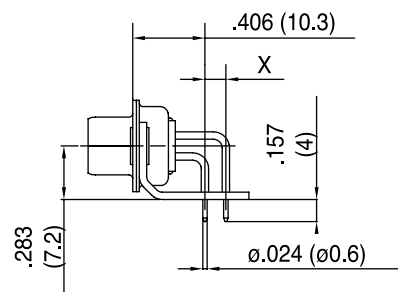
1APN : X= .100 (2.54)

1BPN : X= .112 (2.84)



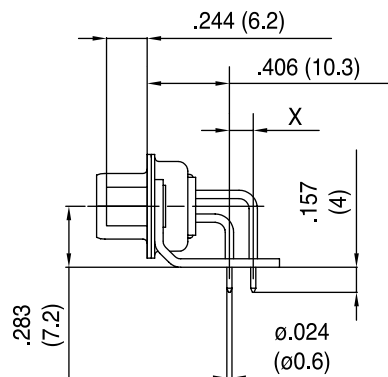
1AUN : X= .100 (2.54)

1BUN : X= .112 (2.84)



1AMN : X= .100 (2.54)

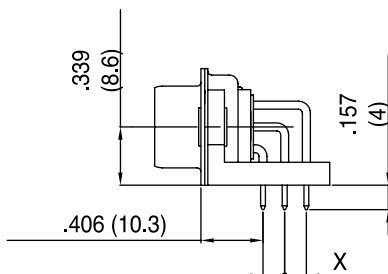
1BMN : X= .112 (2.84)



1ATN : X= .100 (2.54)

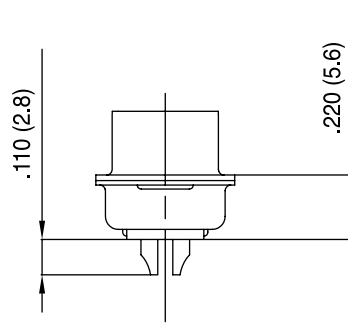
1BTN : X= .112 (2.84)

50 contacts

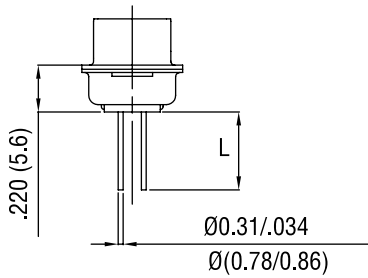


INCHES (MM)

Solder cup

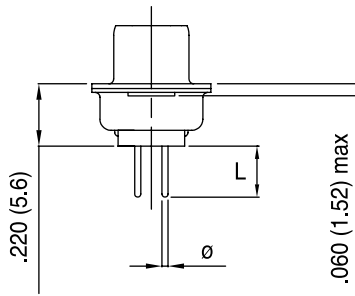


Wire Wrap



Termination	Nb of wraps	L
F179	2	.378 (9.6)
F179A	3	.512 (13)

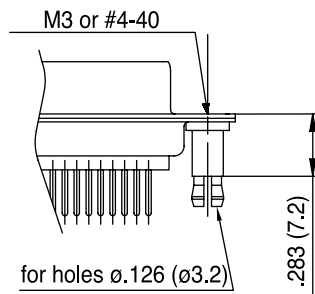
Straight PCB



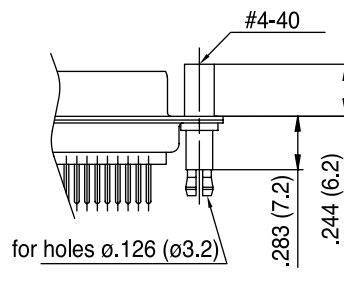
Termination	Ø	L
U	.024 (0.6)	.126 (3.2)
V	.040 (1.02)	.095 (2.4)
T	.024 (0.6)	.157 (4)
OL2	.02 (0.6)	.217 (5.5)

Grounding tabs

For straight termination



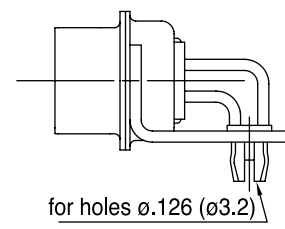
RM5



RM8

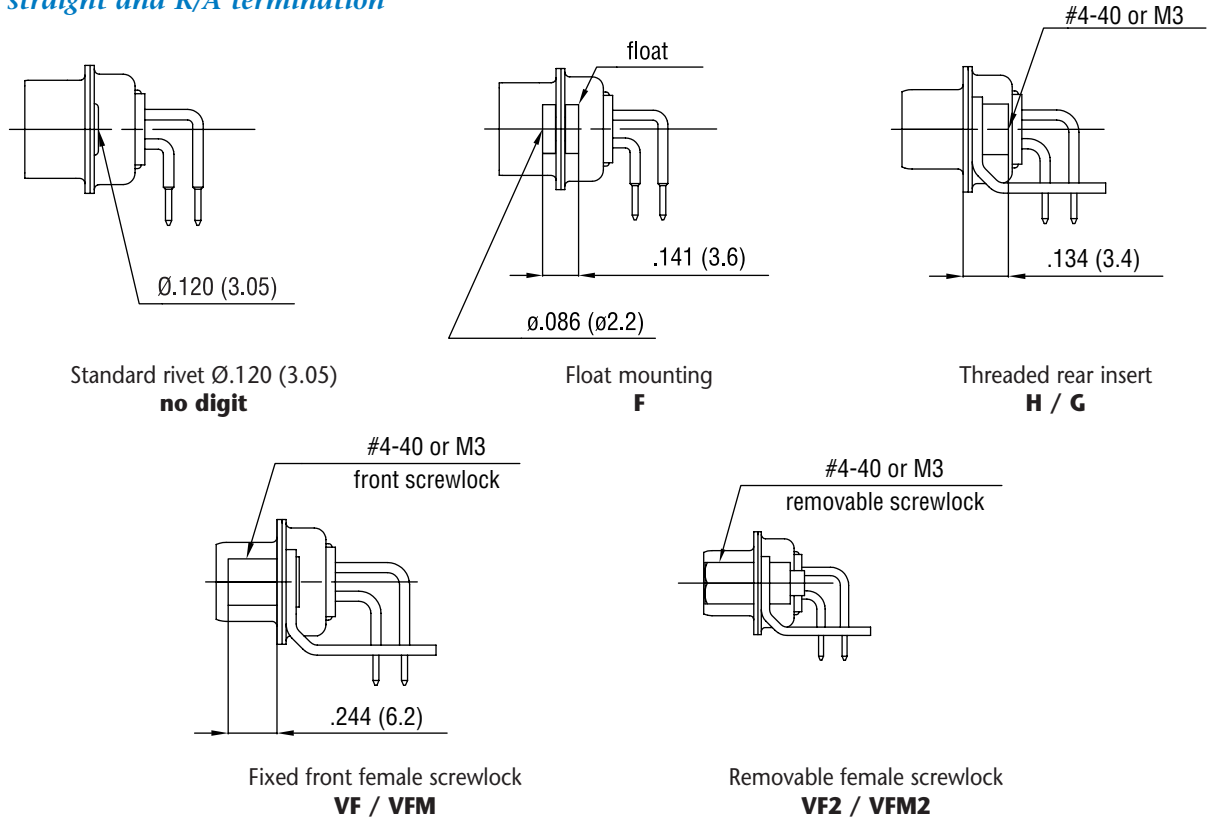
For R/A termination

FOR PCB .062 (1.6)

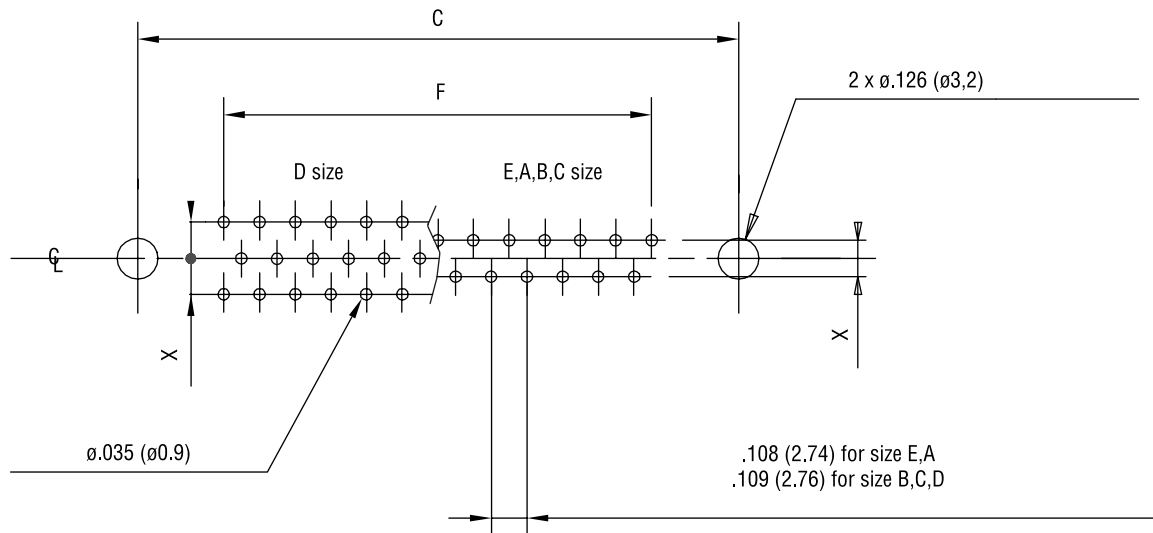


RM6

For straight and R/A termination



RECOMMENDED PCB LAYOUT



For straight PCB: X = .112 (2.84)
 For right angle PCB: MIL: X = .112 (2.84)
 European: X = .100 (2.54), .112 (2.84) in option

	size E	size A	size B	size C	size D
C $\pm .004$ (0.1)	.984 (25)	1.311 (33.3)	1.85 (47)	2.5 (63.5)	2.406 (61.1)
F $\pm .002$ (0.05)	.431 (10.96)	.755 (19.18)	1.304 (33.12)	1.956 (49.68)	1.74 (44.2)

INCHES (MM)

ORDERING INFORMATION

XXXXXX X X XX X XXXXX XXXX X

8µ" (0.2µm)	17D: yellow chromated shell 77D: tinned shell for receptacle 717D: tinned shell + dimples for plug
20µ" (0.5µm)	17DF: yellow chromated shell 77DF: tinned shell for receptacle 717DF: tinned shell + dimples for plug
30µ" (0.76µm)	117DF: yellow chromated shell 177DF: tinned shell for receptacle 777DF: tinned shell + dimples for plug

Shell size: E, A, B, C, D

Mounting Options:

- H rear insert 4-40
- G rear insert M3
- F float mounting
- no digit standard rivet .122 (ø 3.1)
- *H, G must also be used to specify the threading of RM5 grounding tabs.

Configuration: 09, 15, 25, 37, 50

Contact type:

- P pin
- S socket

For specific product

Grounding tabs:

- RM5 for straight PCB mounting*
- RM8 for straight PCB mounting + female lock
- RM6 for right angle PCB mounting
- VF front screwlock 4-40
- VFM front screwlock M3
- VF2 removable screwlock 4-40
- VF2M2 removable screwlock M3

Termination:

solder cup: no digit

Wire Wrap:

- F179 length .378 (9.6)
- F179A length .512 (13)

Straight PCB:

- U length .126 (3.2) tail ø.024 (ø0.6)
- V length .094 (2.4) tail ø.040 (ø1.02)
- T length .157 (4) tail ø.024 (ø0.6)
- OL2 length .216 (5.5) tail ø.024 (ø0.6)

Right Angle Connector:

MIL footprint

- without bracket: C tail ø.040 (ø1.02)
- A4 tail ø.024 (ø0.6)
- plastic bracket: AJ3 tail ø.040 (ø1.02)
- AJ4 tail ø.024 (ø0.6)
- metal bracket: A tail ø.040 (ø1.02)
- AM4 A ø.519 (13.2)
- AZ4 A ø.453 (11.5)
- AM4B footprint ø.590 (14.99)

European footprint

- without bracket: 1AON X .100 (2.54)
- 1BON X .112 (2.84)
- plastic bracket: 1APN X .100 (2.54)
- 1BPN X .112 (2.84)
- 1AUN X .100 (2.54)
- 1BUN X .112 (2.84)
- metal bracket: 1AMN X .100 (2.54)
- 1BMN X .112 (2.84)
- 1ATN X .100 (2.54)
- 1BTN X .112 (2.84)

■ : Standard options

For special request, please consult factory

For Filtered D-Sub, see page 56.

Screw Termination

D-ST SERIES

SPECIFICATIONS:

MATERIALS AND PLATINGS

Shells	Steel Tin plated
Insulator	Glass filled thermoplastic, UL94V-0
Contacts	Machined brass, full gold

ELECTRICAL DATA

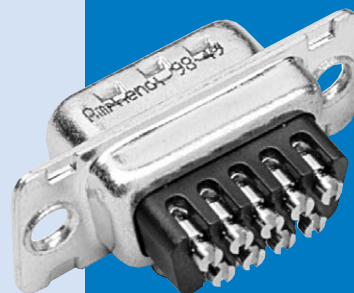
Current Rating	7,5 A max.
Voltage Rating	300 V RMS at 50 Hz
Withstanding Voltage	1000 V RMS at 50 Hz
Insulation Resistance	> 5000 Ω at 500 V DC
Contact Resistance	< 5 Ω

CLIMATIC DATA

Operating Temperature	-67°F (-55°C) to +185°F (85°C), peak at 257°F (125°C)
Damp Heat	21 days 219°F(104°C - 95% HR)
Salt Spray	48 hours

MECHANICAL DATA

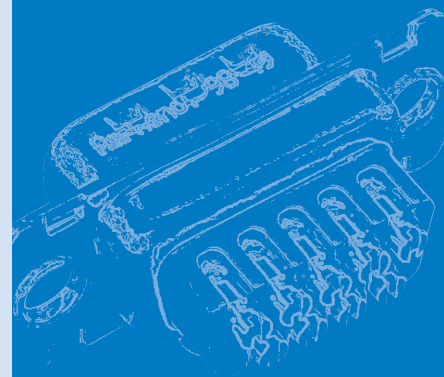
Cable Type	Solid or stranded
Cable Gauge	0,75 mm ² max. (AWG 18) - For bigger wire, please consult factory
Screw Torque	0,05 mN max.
Mating Cycles	100 (class II) or 500 (class I)



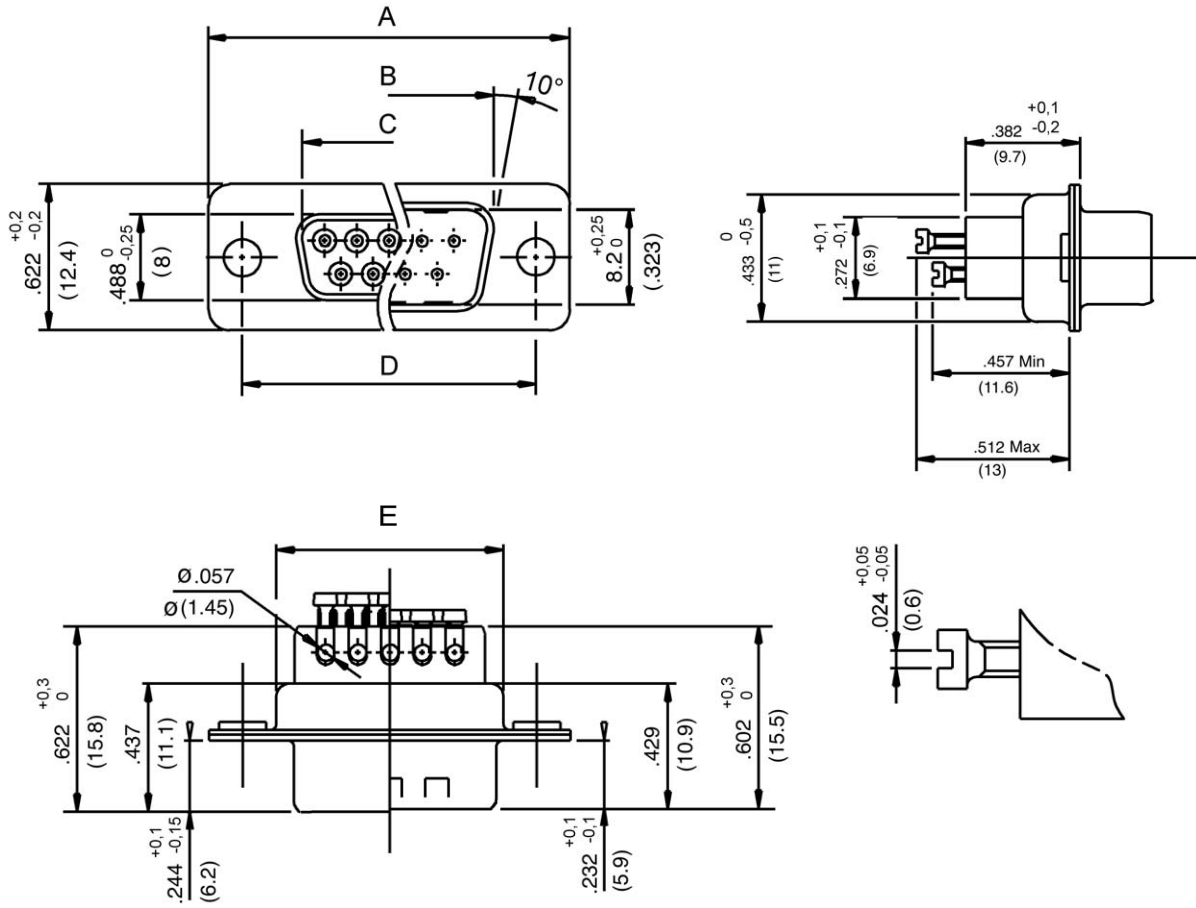
The Amphenol Screw Termination D-Sub series is especially designed for field applications.

These new connectors permit easy wiring without any specific tool; only a standard electrician's screwdriver is required. Due to their reduced overall dimensions, these connectors are compatible with all standard hoods and accessories.

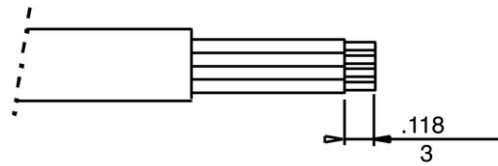
- Industry - control of speed variators and calculators.
- Houses and public buildings - control of heating, air conditioning, lighting, shutters and fire safety.
- Infrastructures - fluids control, motorway tolls and street lighting.



INCHES (MM)



Cable stripping



SIZE	A $+0.10$ (0.25) -0.10 (0.25)	B 0 -0.08 (0.2)	C $+0.08$ (0.2) 0	D $+0.04$ (0.1) -0.04 (0.1)	E $+0.04$ (0.1) -0.16 (0.4)
9	1.209 (30.7)	.646 (16.4)	.661 (16.8)	.984 (25)	.370 (19.4)
15	1.535 (39)	.976 (24.8)	.988 (25.1)	1.311 (33.3)	1.091 (27.7)
25	2.083 (52.9)	1.516 (38.5)	1.528 (38.8)	1.850 (47)	1.630 (41.4)
37	2.724 (69.2)	2.161 (54.9)	2.177 (55.3)	2.500 (63.5)	2.280 (57.9)

ORDERING INFORMATION

717D - E09 - P - ST - 1

Class II: 77D Female connector
717D Male connector, shells with dimples

Class I: 177D Female connector
777D Male connector, shells with dimples

Size and number of contacts E09, A15, B25, C37

Type of contact: P Male
S Female

Kit connector + hood option: (See following description)
1 DPPK hood
2 DSSK hood
3 DTZK hood
4 DVZK hood

Contact termination: ST Screw termination

PLASTIC HOODS



DPPK Straight cable entry

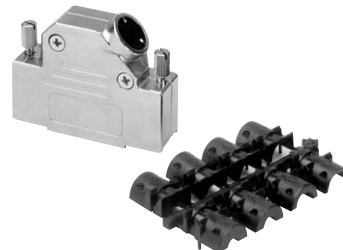


DSSK Angled cable entry

METALLIC HOODS



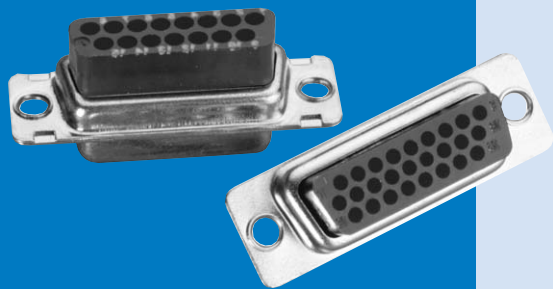
DTZK Straight cable entry



DVZK Angled cable entry

INCHES (MM)

RR-HR SERIES



Designed for high volume production, Amphenol's rear release crimp connector and contacts provide significant cost savings.

- EMI / RFI shell configuration.
- Removable, reusable contacts.
- Automatic and manual tooling available.

- Industrial
- Telecom
- Any industry standard I / O connections

Stamped And Formed Contacts Rear Release Crimp Connectors

- Standards:
- RR: UL File : E64911
 - HR: UL File : E149426
 - Connectors according to MIL C24308

SPECIFICATIONS:

MATERIALS AND PLATINGS

Shells	Steel yellow chromated over zinc or tinned steel with or without dimples on plug connector
Insulator	Black glass-filled thermoplastic, UL 94V-0
Rear Insert	Brass, 118 μ " up to 197 μ " (3 μ m up to 5 μ m) tinned over nickel 78 μ " up to 118 μ " (2 μ m up to 3 μ m)
Screwlock	Brass, 236 μ " up to 394 μ " (6 μ m up to 10 μ m) tinned over nickel 78 μ " up to 118 μ " (2 μ m up to 3 μ m)

Contacts	Under plating	Crimp side
8 μ " (0.2 μ m) gold	78 μ " (2 μ m) nickel	gold flash or tin
20 μ " (0.5 μ m) gold	78 μ " (2 μ m) nickel	gold flash or tin
30 μ " (0.76 μ m) gold	78 μ " (2 μ m) nickel	gold flash or tin

ELECTRICAL DATA

Current Rating	5A
Voltage Rating	500V AC/rms 50Hz
Withstanding Voltage	RR: 1000V AC/rms 50Hz for 1 minute HR: 1000V AC/rms 60Hz for 1 minute
Insulation Resistance	RR: 5000M Ω HR: 1000M Ω
Contact Resistance	10m Ω max.
Wire Size	20-28 AWG max. insulation out .05 (Ø1.27)

CLIMATIC DATA

Operating Temperature	67°F to 221°F (-55°C to +105°C)
-----------------------	---------------------------------

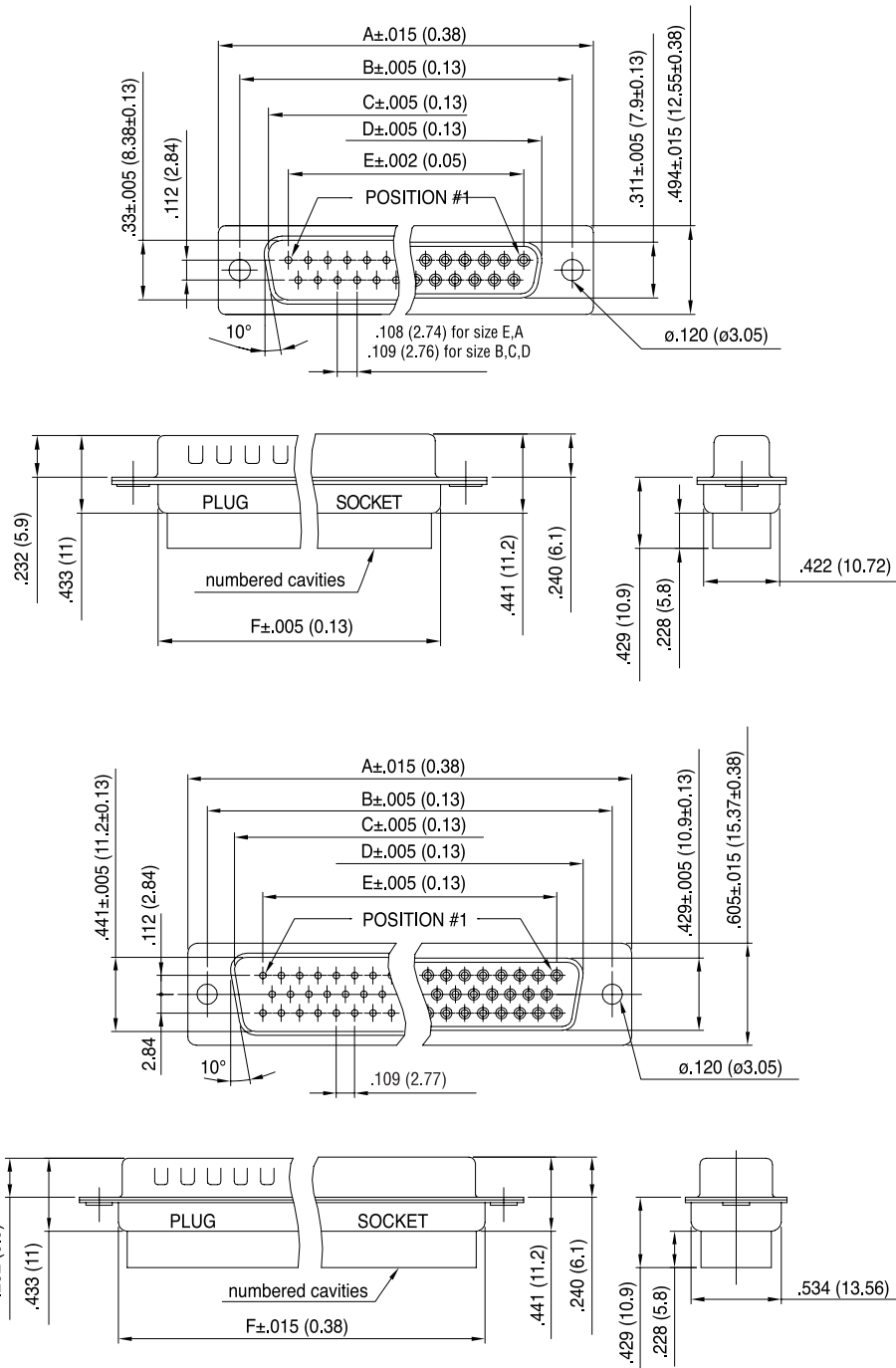
MECHANICAL DATA

Mating and Unmating Force

Unit: lb. (kg.)

No. of Contacts		Mate (max.)		Unmate (min.)	
RR	HR	RR	HR	RR	HR
9 (size E)	15 (size E)	6.74 (3.05)	8.42 (3.81)	0.79 (0.36)	1.14 (0.52)
15 (size A)	26 (size A)	11.24 (5.09)	13.16 (5.95)	1.01 (0.46)	2.32 (1.05)
25 (size B)	44 (size B)	18.66 (8.44)	20.46 (9.26)	1.8 (0.81)	3.02 (1.37)
37 (size C)	62 (size C)	27.65 (12.51)	29.78 (13.48)	2.47 (1.1)	3.88 (1.76)
50 (size D)	78 (size D)	32.38 (14.65)	34.96 (15.82)	3.56 (1.6)	4.46 (2.02)

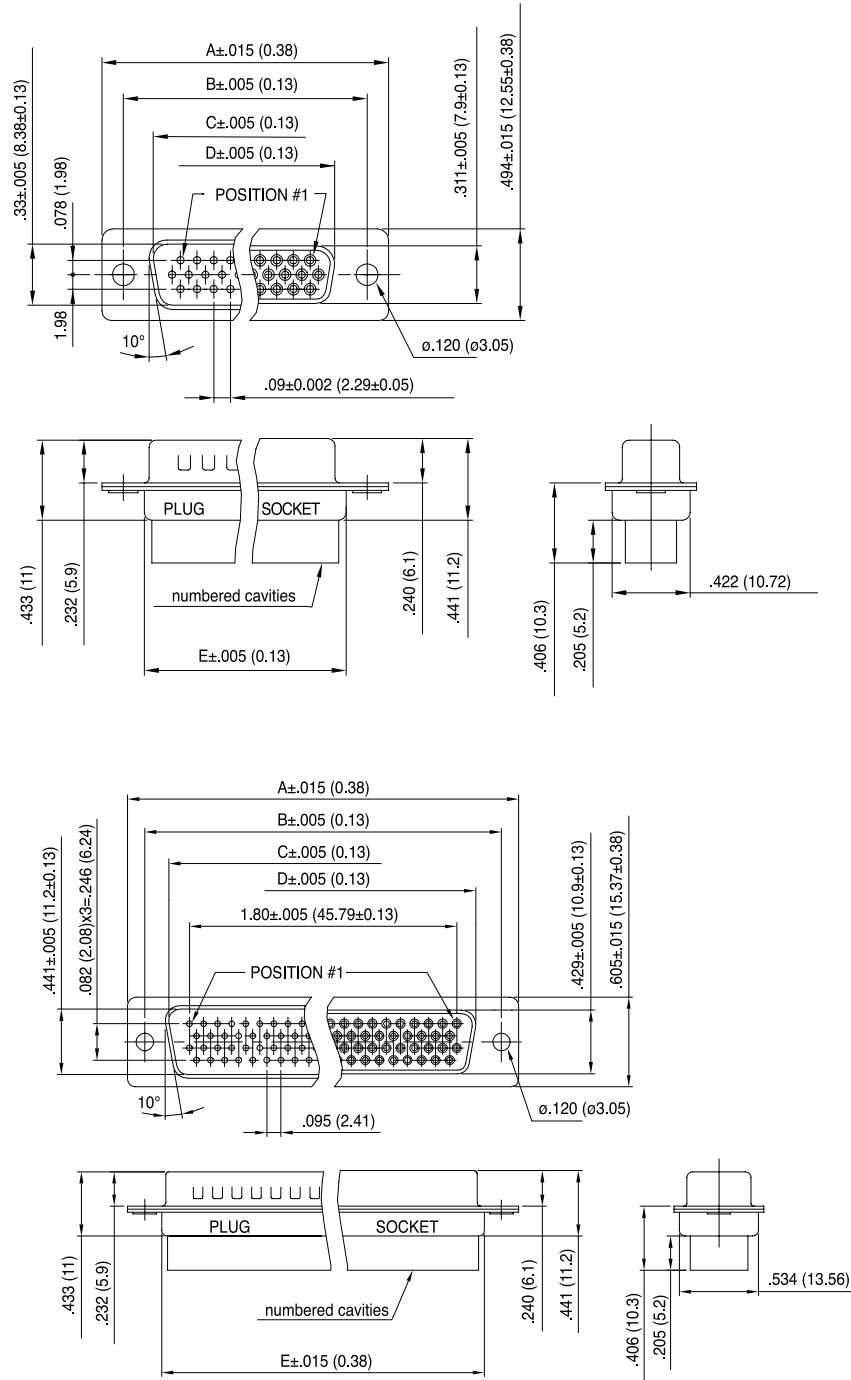
STANDARD DENSITY RR



No. of Contacts	Dimensions					
	A	B	C	D	E	F
9	1.21 (30.84)	.98 (24.99)	.67 (16.92)	.64 (16.24)	.44 (11.09)	.76 (19.28)
15	1.54 (39.24)	1.31 (33.32)	.972 (24.7)	.97 (24.56)	.76 (19.39)	1.08 (27.51)
25	2.09 (53.04)	1.85 (47.04)	1.53 (38.96)	1.51 (38.38)	1.31 (33.24)	1.63 (41.30)
37	2.73 (69.32)	2.50 (63.50)	2.18 (55.3)	2.16 (54.76)	1.96 (49.86)	2.27 (57.71)
50	2.64 (67)	2.41 (61.11)	2.08 (52.86)	2.06 (52.34)	1.75 (44.32)	2.18 (55.3)

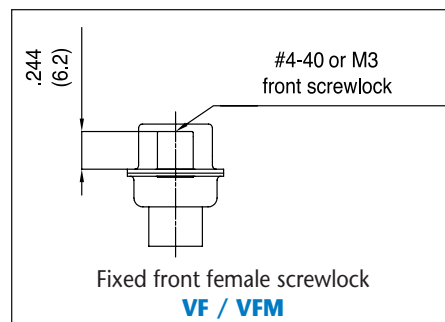
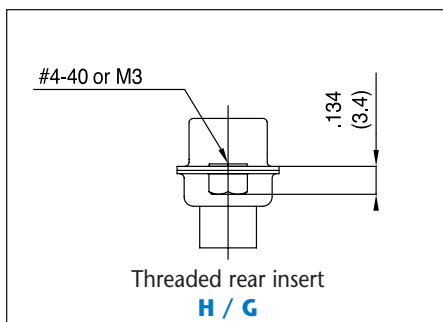
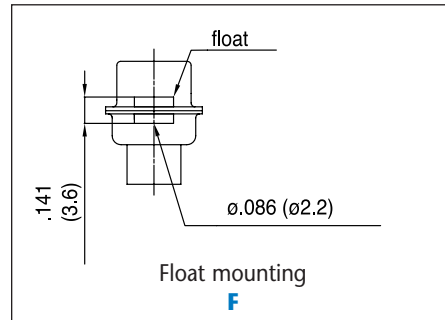
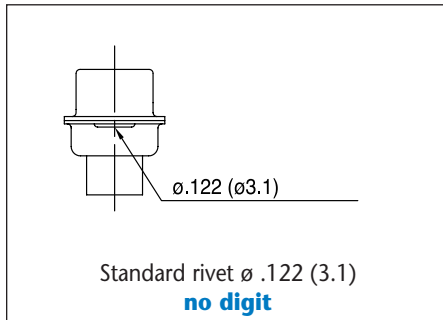
INCHES (MM)

HIGH DENSITY HR

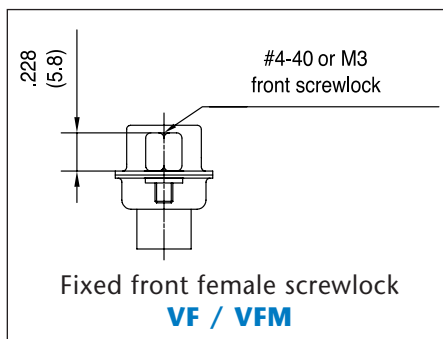
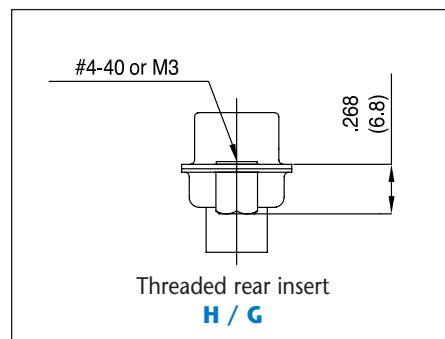
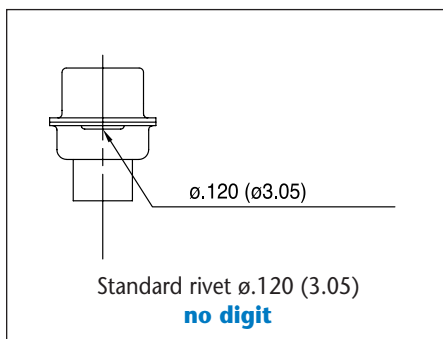


No. of Contacts	Dimensions				
	A	B	C	D	E
15	1.21 (30.84)	.98 (24.99)	.67 (16.92)	.64 (16.24)	.76 (19.28)
26	1.54 (39.24)	1.31 (33.32)	.972 (24.7)	.97 (24.56)	1.08 (27.51)
44	2.09 (53.04)	1.85 (47.04)	1.53 (38.96)	1.51 (38.38)	1.63 (41.30)
62	2.73 (69.32)	2.50 (63.50)	2.18 (55.42)	2.16 (54.76)	2.27 (57.71)
44	2.64 (67)	2.41 (61.11)	2.08 (52.86)	2.06 (52.34)	2.18 (55.3)

PANEL MOUNTING OPTION



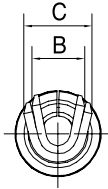
HIGH DENSITY



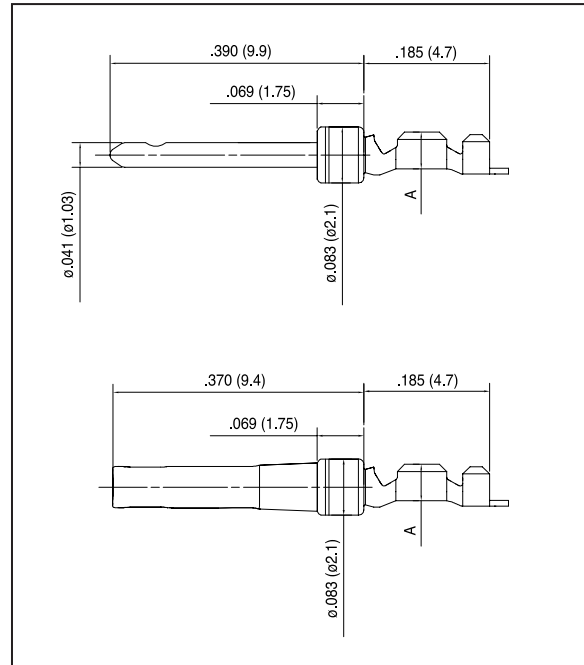
INCHES (MM)

CONTACTS

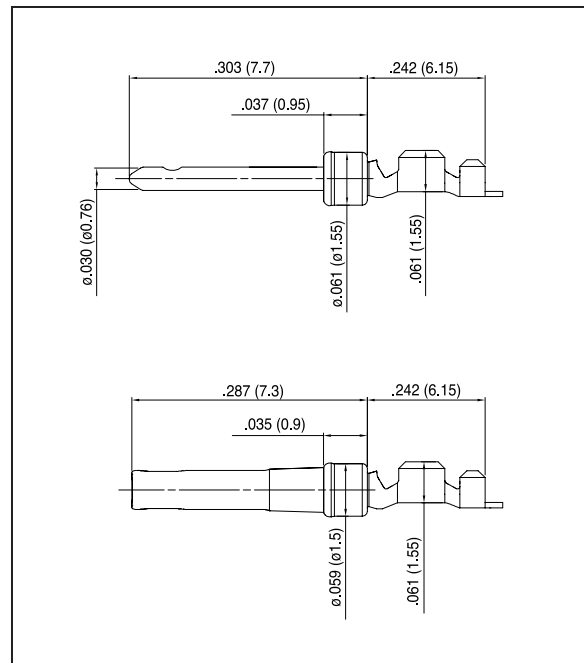
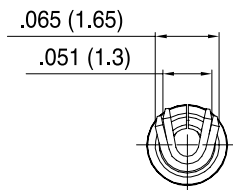
Standard density



AWG	A	B	C
20-24	.071 (1.8)	.075 (1.9)	.098 (2.5)
24-28	.055 (1.4)	.059 (1.5)	.066 (1.7)



High density



ORDERING INFORMATION - RR (STANDARD DENSITY)

Housings

XXX - RR - X - X - XX - X - XXX

117: yellow chromated shell
177: tinned shell for receptacle
777: tinned shell + dimples for plug

Shell Size: E, A, B, C, D

Rear Mounting Type :

- H** rear insert 4-40
- G** rear insert M3
- no digit** standard rivet ø.120 (3.05)
- F** float mounting

Front Mounting Type :

- VF** front screwlock 4-40
- VFM** front screwlock M3

Contact Type:

- P** pin
- S** socket

Configuration:

- 09, 15, 25, 37, 50

Contacts

17 - RR - XX - X - XX - XXX

Wire Size:

- D1:** 20 to 24 AWG
- D2:** 24 to 28 AWG

Contact Type:

- M** male
- F** female

Full Gold Plating:

- 01** 8µ*(0.2µm)
- 02** 20µ*(0.5µm)
- 04** 30µ*(0.76µm)

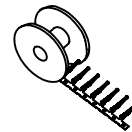
Selective Gold Plating:

- 11** 8µ*(0.2µm) Au
+ 78µ*(2µm) SnPb
- 12** 20µ*(0.5µm) Au
+ 78µ*(2µm) SnPb
- 14** 30µ*(0.76µm) Au
+ 78µ*(2µm) SnPb

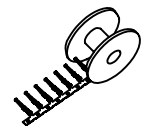
Packaging :

- 100** bulkpack unit (100 cts)
- 400** reel of 400 cts
- 2K** reel of 2000 cts
- 10K** reel of 10000 cts (right feed reel)
- 10G** reel of 10000 cts (left feed reel)

REEL WINDING DIRECTION



Left to right feed reel: **G**



Right to left feed reel: **K**

For special request, please consult factory

INCHES (MM)

ORDERING INFORMATION - HR (HIGH DENSITY)

Housings

XXX - HR - X - X - XX - X - XXX

117: yellow chromated shell
177: tinned shell for receptacle
777: tinned shell + dimples for plug

Shell Size: E, A, B, C, D

Rear Mounting type :
H rear insert 4-40
G rear insert M3
no digit standard rivet ø.120 (3.05)

Front Mounting Type :
VF front screwlock 4-40
VFM front screwlock M3

Contact Type:
P pin
S socket

Configuration:
 15, 26, 44, 62, 78

Contacts

17 - HR - D2 - X - XX - XXX

Wire Size:
24 to 28 AWG


Contact Type:
M male
F female

Full Gold Plating:
01 8µ* (0.2µm)
02 20µ* (0.5µm)
04 30µ* (0.76µm)

Selective Gold Plating:
11 8µ* (0.2µm) Au
 + 78µ* (2µm) SnPb
12 20µ* (0.5µm) Au
 + 78µ* (2µm) SnPb
14 30µ* (0.76µm) Au
 + 78µ* (2µm) SnPb

Packaging :
5K reel of 5000 cts (right feed reel)
5G reel of 5000 cts (left feed reel)
10K reel of 10000 cts (right feed reel)
10G reel of 10000 cts (left feed reel)

REEL WINDING DIRECTION



Left to right feed reel: **G** Right to left feed reel: **K**

For special request, please consult factory

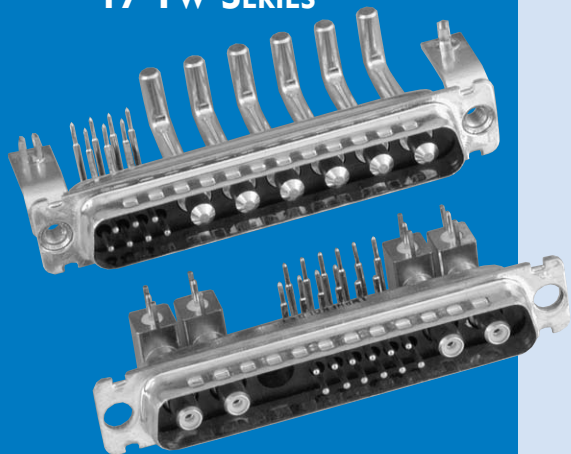
TOOLING FOR CRIMP CONTACTS

For standard density crimp contacts: 17RR series

- | | |
|---|-------------|
| • Contact insertion and removal tool | 17D 438 SP |
| • Hand crimp tool for single contacts AWG 20 to 28 | 17D 440 SP |
| • Hand crimp tool for reels of 400 contacts | FA 0000 762 |
| crimp dies: AWG 20 to 24 | FA 0000 104 |
| crimp dies: AWG 24 to 28 | FA 0000 102 |
| • Stripping box | FE 0400 |
| • Automatic crimp machine for reels of 2000 to 10000 contacts | 970 MC |
| crimp dies: AWG 20 to 24 | 968 MC |
| crimp dies: AWG 24 to 28 | 972 MC |

For high density crimp contacts: 17HR series

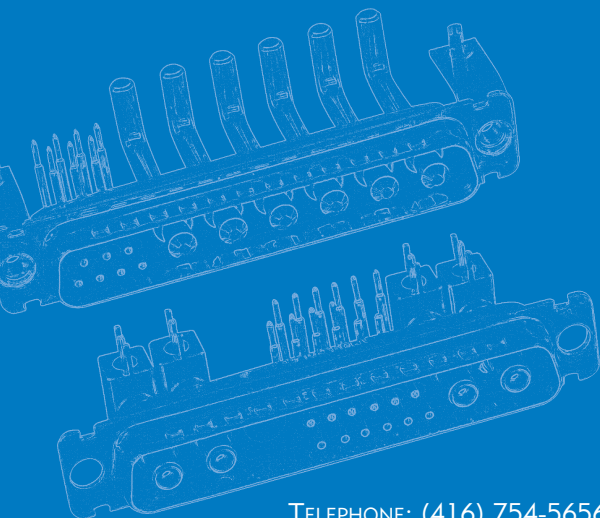
- | | |
|---|--------|
| • Automatic crimp machine for reels of 2000 to 10000 contacts | 970 MC |
| crimp dies: AWG 24 to 28 | 973 MC |



Amphenol's 17TW series hybrid D-Subminiature connectors are available with power, coax, high voltage and signal contacts assembled in the same connector body. These connectors are supplied with screw-machined contacts which are fixed in the insulator.

The board-mount product offering includes straight and right-angle terminations. The cable connectors are available in crimp and solder terminations. These connectors are compatible with the infra-red reflow soldering process. The 17TW series offers eighteen housing configurations in five shell sizes.

- Industrial
- Telecom
- Any industry standard I / O connections



SPECIFICATIONS:

MATERIALS AND PLATINGS

Shells	Steel with tin plating or yellow chromate with or without grounding dimples High temperature black thermoplastic
Insulators	
Signal Contacts	
Female	Machined bronze
Male	Machined brass
Plating	16 μ "(.40 μ m) or 30 μ "(.76 μ m) gold over 79 μ "(1.97 μ m) nickel
Coax Contacts	
Female	Machined bronze
Male	Machined brass
Plating	Inner conductor: 16 μ "(.40 μ m) gold or 30 μ "(.76 μ m) gold over 79 μ "(1.97 μ m) nickel Outer ring: 10 μ "(.25 μ m) gold over 79 μ "(1.97 μ m) nickel Tinned. (Solder cup and crimp terminations are gold flash.)
Terminations	Tinned. (Solder cup and crimp terminations are gold flash.)
Power Contacts	
Female	Machined bronze
Male	Machined brass
Plating	Contacts: 16 μ "(.40 μ m) gold or 30 μ "(.76 μ m) gold over 79 μ "(1.97 μ m) nickel
Terminations	Tinned. (Solder cup and crimp terminations are gold flash.)
Brackets	Steel with tin plating
Front Jackscrews	Brass with tin plating or yellow chromate
Rear Clinch Nuts	Brass with tin plating or yellow chromate
Boardlocks:	Bronze with tin plating
Stand-offs	Brass with tin plating

ELECTRICAL DATA

Current Rating: Signal Contacts	7.5 amps with 10 amp peaks
Power Contacts: PCB, Solder-Cup, Crimp	10 to 40 amps
	0.5 amps
Current Rating: Signal & Power Contacts	300 VRMS at 50 Hz
Coax Contacts	150 VRMS at 50 Hz
Coax Contacts Frequency range:	0 -1 GHz
Attenuation:	0.2 dB
V.S.W.R.:	1.4 (+0.04/GHz)
Characteristic Impedance	50 Ohms
Dielectric Withstanding Voltage	\geq 1000V R.M.S. at 50Hz
Insulation Resistance	\geq 5000 megaohms at 500 V D.C.
Contact Resistance	\leq 5 milliohms
Shell Resistance (electrical grounding)	\leq 1 milliohm

CLIMATIC DATA

Shell Resistance (electrical grounding)	\leq 1 milliohm
Operating Temperature	67°F (-55°C) to 311°F (+155°C) with peaks up to 356°F (180°C)
Damp Heat	56 days 104°F (40°C) at 95% RH
Salt Spray	48 hours

MECHANICAL DATA

Contact Retention Force in Dielectric Material	$>$ 40 N
Maximum Mating and Unmating Force	
with dimples	A size: 80 N B size: 100 N C size: 150 N D size: 180 N E size: 70 N
without dimples	A size: 50 N B size: 80 N C size: 120 N D size: 160 N E size: 30 N
Process Compatibility	IR - air convection: 500°F (260°C) for 20 seconds Soldering iron: 500°F (260°C) for 30 seconds
Mating Cycles	\geq 200 (16 μ "(.41 μ m) gold) \geq 500 (30 μ "(.76 μ m) gold) Blind Mating System Available upon request
Polarization	Available with locking accessories, consult factory
Derating Curves for Power Contacts:	see page 51
Pull-out Force for Crimped Contacts:	see page 51
Approvals:	UL - File number: E 64911 / CSA - File number: LR 57744
Shell Dimensions:	See page 64

SHELLS AND CONTACT PLATING

CLASS I

30µ" (0.76µm) Au contacts gold plating
500 mating cycles

CLASS II

16µ" (0.4µm) Au contacts gold plating
200 mating cycles

Types	Shells and plating
117 TW	Yellow chromated shell Male and female
177 TW	Tin plated shell Female
777 TW	Tin plated shell with dimples Male only NOTE: Tin plated shells standard

Types	Shells and plating
17 TW	Yellow chromated shell Male and female
77 TW	Tin plated shell Female
717 TW	Tin plated shell with dimples Male only NOTE: Tin plated shells standard

HOUSING ARRANGEMENTS

Male front view

Arrangement Shell size	 5W1 E	 7W2 A	 11W1 A
Arrangement Shell size	 3W3 A	 5W5 B	 9W4 B
Arrangement Shell size	 13W3 B	 17W2 B	 21W1 B
Arrangement Shell size	 27W2 C	 13W6 C	 17W5 C
Arrangement Shell size	 21WA4 C	 8W8 C	 25W3 C
Arrangement Shell size	 24W7 D	 36W4 D	 43W2 D

ORDERING INFORMATION

XXX - X - XWX - X - XXXX - XX - XXXX - X

Contact & Shell Plating Prefix

Contact Plating	Shell Plating		
	Yellow Chromate	Tinned	Tinned & Indents*
16µ(0.4µm) gold over nickel	17TW	77TW	717TW
30µ(0.76µm) gold over nickel	117TW	177TW	777TW

*plug only

Special Deviations

- High voltage contacts
- Fiberoptic contacts
- Consult factory

Board Mounting Options

(see page 40.)

- blank** .122 (3.10) mounting hole
- RM53** Snap-in standoff boardlock, M3 threaded on panel-mount side
- RM54** Snap-in standoff boardlock, 4 40 UNC 2B threaded on panel mount side
- RM83** Snap-in standoff boardlock with non-removable M3 threaded female screwlock on panel-mount side
- RM84** Snap-in standoff boardlock with non-removable 4-40 UNC 2B threaded female screwlock on panel-mount side

Shell Size	Configuration (see page 38.)
E	5W1
A	3W3
A	7W2
A	11W1
B	5W5
B	9W4
B	13W3
B	17W2
B	21W1
C	8W8
C	13W6
C	17W5
C	21WA4
C	25W3
C	27W2
D	24W7
D	36W4
D	43W2

(Consult factory for size D availability)

Panel Mounting Options

(see page 40.)

- blank** .122 (3.10) mounting hole
- 4F** 4-40 Front female screwlock
- 4R** 4-40 Rear screwlock
- 3F** M3 Front female screwlock
- 3R** M3 Rear screwlock
- A514** Blind mating system

Loaded Contacts

blank Solder-cup signal contacts only - (order pwr/coax contacts separately) (See pages 45-47.)

- P3SY** 40 amp power and signal combination
- P2SY** 20 amp power and signal combination
- CSY** Coax and signal combination
- SY** Signal only
- P3Y** 40 amp power only (3W3, 5W5, 8W8)
- P2Y** 20 amp power only (3W3, 5W5, 8W8)
- CY** Coax only (3W3, 5W5, 8W8)

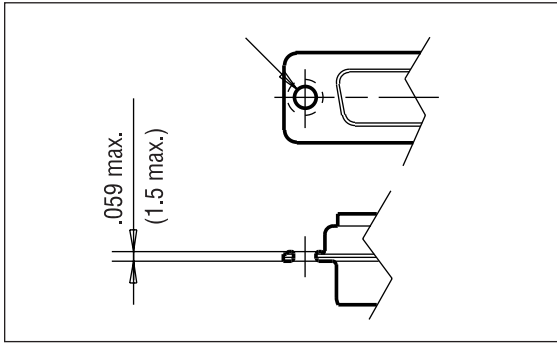
Board Mount Only

Code	Contact Type
P	Pin (male)
S	Socket (female)

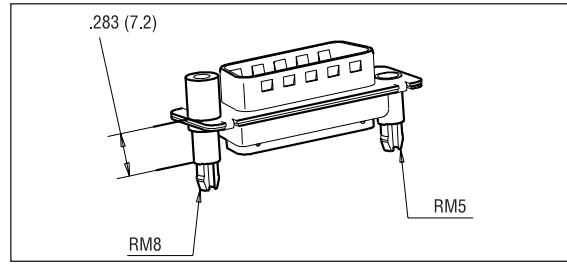
For Filtered Combo's, see page 56.

Straight version

Blank: .122 (3.10) dia. mounting hole

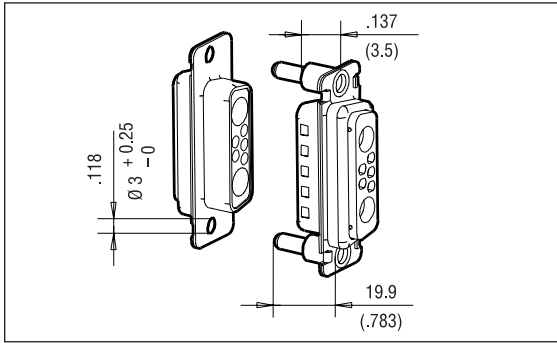


RM54: RM5 4.40 threaded
 RM53: RM5 M3 threaded

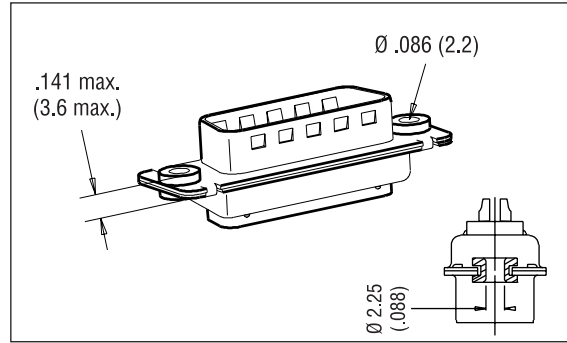


RM84: RM8 4.40 threaded
 RM83: RM8 M3 threaded

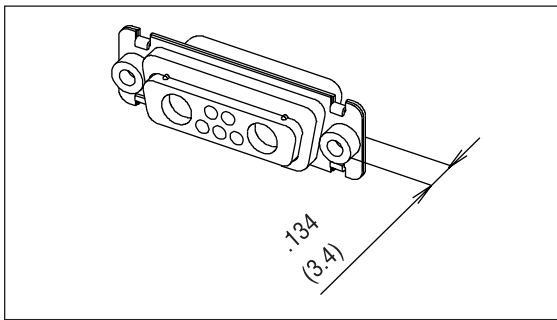
A514: blind mating system



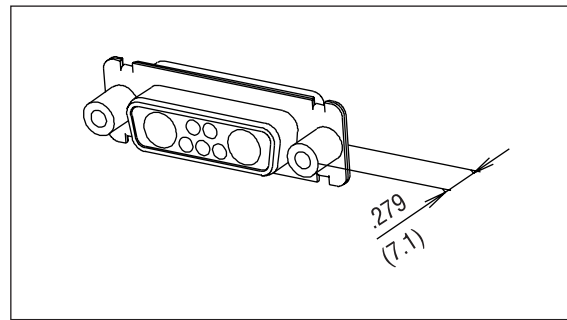
FM: float mounting system



4R: 4.40 rear nut
 3R: M3 rear nut

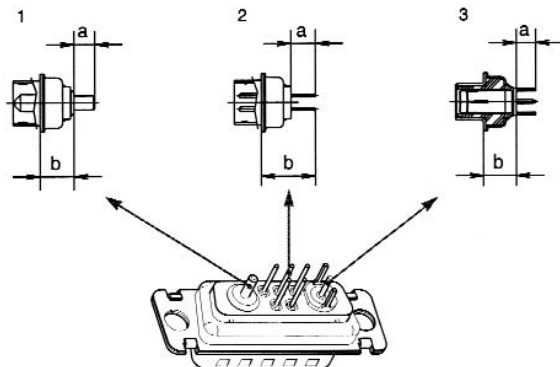


4F: 4.40 front female screwlock
 3F: M3 front female screwlock



Signal tail .0236 (0.6) dia.
 .063 (1.6) PCB
 For other PCB thickness: consult factory.

Description		Dimensions	
		a	b
Power .126 (3.20) tail dia.	1	.177 (4.50)	.283 (7.2)
Power .0787 (2.0) tail dia.	1	.177 (4.50)	.283 (7.2)
Shielded	3	.157 (4.00)	.283 (7.2)
Signal	2	.196 (5.00)	.453 (11.50)



INCHES (MM)

RECOMMENDED BOARD LAYOUT (COMPONENT SIDE, MALE)

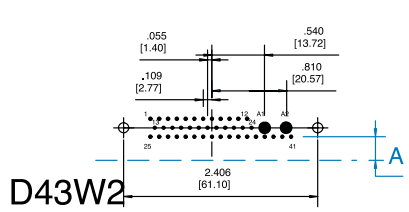
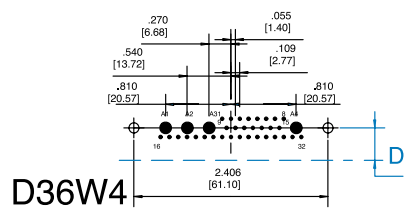
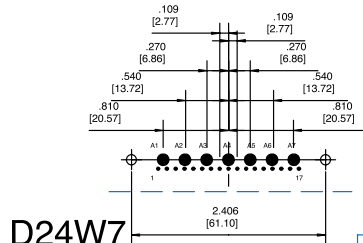
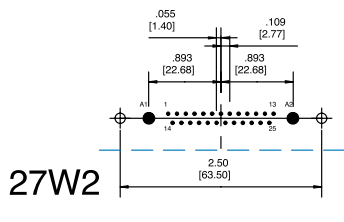
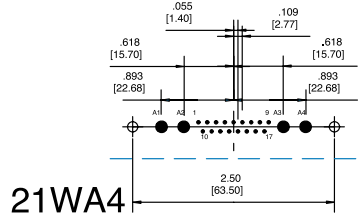
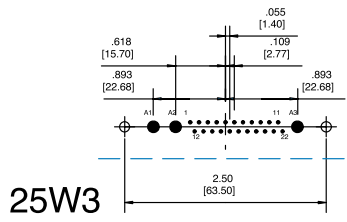
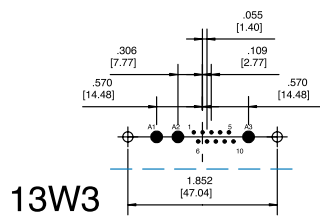
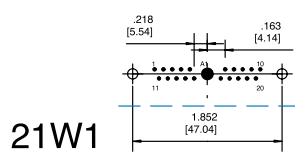
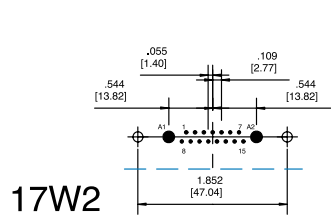
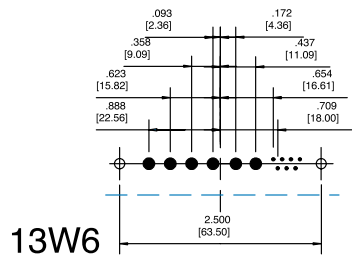
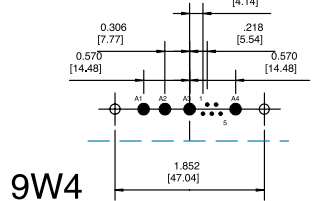
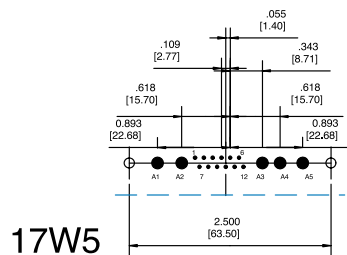
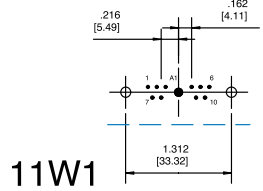
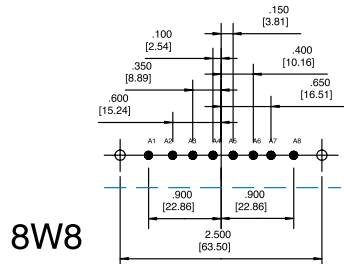
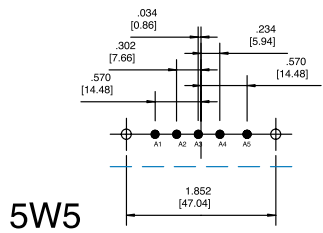
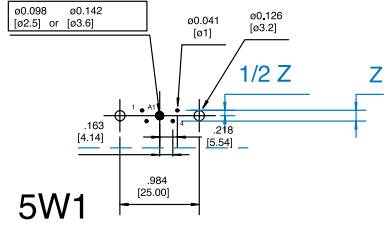
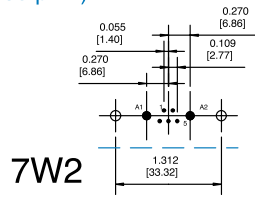
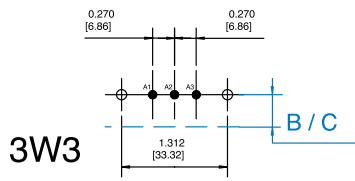
Straight .079 [2.00] and .126 [3.20] Power and Signal Contacts

P2Y P2SY
P3Y P3SY

Right Angle .079 [2.00] Power and Signal Contacts

EP2V EP2SV (European Footprint)
HP2V HP2SV (Mixed Footprint)
MP2V MP2SV (US Footprint)

--- Denotes right angle dimensions



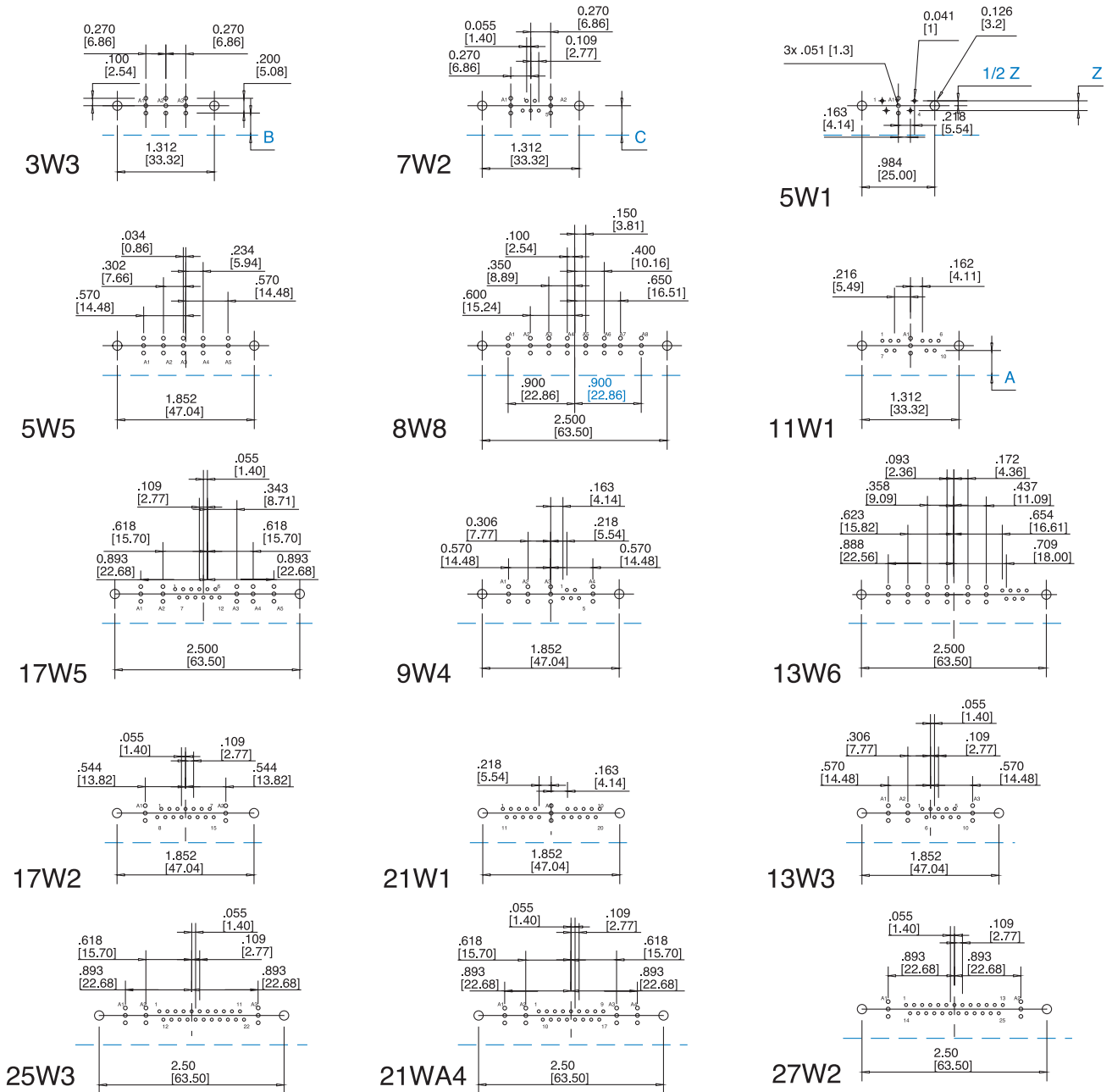
	A	B/C	D	Z
EURO FOOTPRINT	.370 [9.40]	.420 [10.67]	.470 [11.94]	.100 [2.54]
US FOOTPRINT	.283 [7.20]	.339 [8.62]	.395 [10.40]	.112 [2.84]
MIX FOOTPRINT	.370 [9.40]	.420 [10.67]	.470 [11.94]	.100 [2.54]

A = SIGNAL B = POWER C = BOARD LOCKS D = D SHELL BOARD LOCKS Z = PITCH

RECOMMENDED BOARD LAYOUT

Straight Coax and Signal Contacts
 CY CSY
 Right Angle Coax and Signal Contacts
 HCV HCSV (Mixed Footprint)
 MCV MCSV (US Footprint)

— — — Denotes right angle dimensions



	A	B	C	Z
MIX FOOTPRINT	.370 [9.40]	.370 [9.40]	.420 [10.67]	.100 [2.54]
US FOOTPRINT	.283 [7.20]	.370 [9.40]	.339 [8.62]	.112 [2.84]

A = SIGNAL B = POWER C = BOARD LOCKS Z = PITCH

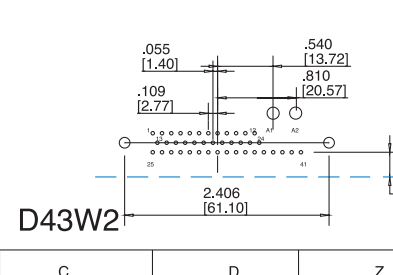
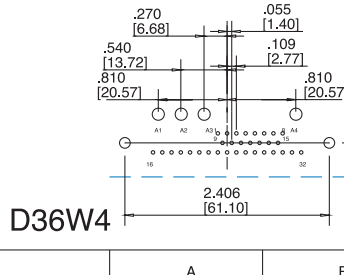
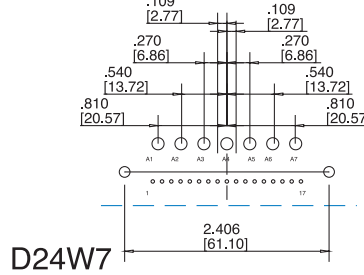
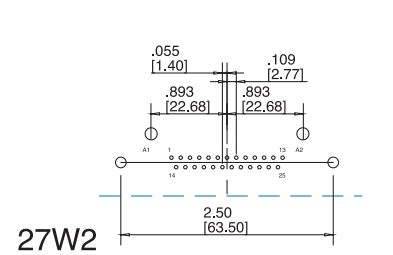
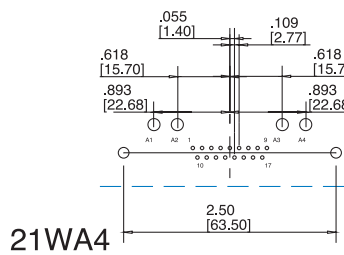
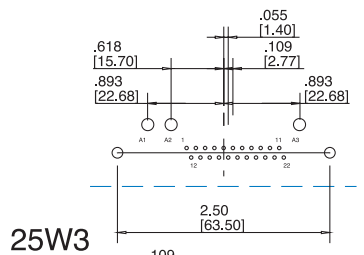
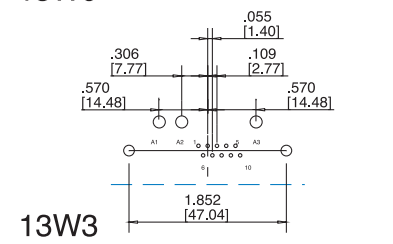
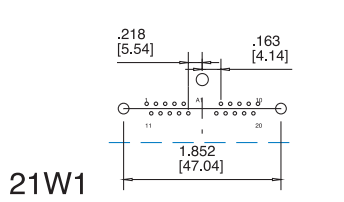
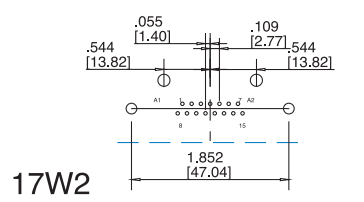
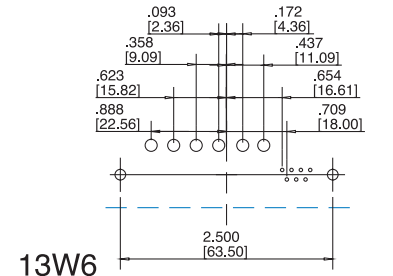
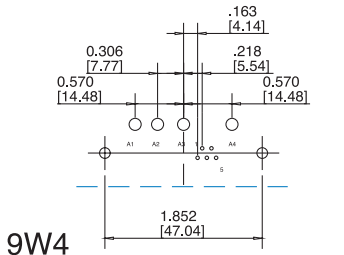
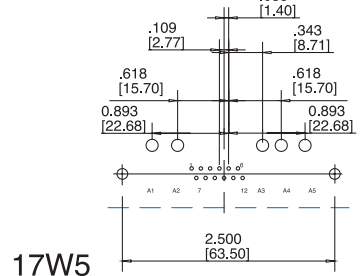
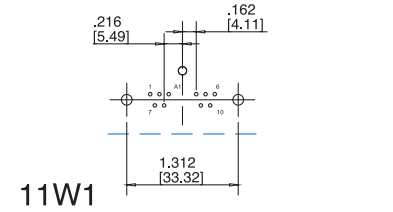
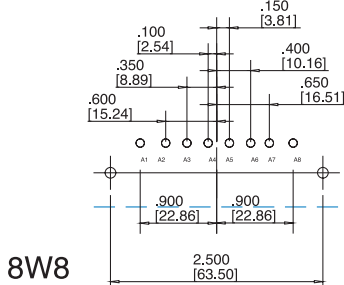
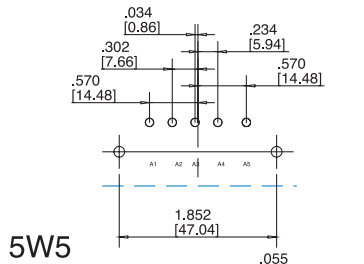
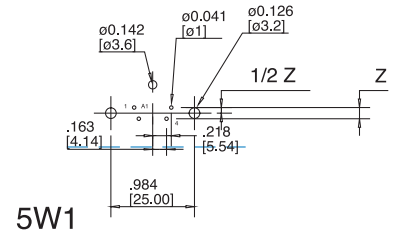
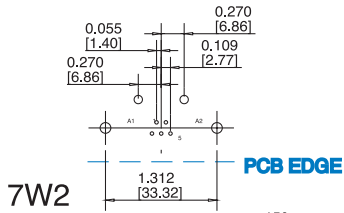
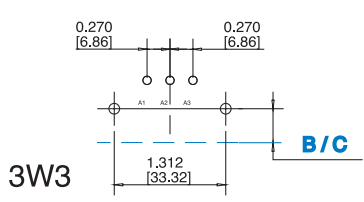
INCHES (MM)

RECOMMENDED BOARD LAYOUT

Right Angle .126 [3.20] Power and Signal Contacts

EP3V EP3SV (European Footprint)
HP3V HP3SV (Mixed Footprint)
MP3V MP3SV (US Footprint)

--- Denotes right angle dimensions



	A	B	C	D	Z
EURO FOOTPRINT	.370 [9.40]	.809 [20.56]	.420 [10.67]	.470 [11.94]	.100 [2.54]
US FOOTPRINT	.283 [7.20]	.809 [20.56]	.339 [8.62]	.395 [10.04]	.112 [2.84]
MIX FOOTPRINT	.370 [9.40]	.809 [20.56]	.420 [10.67]	.470 [11.94]	.100 [2.54]

A = SIGNAL B = POWER C = BOARD LOCKS D = D SHELL BOARD LOCKS Z = PITCH

ORDERING INFORMATION

XXX - X - XWX - X - XXXX - XX - XXXX - X

Contact & Shell Plating Prefix

Contact Plating	Shell Plating		
	Yellow Chromate	Tinned	Tinned & Indents*
16μ(0.4μm) gold over nickel	17TW	77TW	717TW
30μ(0.76μm) gold over nickel	117TW	177TW	777TW

*plug only

Shell Size	Configuration (see page 38.)
E	5W1
A	3W3
A	7W2
A	11W1
B	5W5
B	9W4
B	13W3
B	17W2
B	21W1
C	8W8
C	13W6
C	17W5
C	21WA4
C	25W3
C	27W2
D	24W7
D	36W4
D	43W2

(Consult factory for size D availability)

Code	Contact Type
P	Pin (male)
S	Socket (female)

Special Deviations
High voltage contacts
Fiber Optic contacts
Consult factory

Board Mounting Options
(see page 48.)

- blank** .122 (3.10) mounting holes
in metal brackets
- RM6** Snap-in boardlocks mounted
on metal brackets

Panel Mounting Options
(see page 48.)

- blank** .122 (3.10) mounting hole
- 4F** 4-40 Front female screwlock
- 4R** 4-40 Rear screwlock
- 3F** M3 Front female screwlock
- 3R** M3 Rear screwlock
- A514** Blind mating system:

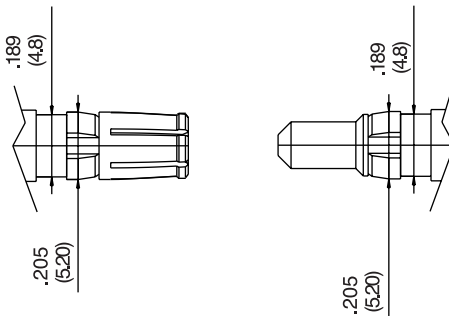
Loaded Contacts
(see page 48.)

- MP3SV** US footprint, 40 amp power and signal combination
- MP2SV** US footprint, 20 amp power and signal combination
- MCSV** US footprint, coax and signal combination
- MSV** US footprint, signal only
- MP3V** US footprint, 40 amp power only (3W3, 5W5, 8W8)
- MP2V** US footprint, 20 amp power only (3W3, 5W5, 8W8)
- MCV** US footprint, coax only (3W3, 5W5, 8W8)
- EP3SV** European footprint, 40 amp power and signal combination
- EP2SV** European footprint, 20 amp power and signal combination
- ESV** European footprint, signal only
- EP3V** European footprint, 40 amp power only (3W3, 5W5, 8W8)
- EP2V** European footprint, 20 amp power only (3W3, 5W5, 8W8)
- HP3SV** Mixed footprint, 40 amp power and signal combination
- HP2SV** Mixed footprint, 20 amp power and signal combination
- HCSV** Mixed footprint, coax and signal combination
- HSV** Mixed footprint, signal only
- HP3V** Mixed footprint, 40 amp power only (3W3, 5W5, 8W8)
- HP2V** Mixed footprint, 20 amp power only (3W3, 5W5, 8W8)
- HCV** Mixed footprint, coax only (3W3, 5W5, 8W8)

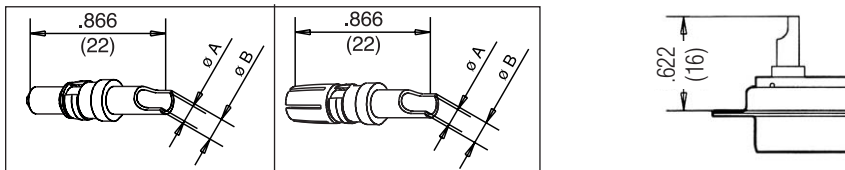
For Filtered Combo's, see page 56.

INCHES (MM)

High power contacts



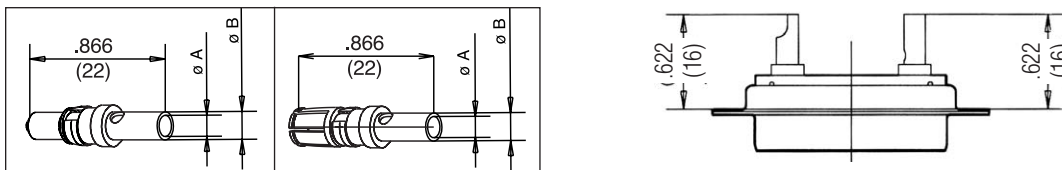
Solder cup version



Plug	P/N	Socket	Current	Dimensions	
				A	B
17DM 53745-8		17DM 53744-7	10 to 20 Amp.	.071 (1.80)	.100 (2.55)
17DM 53745-7		17DM 53744-6	20 to 30 Amp.	.110 (2.80)	.145 (3.70)
17DM 53745-1		17DM 53744-1	30 to 40 Amp.	.189 (4.80)	.220 (5.60)

Trim dimensions: .295 (7.5)

Crimp version

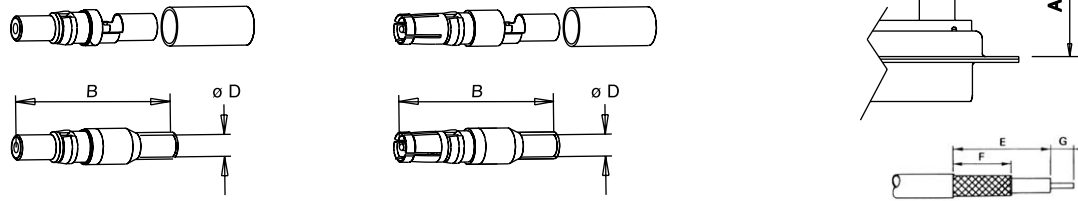


Plug	P/N	Socket	Current	Dimensions	
				A	B
17DM 53745-208		17DM 53744-207	10 to 20 Amp.	.071 (1.80)	.100 (2.55)
17DM 53745-207		17DM 53744-206	20 to 30 Amp.	.110 (2.80)	.145 (3.70)
17DM 53745-201		17DM 53744-201	30 to 40 Amp.	.189 (4.80)	.220 (5.60)

Trim dimensions: .295 (7.5)

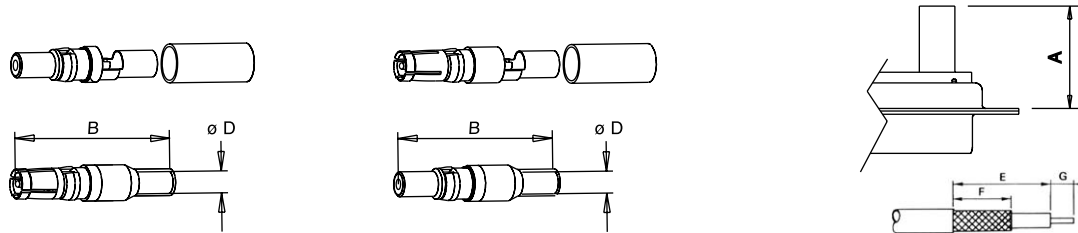
Straight shielded contacts

Crimp ferrule/Inner solder



Type	P/N	Dimensions			Cable - RG	Trim dimensions		
		A Max.	B	D		E	F	G
plug	17DM 53740	.740 (18.8)	.929 (23.6)	.039 (1.0)	178 B/U	.311 (7.9)	.248 (6.3)	.078 (2)
plug	17DM 53740-1	.740 (18.8)	.929 (23.6)	.066 (1.7)	179 B/U 316 B/U	.311 (7.9)	.248 (6.3)	.078 (2)
plug	17DM 53740-3	.846 (21.5)	.929 (23.6)	.110 (2.8)	180 B/U	.374 (9.5)	.311 (7.9)	.078 (2)
plug	17DM 53740-5	.846 (21.5)	.929 (23.6)	.126 (3.2)	58 C/U	.374 (9.5)	.311 (7.9)	.078 (2)
socket	17DM 53742	.740 (18.8)	.929 (23.6)	.039 (1.0)	178 B/U	.311 (7.9)	.248 (6.3)	.078 (2)
socket	17DM 53742-1	.740 (18.8)	.929 (23.6)	.066 (1.7)	179 B/U 316 B/U	.311 (7.9)	.248 (6.3)	.078 (2)
socket	17DM 53742-3	.846 (21.5)	.929 (23.6)	.110 (2.8)	180 B/U	.374 (9.5)	.311 (7.9)	.078 (2)
socket	17DM 53742-5	.846 (21.5)	.929 (23.6)	.126 (3.2)	58 C/U	.374 (9.5)	.311 (7.9)	.078 (2)

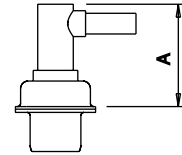
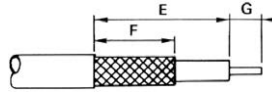
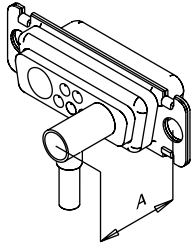
Ferrule and inner solder



Type	P/N	Dimensions			Cable - RG	Trim dimensions		
		A Max.	B	D		E	F	G
short plug	17DM 53740-5000	.669 (17.0)	.858 (21.8)	.039 (1.0)	178 B/U	.311 (7.9)	.248 (6.3)	.078 (2)
plug	17DM 53740-5001	.740 (18.8)	.929 (23.6)	.066 (1.7)	179 B/U 316 B/U	.311 (7.9)	.248 (6.3)	.078 (2)
plug	17DM 53740-5002	.846 (21.5)	1.035 (26.3)	.110 (2.8)	180 B/U	.374 (9.5)	.311 (7.9)	.078 (2)
plug	17DM 53740-5005	.846 (21.5)	1.035 (26.3)	.126 (3.2)	58 C/U	.374 (9.5)	.311 (7.9)	.078 (2)
plug	17DM 53740-5008	.740 (18.8)	.929 (23.6)	.039 (1.0)	178 B/U	.311 (7.9)	.248 (6.3)	.078 (2)
short socket	17DM 53742-5000	.669 (17.0)	.858 (21.8)	.039 (1.0)	178 B/U	.311 (7.9)	.248 (6.3)	.078 (2)
socket	17DM 53742-5001	.740 (18.8)	.929 (23.6)	.066 (1.7)	179 B/U 316 B/U	.311 (7.9)	.248 (6.3)	.078 (2)
socket	17DM 53742-5002	.846 (21.5)	1.035 (26.3)	.110 (2.8)	180 B/U	.374 (9.5)	.311 (7.9)	.078 (2)
socket	17DM 53742-5004	.846 (21.5)	1.035 (26.3)	.126 (3.2)	58 C/U	.374 (9.5)	.311 (7.9)	.078 (2)
socket	17DM 53742-5006	.740 (18.8)	.929 (23.6)	.039 (1.0)	178 B/U	.311 (7.9)	.248 (6.3)	.078 (2)

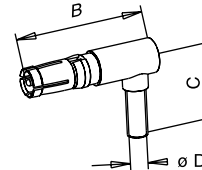
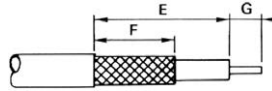
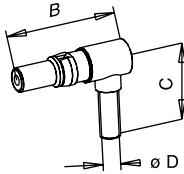
Right angled shielded contact

Crimp ferrule/Inner solder



Type	P/N	Dimensions				Cable - RG	Trim dimensions		
		A Max.	B	C	D		E	F	G
plug	17DM 53741	.531 (13.5)	.732 (18.6)	.492 (12.5)	.039 (1.0)	178 B/U	.374 (9.5)	.232 (5.9)	.062 (1.6)
plug	17DM 53741-1	.531 (13.5)	.732 (18.6)	.492 (12.5)	.066 (1.7)	179 B/U 316 B/U	.374 (9.5)	.232 (5.9)	.062 (1.6)
plug	17DM 53741-3	.531 (13.5)	.732 (18.6)	.602 (15.3)	.110 (2.8)	180 B/U	.421 (10.7)	.311 (7.9)	.094 (2.4)
plug	17DM 53741-4	.531 (13.5)	.732 (18.6)	.602 (15.3)	.126 (3.2)	58 C/U	.421 (10.7)	.311 (7.9)	.094 (2.4)
socket	17DM 53743-2	.531 (13.5)	.732 (18.6)	.492 (12.5)	.039 (1.0)	178 B/U	.374 (9.5)	.232 (5.9)	.062 (1.6)
socket	17DM 53743-3	.531 (13.5)	.732 (18.6)	.492 (12.5)	.066 (1.7)	179 B/U 316 B/U	.374 (9.5)	.232 (5.9)	.062 (1.6)
socket	17DM 53743-5	.531 (13.5)	.732 (18.6)	.602 (15.3)	.110 (2.8)	180 B/U	.421 (10.7)	.311 (7.9)	.094 (2.4)
socket	17DM 53743-6	.531 (13.5)	.732 (18.6)	.602 (15.3)	.126 (3.2)	58 C/U	.421 (10.7)	.311 (7.9)	.094 (2.4)

Ferrule and inner solder



Type	P/N	Dimensions				Cable - RG	Trim dimensions		
		A Max.	B	C	D		E	F	G
plug	17DM 53741-5000	.531 (13.5)	.732 (18.6)	.492 (12.5)	.039 (1.0)	178 B/U	.374 (9.5)	.232 (5.9)	.062 (1.6)
plug	17DM 53741-5001	.531 (13.5)	.732 (18.6)	.492 (12.5)	.066 (1.7)	179 B/U 316 B/U	.374 (9.5)	.232 (5.9)	.062 (1.6)
plug	17DM 53741-5003	.531 (13.5)	.732 (18.6)	13.9 (.547)	.110 (2.8)	180 B/U	.421 (10.7)	.311 (7.9)	.094 (2.4)
plug	17DM 53741-5004	.531 (13.5)	.732 (18.6)	13.9 (.547)	.126 (3.2)	58 C/U	.421 (10.7)	.311 (7.9)	.094 (2.4)
socket	17DM 53743-5000	.531 (13.5)	.732 (18.6)	.492 (12.5)	.039 (1.0)	178 B/U	.374 (9.5)	.232 (5.9)	.062 (1.6)
socket	17DM 53743-5001	.531 (13.5)	.732 (18.6)	.492 (12.5)	.066 (1.7)	179 B/U 316 B/U	.374 (9.5)	.232 (5.9)	.062 (1.6)
socket	17DM 53743-5003	.531 (13.5)	.732 (18.6)	13.9 (.547)	.110 (2.8)	180 B/U	.421 (10.7)	.311 (7.9)	.094 (2.4)
socket	17DM 53743-5004	.531 (13.5)	.732 (18.6)	13.9 (.547)	.126 (3.2)	58 C/U	.421 (10.7)	.311 (7.9)	.094 (2.4)

Crimping tool

Hand crimp tool

227-0944 (without dies) (M 22 520/5-01)



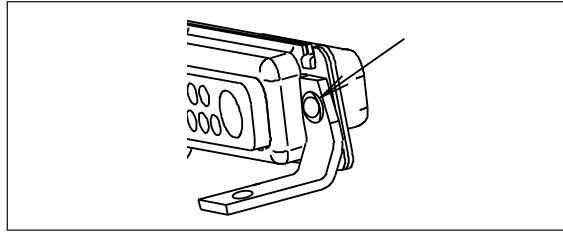
RG cables	MIL reference	Amphenol P/N	dim. between 2 flat surface cavity	
			A	B
RG 58 C/U	M 22 520/5-05	227 1221-05	.213 (5.41)	-
RG 178 B/U	M 22 520/5-03	227 1221-03	-	.105 (2.67)
RG 179 B/U	M 22 520/5-03	227 1221-03	.128 (3.25)	-
RG 180 B/U	M 22 520/5-05	227 1221-05	-	.178 (4.52)

MOUNTING OPTIONS

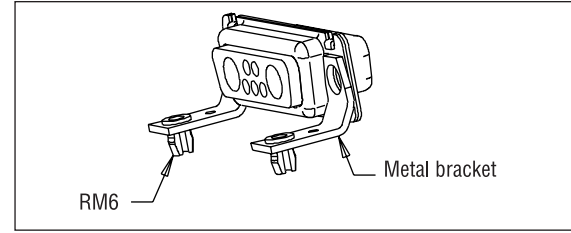
Right angle version

Connectors come equipped with metal brackets

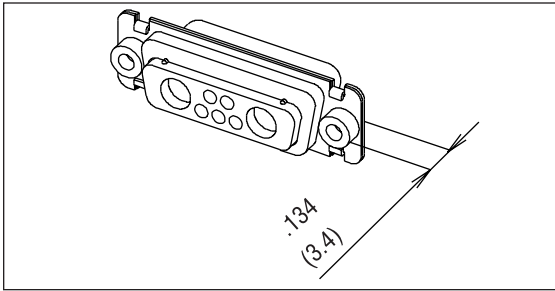
Blank: .122 (3.10) dia mounting hole



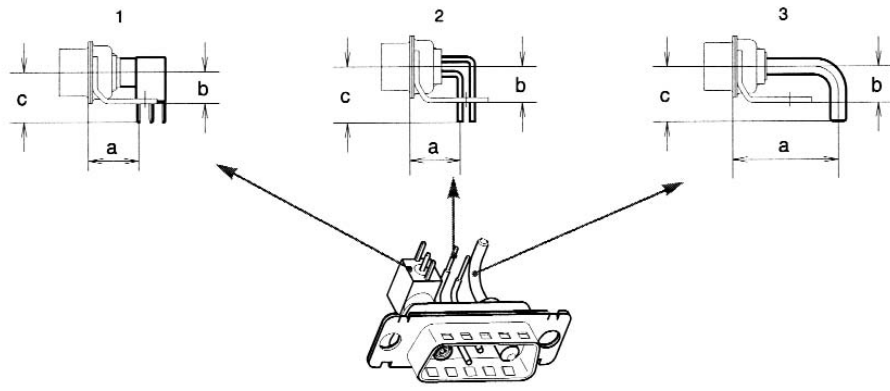
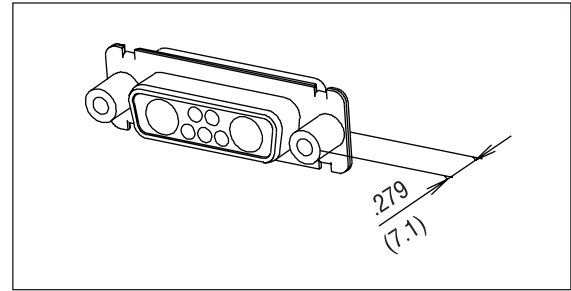
RM6: metal brackets + boardlock



4R: 4.40 rear nut
3R: M3 rear nut



4F: 4.40 front female screwlock
3F: M3 front female screwlock



CONTACT DIMENSIONS

Signal tail .0236 (0.6) dia.
.063 (1.6) PCB
For other PCB thickness: consult factory.

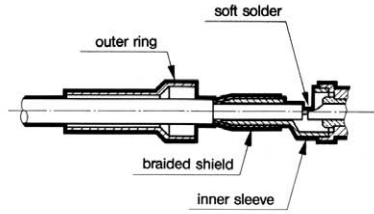
Description	Drawing	Europe HE 5 pattern = European height European footprint pitch between 2 rows: .100 (2.54)			Mix Mixed pattern = MIL height European footprint pitch between 2 rows: .100 (2.54)			MIL MIL height MIL footprint pitch between 2 rows: .112 (2.84)		
		a	b	c	a	b	c	a	b	c
Shielded	1	-	-	-	.406 (10.30)	.248 (6.30)	.394 (10.00)	.406 (10.30)	.248 (6.30)	.394 (10.00)
Signal	2	.406 (10.30)	.283 (7.20)	.441 (11.20)	.406 (10.30)	.248 (6.30)	.374 (9.50)	.319 (8.10)	.248 (6.30)	.374 (9.50)
Power .0787 (2.0) tail dia.	3	.456 (11.57)	.283 (7.20)	.413 (10.50)	.456 (11.57)	.248 (6.30)	.374 (9.50)	.375 (9.52)	.248 (6.30)	.374 (9.50)
Power .126 (3.2) tail dia.	3	.845 (21.46)	.283 (7.20)	.413 (10.50)	.845 (21.46)	.248 (6.30)	.374 (9.50)	.845 (21.46)	.248 (6.30)	.374 (9.50)

NOTE: Dimensions above correspond to sizes E to C. Consult factory for size D connectors. Connector comes equipped with contacts and brackets.

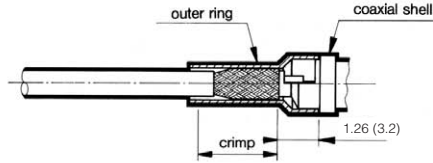
INCHES (MM)

Cabling instructions for shielded contacts

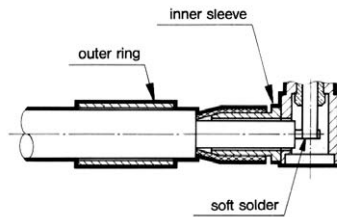
Straight crimp shielded contacts:



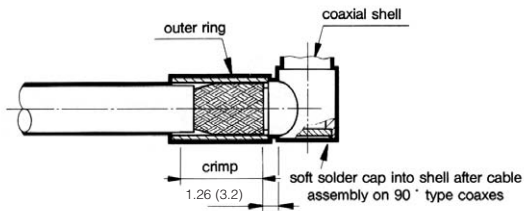
**inner solder contact
outer crimp contact**



Right angle crimp shielded contacts:



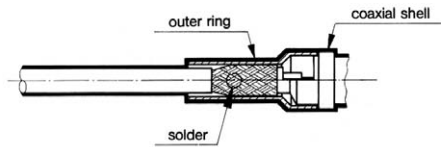
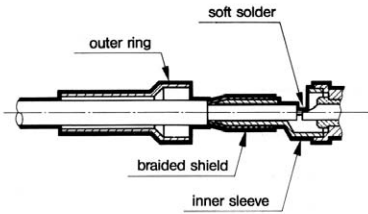
**inner solder contact
outer crimp contact**



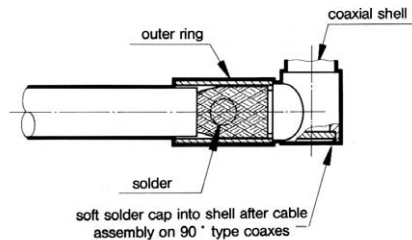
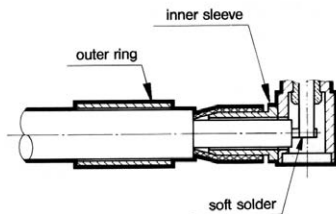
ASSEMBLY METHOD

1. Slide the outer ring over the cable jacket.
Trim the cable according to the recommended dimensions.
2. Insert the cable dielectric and the center conductor inside the inner sleeve.
3. Solder the central conductor to the shielded center contacts.
4. Slide the outer ring towards the inner sleeve and recover the braid.
5. Using crimp hand tool equipped with the appropriate dies, crimp in the area defined.

Solder straight shielded contacts

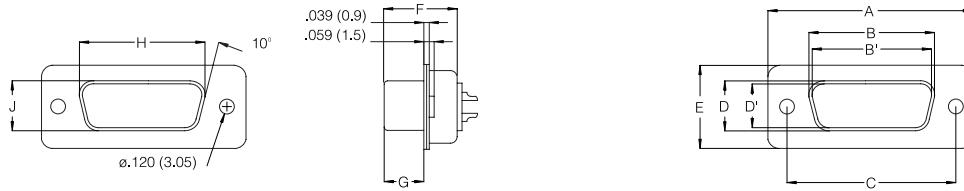


Solder right angle shielded contacts



ASSEMBLY METHOD

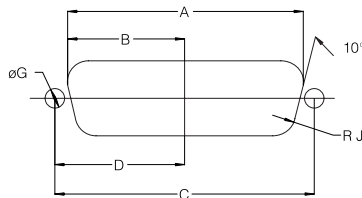
1. Slide the outer ring over the cable jacket.
Trim the cable according to the recommended dimensions.
2. Insert the cable dielectric and the center conductor inside the inner sleeve.
3. Solder the central conductor to the shielded center contacts.
4. Slide the outer ring towards the inner sleeve and recover the braid.
5. Solder by introducing metal through the outer ring hole.



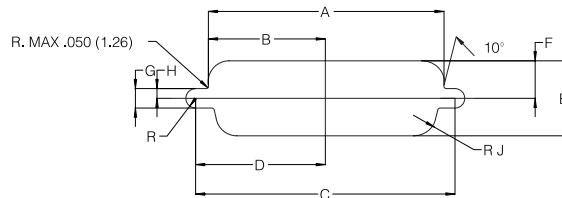
Shell Size	Contact P: Pin S: Socket	A ±.010 (±0.25)	B 0/- .008 (0/-0.20)	B' +.008/0 (+0.20/0)	C ±.004 (±0.10)	D 0/- .010 (0/-0.25)	D' +.010/0 (+0.25/0)	E ±.008 (±0.20)	F +.002/- .008 (+0.05/-0.20)	F' +.004/- .008 (+0.10/-0.20)	G +.004/.008 (+0.10/-0.20)	G' ±.004 (±0.10)	H +.004/- .016 (+0.10/-0.40)	J 0/- .020 (0/-0.50)
E	P	1.209 (30.7)		.661 (16.8)	.984 (25.0)		.323 (8.2)	.488 (12.4)		.429 (10.9)		.232 (5.9)	.764 (19.4)	.433 (11.0)
	S		.646 (16.4)			.315 (8.0)			.437 (11.1)		.244 (6.2)			
A	P	1.535 (39.0)		.988 (25.1)	1.311 (33.3)		.323 (8.2)	.488 (12.4)		.429 (10.9)		.232 (5.9)	1.091 (27.7)	.433 (11.0)
	S		.976 (24.8)			.315 (8.0)			.437 (11.1)		.244 (6.2)			
B	P	2.083 (52.9)		1.528 (38.8)	1.850 (47.0)		.323 (8.2)	.488 (12.4)		.433 (11.0)		.228 (5.8)	1.630 (41.4)	.433 (11.0)
	S		1.513 (38.5)			.315 (8.0)			.437 (11.1)		.244 (6.2)			
C	P	2.724 (69.2)		2.177 (55.3)	2.500 (63.5)		.323 (8.2)	.488 (12.4)		.433 (11.0)		.228 (5.8)	2.280 (57.9)	.433 (11.0)
	S		2.161 (54.9)			.315 (8.0)			.437 (11.1)		.244 (6.2)			
D	P	2.630 (66.8)		2.075 (52.7)	2.406 (61.1)		.433 (11.0)	.598 (15.2)		.433 (11.0)		.228 (5.8)	2.185 (55.5)	.543 (13.8)
	S		2.067 (52.5)			.429 (10.9)			.437 (11.1)		.244 (6.2)			

Panel Cutouts

Optimal cutout for rear mounting



Standard cutout

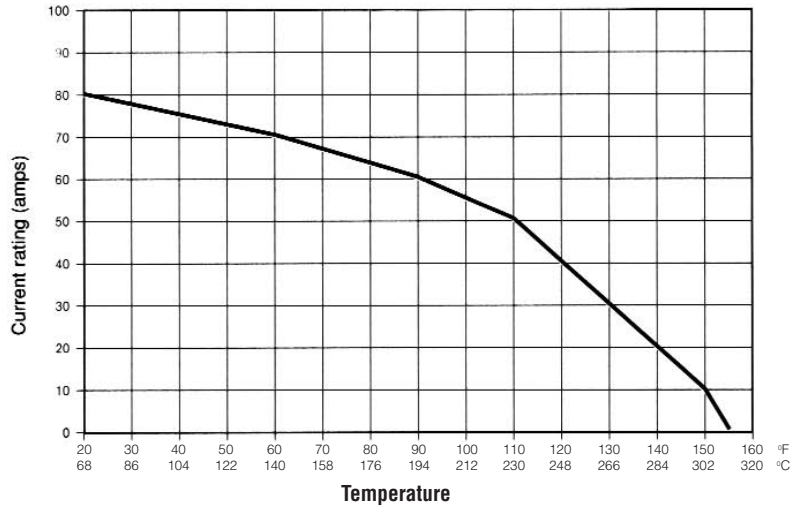


Shell Size	Mounting Method	A ±.008 (±0.20)	B ±.008 (±0.20)	C ±.008 (±0.20)	D ±.008 (±0.20)	E ±.008 (±0.20)	F ±.008 (±0.20)	G ±.008 (±0.20)	H ±.008 (±0.20)	J ±.008 (±0.20)
E	Front	.874 (22.2)	.437 (11.1)	.984 (25.0)	.492 (12.5)	.512 (13.0)	.256 (6.5)	.118 (3.0)	.059 (1.5)	.083 (2.1)
	Rear	.807 (20.5)	.402 (10.2)			.449 (11.4)	.224 (5.7)			.134 (3.4)
A	Front	1.201 (30.5)	.602 (15.3)	1.311 (33.3)	.657 (16.7)	.512 (13.0)	.256 (6.5)	.118 (3.0)	.059 (1.5)	.083 (2.1)
	Rear	1.134 (28.8)	.567 (14.4)			.449 (11.4)	.224 (5.7)			.134 (3.4)
B	Front	1.744 (44.3)	.870 (22.1)	1.850 (47.0)	.925 (23.5)	.512 (13.0)	.256 (6.5)	.118 (3.0)	.059 (1.5)	.083 (2.1)
	Rear	1.673 (42.5)	.839 (21.3)			.449 (11.4)	.224 (5.7)			.134 (3.4)
C	Front	2.390 (60.7)	1.197 (30.4)	2.500 (63.5)	1.248 (31.7)	.512 (13.0)	.256 (6.5)	.118 (3.0)	.059 (1.5)	.083 (2.1)
	Rear	2.327 (59.1)	1.161 (29.5)			.449 (11.4)	.224 (5.7)			.134 (3.4)
D	Front	2.295 (58.3)	1.150 (29.2)	2.406 (61.1)	1.205 (30.6)	.622 (15.8)	.311 (7.9)	.118 (3.0)	.059 (1.5)	.083 (2.1)
	Rear	2.217 (56.3)	1.110 (28.2)			.555 (14.1)	.280 (7.1)			.134 (3.4)

INCHES (MM)

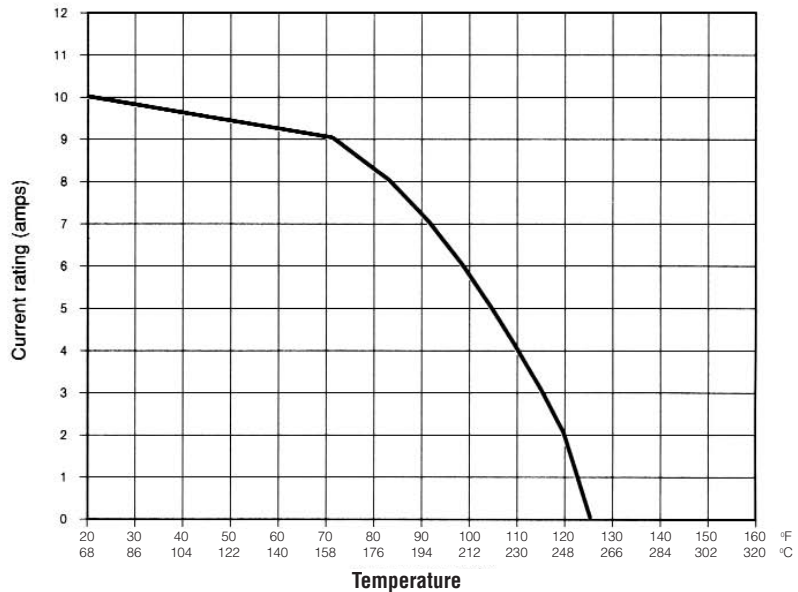
**DERATING CURVE FOR HIGH POWER CONTACTS (Size 8)
CURRENT RATING AND OPERATING TEMPERATURE**

Tested according to C E I 512-3, test 5b

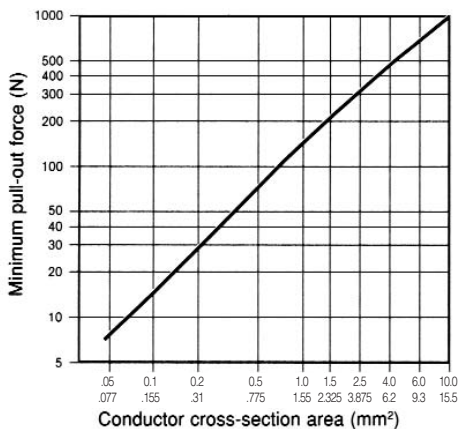


**DERATING CURVE FOR SIGNAL CONTACTS (Size 20)
CURRENT RATING AND OPERATING TEMPERATURE**

Tested according to C E I 512-3, test 5b



WIRE RETENTION FORCE ON CRIMP CONTACTS



BREAKDOWN VOLTAGE

The following chart indicates the voltage rating (AC - Vrms - 50 Hz) and breakdown voltage for an operating temperature of 77°F (25°C) under 50% relative humidity.

Voltages are applied to male and female connectors mated or unmated.

Contact Types	Sea Level		19,685 (6,000 m)		68,898 (21,000 m)	
	Excitation	Test	Excitation	Test	Excitation	Test
Coax	1300 V	900 V	900 V	600 V	400 V	300 V
Power	1500 V	1000 V	1000 V	600 V	500 V	300 V
Voltage	3800 V	2800 V	2300 V	1700 V	650 V	450 V

Digital Video Interface

SPECIFICATIONS

MATERIALS

Shell	Zinc Alloy #3, Finish: 100µ"(2.54µm) min. of nickel
Boardlock	SPCC, 100µ"(2.54µm) min. of tin/lead
Insulator	P.B.T., 30% glass-filled, UL94V-0 rated
Hex Screwlock	Brass, 50µ"(1.27µm) min. of nickel
Contact	Phosphor bronze C521 OR-H per QQ-B-750
Mating Area	Selective gold, including gold flash, 10µ"(0.25µm) of gold, 15µ"(0.4µm) of gold and 30µ"(0.76µm) of gold
Termination Area	100µ"(2.54µm) min. of tin-lead
Underplate	50µ"(1.27µm) min. nickel
Ground Blade	Phosphor bronze C5191 R-H

MECHANICAL SPECIFICATION

Mating and Unmating Force

Mating force	9.92 lb. (4.5 kg.) per connector maximum
Unmating force	2.20 lb. (1 kg.) minimum, 8.82 lb. (4 kg.) maximum per connector

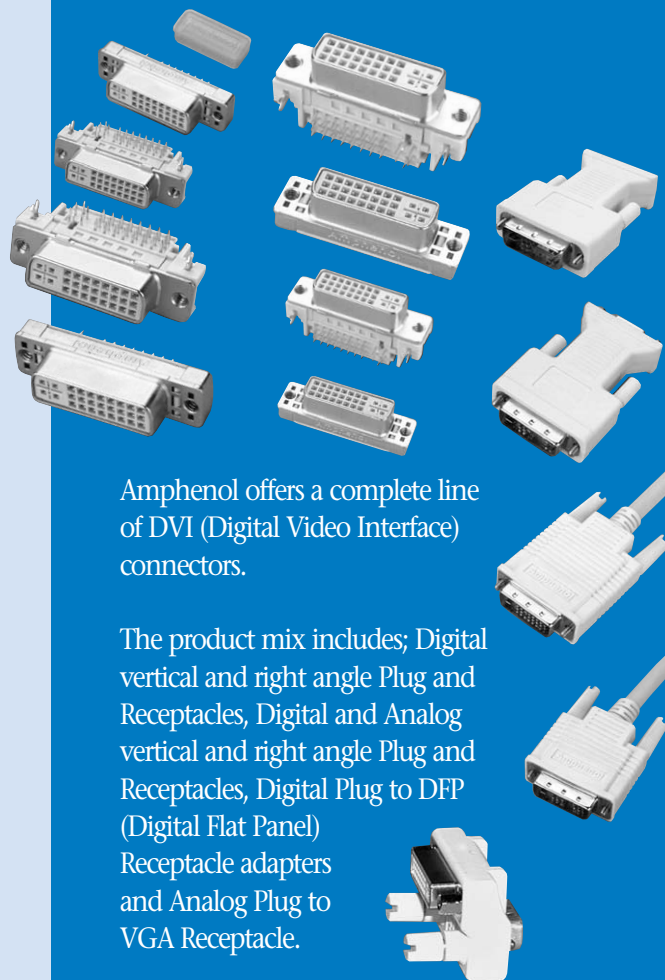
Mechanical Shock

Condition	EIA-364-27, condition A. (Specified pulse). No discontinuity at 1µs or longer (each contact) when continuity is tested per EIA-364-46.
-----------	---

Durability

Condition	EIA-364-09, mated and unmated connectors for 100 cycles at a rate of 100 +/-50 cycles per hour. There shall be no physical damage and shall meet requirements of subsequent tests.
-----------	--

CONNECTORS



Amphenol offers a complete line of DVI (Digital Video Interface) connectors.

The product mix includes; Digital vertical and right angle Plug and Receptacles, Digital and Analog vertical and right angle Plug and Receptacles, Digital Plug to DFP (Digital Flat Panel) Receptacle adapters and Analog Plug to VGA Receptacle.

G12 - X - X - X - X - X - X

<p>DVI Connectors Digital Video Interface, PCB Mount & Receptacle</p> <p>Connector Style A: Right Angle PCB Mount B: Straight PCB Mount</p> <p>Signal Interface Option 1: Analog & Digital 2: Digital only</p> <p>Contact Finish 0: Gold Flash 2: 20µ" (0.51µm) Gold 1: 10µ" (0.25µm) Gold 3: 30µ" (0.76µm) Gold</p>	<p>Variation Code Blank: Standard</p> <p>Flange Mount Options 0: Without Hex Screwlock 1: With #4-40UNC Hex Screwlock Bulk-packed 2: With #4-40UNC Hex Screwlock Installed</p> <p>Board Mount Option 1: Arrowhead Boardlock (For Straight PCB Mount Versions only) 2: Grounding Posts and Locators 3: Arrowhead Boardlock (ø 0.075" (1.93) and locators 4: Arrowhead Boardlock (ø 0.124" (3.17) and locators</p>
--	---

G12C - X - X - X - X

<p>DVI Connectors Digital Video Interface, Cable Mount Plug</p> <p>Signal Interface Option 1: Analog & Digital, 24 Position 2: Analog & Digital, 18 Position 3: Analog 12 Position 4: Digital 24 Position 5: Digital 18 Position</p>	<p>Variation Code Blank: Standard 1: With EMI shield Can (GT27C010) 2: With EMI shield Can (GT27C010) Screw (GT127C008)</p> <p>Front: Shell Finish 1: Nickel Plated 2: Tin Plated</p> <p>Contact Finish 0: Gold Flash 2: 10µ" (0.25µm) Gold 4: 30µ" (0.76µm) Gold 1: 5µ" (0.13µm) Gold 3: 20µ" (0.51µm) Gold</p>
--	---



For Sea, Air or Land, these connectors are SEALED! Amphenol's SD308 Sealed D-Subminiature Connectors are available in the full range of standard density and hi-density insert arrangements, pin and socket contacts. These connectors are supplied with fixed screw machine contacts and are available in Solder Cup, Straight PCB, and Right Angle PCB terminations.

- Ruggedized Computers and Peripheral Equipment
- Industrial Controllers
- 21st Century Soldier
- Ideal For Retrofit Applications Or Late Design-In

SPECIFICATIONS:

PRODUCT FEATURES

- One piece machined Aluminum Shell
- Gold Plated Screw Machine Contacts
- Hi Grade Thermoplastic Inserts -67°F to +257°F (-55°C to +125°C)
- Integrated Blind Panel Mounts
- Supplied with Conductive Panel Seal Gasket

MATERIALS AND PLATINGS

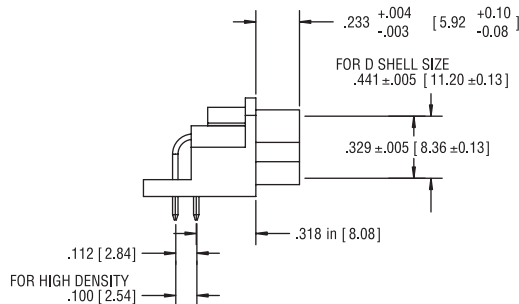
Shells	Machined aluminum alloy, tin plated
Inserts	High temperature resistant polyethersulfone per mil-p-46185
Contacts	Copper alloy, 20µ" (0.51µm) gold plated over nickel.
Seal	Silicone elastomer with nickel plated graphite flake

ELECTRICAL DATA

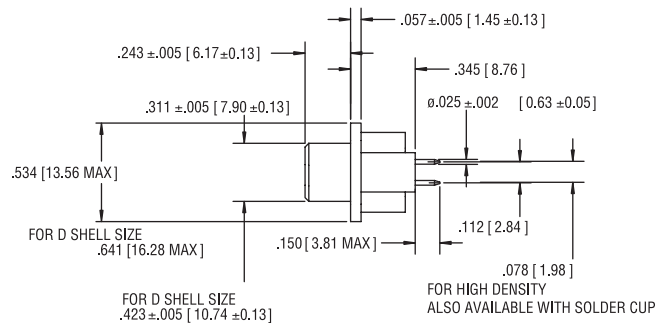
Current Rating	5A
Insulation Resistance	5 GIGOHM @ 500 VDC
Working Voltage	120 VAC
D.W.V.	1,000 VAC pin to pin & pin to shell

CLIMATIC DATA

Operating Temperature	-67°F to +257°F (-55°C to +125°C)
------------------------------	-----------------------------------



PLUG - SIDE VIEW



RECEPTACLE - SIDE VIEW

SD308 - E09 - S - A - 1 - 000

Series Designation

Shell Size & Number Of Contacts

STD Density E09, A15, B25, C37, D50

HIGH Density E15, A26, B44, C62, D78, 6106

Contact Type

S=Socket Contact P= Pin Contact

000 = Standard part

other deviations as required

Mounting Type

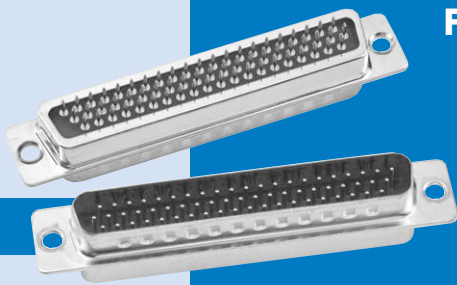
1 = 4-40 Blind Nut

2 = 4-40 Blind Nut with R/A Mounting Bracket

Termination Style

A = Right Angle pcb B = Vertical pcb

C = Solder Cup



SPECIFICATIONS:

DESCRIPTION

- Hi reliability filtering in multi row arrangements
- Stamped and Formed shells
- Screw Machine Contacts and Hi Reliability inserts
- Available in all Hi-Density insert patterns

MATERIALS AND PLATINGS

Shells	Stamped steel shell, tin plated
Inserts	High temperature resistant polyethersulfone per MIL-P-46185
Contacts	Machined copper alloy, 20µ" (0.51µm) gold plated over nickel
Capacitor	Barium titanate ceramic array

ELECTRICAL DATA

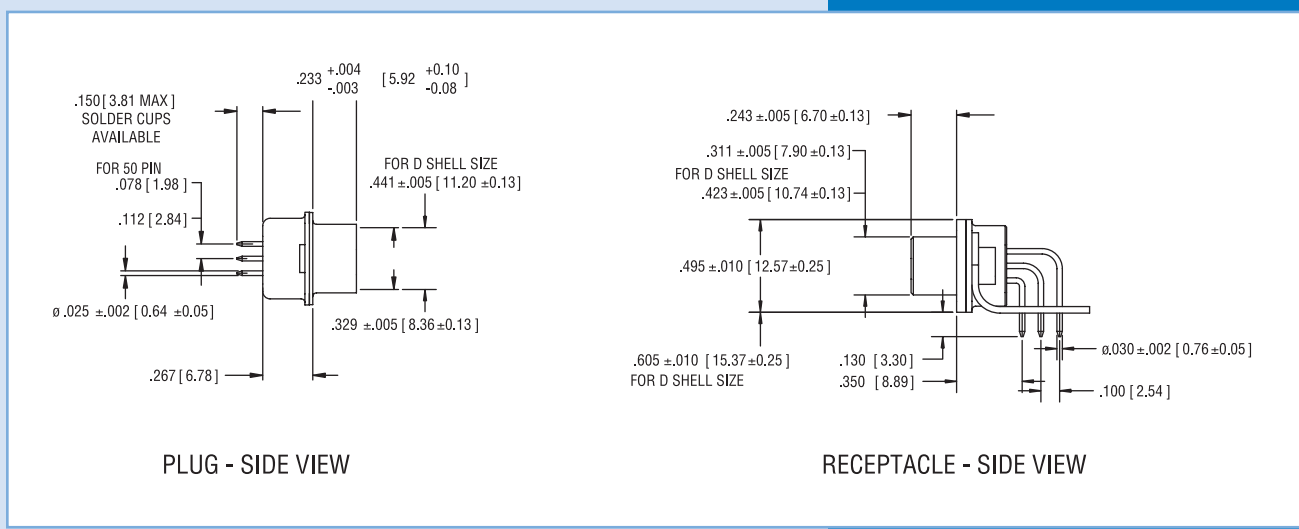
Current Rating	5 A
Insulation Resistance	5 GIGOHM @ 500 VDC
Working Voltage	200 VDC
D.W.V.	500 VDC pin to pin & pin to shell
Capacitance	+/- 20% (see P/N description)

CLIMATIC DATA

Operating Temperature	-67°F to +257°F (-55°C to +125°C)
------------------------------	-----------------------------------

For 50 position and all high density versions. Amphenol's FD308 Filtered D-Subminiature connectors are available in the full range of hi-density insert arrangements, pin and socket contacts, plus the 50 position standard density. These connectors are supplied with fixed screw machine contacts and are available in Straight and Right Angle PCB terminations and Solder Cup.

- Computers and Peripheral Equipment
- Avionics Systems Ideal For Retrofit Applications Or Late Design-In



FD308 - B44 - S - A - 1 - A2 - 000

Series Designation	FD308	000 = Standard part other deviations as required
Size & Number Of Contacts	B44	Capacitance Code
STD Density E09, A15, B25, C37, D50		A2 = 200 PF 02 = 2000 PF
High Density E15, A26, B44, C62, D78, 6104		A4 = 400 PF 05 = 5000 PF
Contact Type	S	01 = 1000 PF
S = Socket Contact P = Pin Contact		Mounting Type
Termination Style	A	1 = 4-40 Clinch Nut
A = Right Angle pcb		2 = Ø.120 (3.05) Hole
B = Vertical pcb		3 = R/A Mounting Bracket
C = Solder Cup		4 = 4-40 Clinch Nut with R/A Mounting Bracket

ORDERING INFORMATION - IDC

FCC17 - E09 - S - W - 4 - 8 - 0 - G

Series Designation

Size and Configuration

15 & 25 Size Consult Factory.

Connector Type

S: Socket P: Pin Consult Factory.

Termination Type

W: IDC *

Mounting

2: .120 (3.05) Diameter Through Hole
4: 4-40 Threaded Inserts
6: M3 Threaded Inserts

Special

G: 50 Micro Inches Gold

Modifier

0: Standard Product
x: Special or Custom Versions

Capacitance Value

D: 50 pF	5: 1,000 pF
0: 180 pF	E: 2,200 pF
F: 330 pF	9: 5,600 pF
1: 470 pF	8: 47,000 pF
4: 820 pF	

Other Capacitance values available.
Consult Factory.

ORDERING INFORMATION - FILTERED PRESS FIT

FCC17 - B25 - S - R - 4 - 8 - 0 - G

Series Designation

Size and Configuration *

Connector Type

S: Socket P: Pin Consult Factory.

Termination Type

R: Press Fit

Mounting

2: .120 (3.05) Diameter Through Hole	5: 4-40 Threaded Standoff
3: 4-40 Self Locking Threaded Insert	6: M3 Threaded Inserts
4: 4-40 Threaded Inserts	E: Code 4 with 4-40 Hex Jack Socket

Special

G: 50 Micro Inches Gold

Modifier

0: Standard Product
x: Special or Custom Versions

Capacitance Value

D: 50 pF	5: 1,000 pF
0: 180 pF	E: 2,200 pF
F: 330 pF	9: 5,600 pF
1: 470 pF	8: 47,000 pF
4: 820 pF	

Other Capacitance values available.
Consult Factory.

ORDERING INFORMATION - STACKED D-SUB

FCC17 - 2 - BP - BS - 4 - 5 - 5 - X

Series Designation

Vertical Mounting Dimension Between Connectors

1 = .625 (15.88)
2 = .750 (19.05)

Upper Connector Configuration (Size and Style)

EP: 9 pin	BP: 25 pin
ES: 9 socket	BS: 25 socket
AP: 15 pin	CP: 37 pin
AS: 15 socket	CS: 37 socket

Lower Connector Configuration

(Size and Style) same as Upper Connector Configuration

Mounting

2: .120 (3.05) Diameter Through Hole on Flanges
4: 4-40 Threaded Inserts on Flanges
E: 4-40 Hex Jack Sockets (supplied loose)

Modifier

0: Standard Product
x: Special or Custom Versions

Lower Connector Filter Capacitance
same as Upper Connector Filter Capacitance Designation

Upper Connector Filter Capacitance

D: 50 pF	5: 1,000 pF
0: 180 pF	E: 2,200 pF
F: 330 pF	7: 1,200 pF
1: 470 pF	9: 5,600 pF
4: 820 pF	8: 47,000 pF

* For Additional Mounting Options and Filter Capacitance - Consult Factory

ORDERING INFORMATION - D-SUB

FCC17 - B25 - S - C - 4 - 4 - 0 - G

Series Designation

Size

E09, A15, B25, C37

Connector type

A - Adapter P - Pin S - Socket

Termination Type

A - Right Angle PC Tail, .318 (8.08) Footprint
 B - Right Angle PC Tail, .405 (10.29) Footprint
 C - Right Angle PC Tail, .590 (14.99) Footprint
 D - Pin/Socket Adapter
 E - Vertical Mount PC Tail
 M - Solder Cup
 N - Vertical Mount PC Tail - Long Body

Mounting options*

A: 4-40 Threaded PC Tail Standoffs with Boardlock, Vertical Mount Only
 E: 4-40 Hex Jack Sockets (supplied loose)
 F: 4-40 Round Fixed Jack Sockets
 2: .120 (3.05) diameter Through hole
 3: Self-Locking 4-40 Threaded Inserts
 4: 4-40 Threaded Inserts (Standard)
 5: 4-40 Threaded Stand-Offs, Vertical Mount
 6: M3 Threaded inserts

* For Additional Mounting Options and Filter Capacitance - Consult Factory

Specials

No Digit: Standard 15µ" (0.38µm) gold
 G: 50µ" (1.27µm) gold
 K: 30µ" (0.76µm) gold
 L: Standard Connector with added ferrite block

Modifier

0 = Standard Product (Boardlocks on Right Angle D-Subs)
 B = Metal Mounting Brackets, for Right Angle D-Subs
 D = .315 (8.00) to Boardlock for .590 (14.99) footprint
 E = Plastic Bracket - No Boardlock
 F = No Boardlock, No plastic or metal Bracket - Alignment Strip Only
 X = Specials or Custom Versions

Filter Capacitance (pF)*

D: 50 pF	5: 1,000 pF
B: 100 pF	7: 1,200 pF
0: 180 pF	E: 2,200 pF
F: 330 pF	9: 5,600 pF
1: 470 pF	8: 47,000 pF
4: 820 pF	

ORDERING INFORMATION - COMBO D-SUB

FCC17 - A - 3W3 - P - M - 4 - 5 - 0 - G

Series Designation

Shell Size

A, B, C, D, E

Arrangement

Connector type

A = Adapter, P = Pin, S = Socket

Termination type

D = Pin/Socket Adapter
 E = Power PC Tail - 40A - .126 (3.20) Dia., .175 (4.44) Lg.
 K = Power Solder Cup - 10A - Wire Size 16
 L = Power Solder Cup - 20A - Wire Size 12
 M = Power Solder Cup - 40A - Wire Size 8
 R = Power Press Fit - 20A - .145 (3.68) Lg. - .126 (3.20) Dia. Hole

Mounting Options

2 = .120 (3.05) dia. mounting holes
 3 = 4-40 Threads Self locking
 4 = 4-40 Threads
 5 = 4-40 Standoffs - PC tail only
 6 = M3 Threads
 E = 4-40 Hex Jack Sockets (supplied loose)

Plating Option

Blank = Standard 30µ" (0.76µm) gold
 G = 50µ" (1.27µm) gold

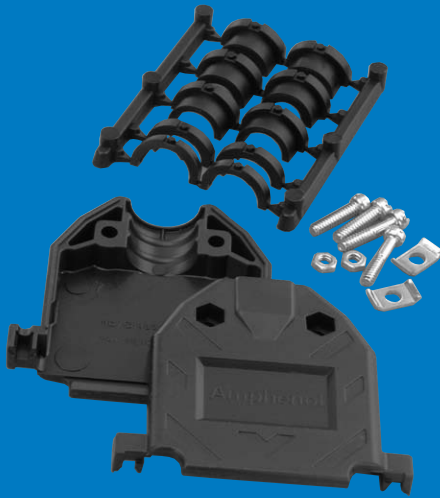
Modifier

0 = Standard
 X = Specials or Custom versions (Consult Factory)

Filter Capacitance (pF)

D: 50 pF	5: 1000 pF
B: 100 pF	7: 1200 pF
o: 180 pF	E: 2200 pF
f: 330 pF	9: 5600 pF
l: 470 pF	8: 47000 pF
4: 820 pF	

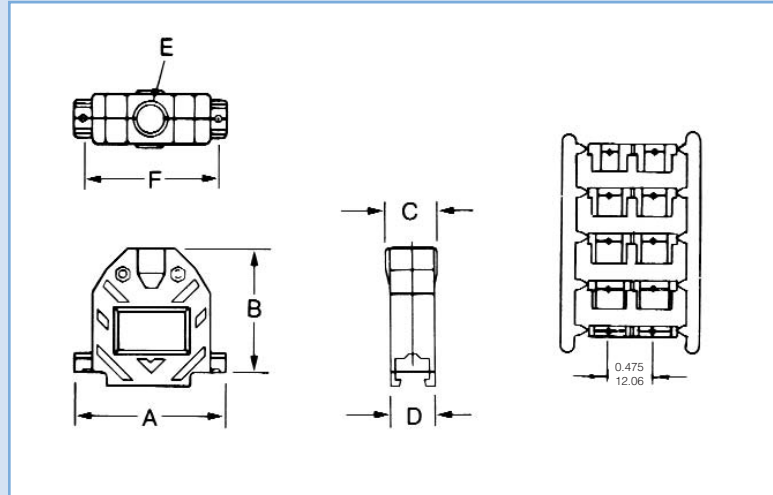
* For Additional Mounting Options and Filter Capacitance - Consult Factory



Amphenol's black plastic backshell accommodates most standard and high-density D-Subminiature connectors and is appropriate for most cable assemblies. This version is economical and highly durable. The split-grommet insert provides cable strain relief while making it easy to assemble.

SPECIFICATIONS:

Housing Material: Styrene (UL 94 VO)
Grommet Material: Polypropylene
Mounting Hardware: Steel, clear zinc finish



DIMENSIONS AND ORDERING INFORMATION

Shell Size	Standard # of Contacts	Hi-Density # of Contacts	Part #	Dimensions						Cable Diameter Range	
				A	B	C	D	E	F	Minimum	Maximum
E	9	15	17-1724-1	1.217 (30.91)	1.547 (39.29)	0.640 (16.26)	0.640 (16.26)	0.400 (10.16)	0.984 (24.99)	0.210 (5.33)	0.350 (8.89)
A	15	26	17-1725-1	1.545 (39.24)	1.505 (38.23)	0.640 (16.26)	0.640 (16.26)	0.400 (10.16)	1.312 (33.32)	0.210 (5.33)	0.350 (8.89)
B	25	44	17-1726-1	2.090 (53.08)	1.655 (42.04)	0.710 (18.03)	0.640 (16.26)	0.522 (13.26)	1.857 (47.17)	0.230 (5.84)	0.450 (11.43)
C	37	62	17-1727-1	2.734 (69.44)	1.830 (46.48)	0.906 (23.01)	0.640 (16.26)	0.726 (18.44)	2.500 (63.50)	0.350 (8.89)	0.640 (16.26)
D	50	78	17-1728-1	2.645 (67.18)	1.855 (47.12)	0.940 (23.88)	0.770 (19.56)	0.726 (18.44)	2.406 (61.11)	0.350 (8.89)	0.640 (16.26)

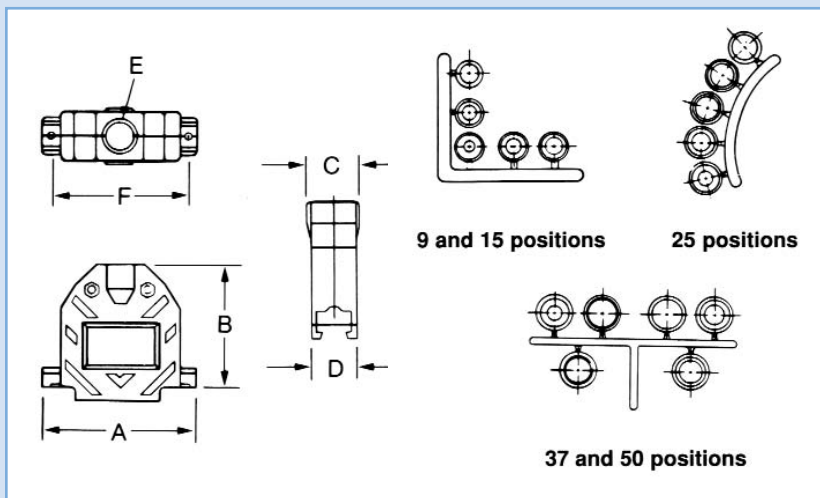
Plated Plastic Backshell

SPECIFICATIONS:

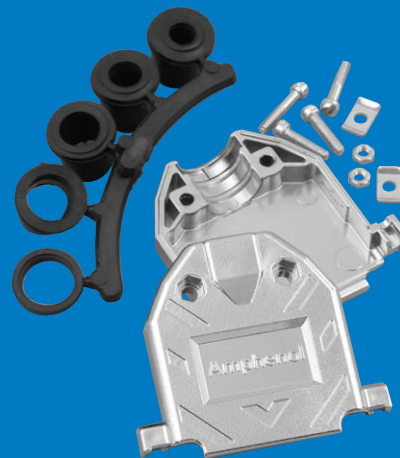
Housing Material:	ABS Polymer
Plating:	Nickel over copper
Grommet Material:	PVC (UL 94 VO)
Mounting Hardware:	Steel, clear zinc finish

ASSEMBLY INSTRUCTIONS

1. Select the tightest insert that will fit over the cable and thread the cable through it, placing the end with the smaller O.D. (the end without the washer) towards the connector.
2. Cut the jacket, fold the shielding back over the outside of the insert and cut it just short of the washer.
3. Install jackscrews and connector.
4. Place the washer in the outermost depression in the exit area of the hood and screw the cover closed.



ACCESSORIES



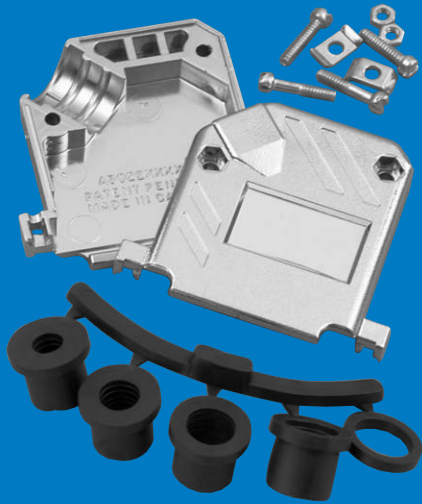
Amphenol's plated plastic backshell accommodates most standard and high-density D-Subminiature connectors and is appropriate for cable assemblies requiring compliance to FCC 20780. This version is highly durable and provides EMI/RFI protection. The rubber grommet compression insert forces the cable's shielding against the inside of the cable exit area, assuring shielding.

DIMENSIONS AND ORDERING INFORMATION

Shell Size	Standard # of Contacts	Hi-Density # of Contacts	Part #	Dimensions						Cable Diameter Range	
				A	B	C	D	E	F	Minimum	Maximum
E	9	15	17-1724-2	1.217 (30.91)	1.547 (39.29)	0.640 (16.26)	0.640 (16.26)	0.400 (10.16)	0.984 (24.99)	0.210 (5.33)	0.320 (8.13)
A	15	26	17-1725-2	1.545 (39.24)	1.505 (38.23)	0.640 (16.26)	0.640 (16.26)	0.400 (10.16)	1.312 (33.32)	0.210 (5.33)	0.320 (8.13)
B	25	44	17-1726-2	2.000 (50.8)	1.655 (42.04)	0.710 (18.03)	0.640 (16.26)	0.522 (13.26)	1.857 (47.17)	0.230 (5.84)	0.450 (11.43)
C	37	62	17-1727-2	2.730 (69.34)	1.830 (46.48)	0.906 (23.01)	0.640 (16.26)	0.726 (18.44)	2.500 (63.50)	0.350 (8.89)	0.650 (16.51)
D	50	78	17-1728-2	2.645 (67.18)	1.855 (47.12)	0.940 (23.88)	0.440 (11.18)	0.726 (18.44)	2.406 (61.11)	0.350 (8.89)	0.650 (16.51)

INCHES (MM)

ACCESSORIES



Amphenol's plated plastic backshell accommodates most standard and high-density D-Subminiature connectors and is appropriate for cable assemblies requiring compliance to FCC 20780. This version is highly durable and provides EMI/RFI protection. The rubber grommet compression insert forces the cable's shielding against the inside of the cable exit area, assuring shielding. The 45° cable exit helps save space behind equipment.

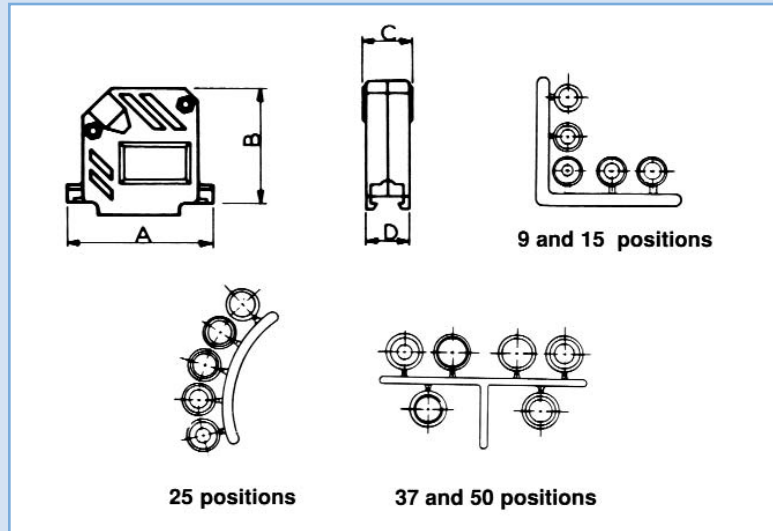
45° Plated Plastic Backshell

SPECIFICATIONS:

Housing Material:	ABS Polymer
Plating:	Nickel over copper
Grommet Material:	PVC (UL 94 VO)
Mounting Hardware:	Steel, clear zinc finish

ASSEMBLY INSTRUCTIONS

1. Select the tightest insert that will fit over the cable and thread the cable through it, placing the end with the smaller O.D. (the end without the washer) towards the connector.
2. Cut the jacket, fold the shielding back over the outside of the insert and cut it just short of the washer.
3. Install jackscrews and connector.
4. Place the washer in the outermost depression in the exit area of the hood and screw the cover closed.



DIMENSIONS AND ORDERING INFORMATION

Shell Size	Standard # of Contacts	Hi-Density # of Contacts	Part #	Dimensions						Cable Diameter Range	
				A	B	C	D	E	F	Minimum	Maximum
E	9	15	17-1824-2	1.217 (30.91)	1.430 (36.32)	0.640 (16.26)	0.640 (16.26)	0.400 (10.16)	0.984 (24.99)	0.210 (5.33)	0.320 (8.13)
A	15	26	17-1825-2	1.545 (39.24)	1.568 (39.83)	0.640 (16.26)	0.640 (16.26)	0.400 (10.16)	1.312 (33.32)	0.210 (5.33)	0.320 (8.13)
B	25	44	17-1826-2	2.090 (53.09)	1.735 (44.07)	0.710 (18.03)	0.640 (16.26)	0.522 (13.26)	1.857 (47.17)	0.230 (5.84)	0.450 (11.43)
C	37	62	17-1827-2	2.734 (69.44)	1.976 (50.19)	0.906 (23.01)	0.640 (16.26)	0.726 (18.44)	2.500 (63.5)	0.350 (8.89)	0.650 (16.51)

Two-Piece Die Cast Shielded Backshells

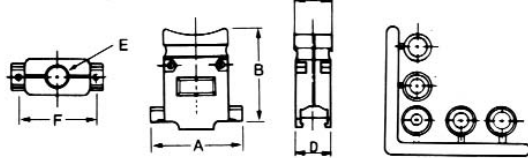
SPECIFICATIONS:

Housing Material: Die cast zinc
 Grommet Material: PVC (UL 94 VO)
 Mounting Hardware: Steel, clear zinc finish

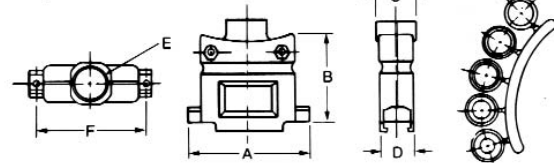
ASSEMBLY INSTRUCTIONS

1. Select the tightest insert that will fit over the cable and thread the cable through it, placing the end with the smaller O.D. (the end without the washer) towards the connector.
2. Cut the jacket, fold the shielding back over the outside of the insert and cut it just short of the washer.
3. Install jackscrews and connector.
4. Place the washer in the outermost depression in the exit area of the hood and screw the cover closed.

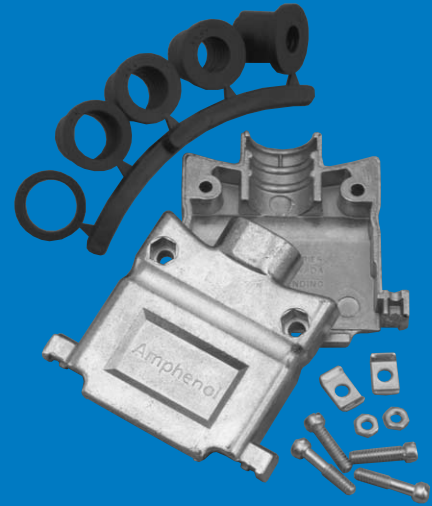
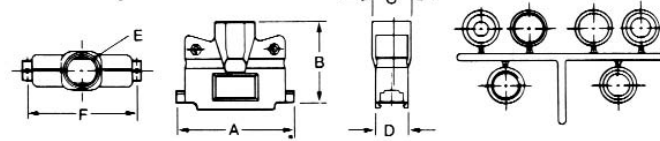
9 and 15 positions



25 positions



37 and 50 positions



Amphenol's metal backshell accommodates most standard and high-density D-Subminiature connectors and is appropriate for cable assemblies requiring compliance to FCC 20780. This version is highly durable and provides EMI/RFI protection. The rubber grommet compression insert forces the cable's shielding against the inside of the cable exit area, assuring shielding.

DIMENSIONS AND ORDERING INFORMATION

Shell Size	Standard # of Contacts	Hi-Density # of Contacts	Part #	Dimensions						Cable Diameter Range	
				A	B	C	D	E	F	Minimum	Maximum
E	9	15	17-1657-09	1.217 (30.91)	1.430 (36.32)	0.640 (16.26)	0.640 (16.26)	0.400 (10.16)	0.984 (24.99)	0.210 (5.33)	0.320 (8.13)
A	15	26	17-1657-15	1.545 (39.24)	1.568 (39.83)	0.640 (16.26)	0.640 (16.26)	0.400 (10.16)	1.312 (33.32)	0.210 (5.33)	0.320 (8.13)
B	25	44	17-1657-25	2.090 (53.09)	1.735 (44.07)	0.710 (18.03)	0.640 (16.26)	0.522 (13.26)	1.857 (47.17)	0.230 (5.84)	0.450 (11.43)
C	37	62	17-1657-37	2.734 (69.44)	1.976 (50.19)	0.906 (23.01)	0.640 (16.26)	0.726 (18.44)	2.500 (63.5)	0.350 (8.89)	0.640 (16.26)

INCHES (MM)

Mouser Electronics

Authorized Distributor

Click to View Pricing, Inventory, Delivery & Lifecycle Information:

[Amphenol:](#)

[617HC18FBF100](#) [617H-C18-GAJ-103](#) [617H050FAJ100](#) [617HC30FBF100](#)