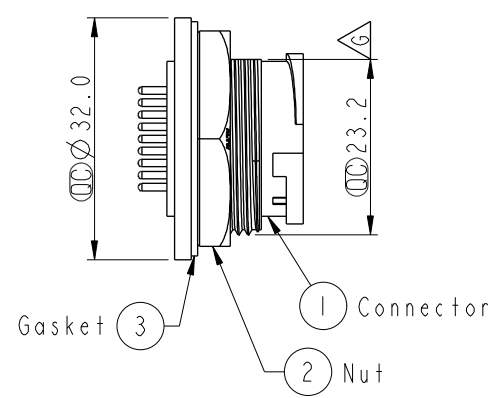
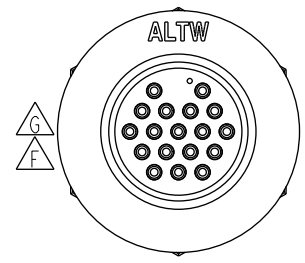
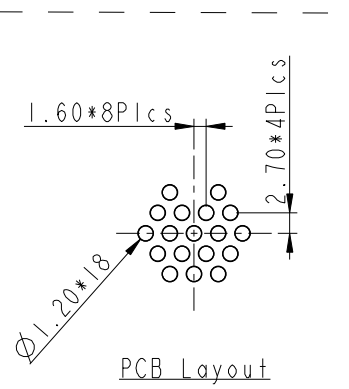
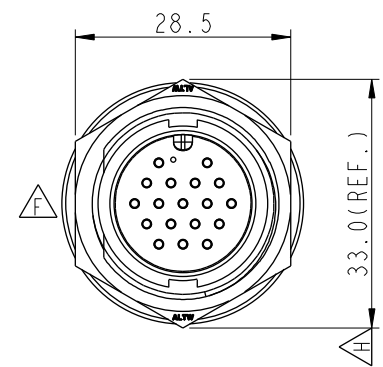
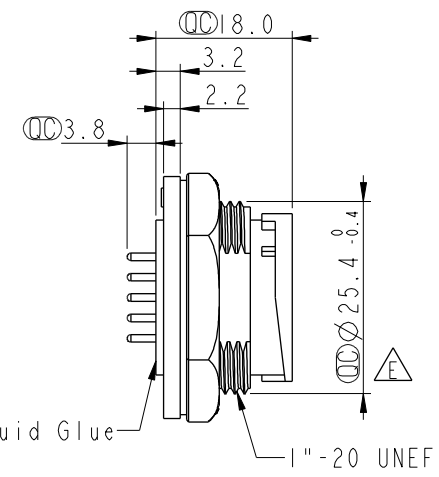


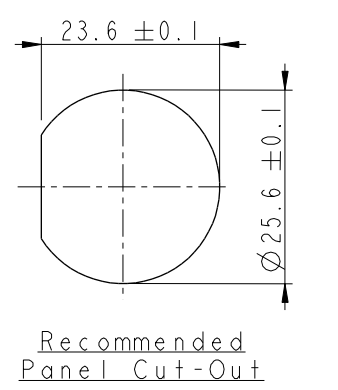
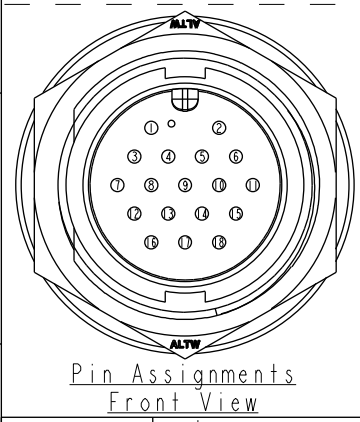
THIS DOCUMENT IS SUBJECT TO CHANGE WITHOUT NOTICE. IT IS CONFIDENTIAL AND A PROPERTY OF AMPHENOL LTW. DISCLOSURE TO THIRD PARTY HAS TO BE AUTHORIZED BY AMPHENOL LTW.

REV.	ECN NO.	DATE	SIGN	DESCRIPTION
G	LEN14C0582	2014/12/22	Sam	Update Logo & Dimenison
H	LEN1610095	2016/01/11	Vicky	Update Dimension & Note
J	CI90314	2019/03/12	Ruru	Modify Note

**ALTW**  
**CONFIDENTIAL**  
 2019-03-12  
**R&D DEPT.**



- Note:
- \* Important Dimension.
  - \* Waterproof Rate: IP67, Unmated
  - \* Housing: Thermoplastic, Black
  - \* Pin: Copper Alloy, Gold Plated
  - \* Nut: Thermoplastic, Black
  - \* Gasket: Rubber, Black
  - \* Use Waterproof Cap or Dust Cap  
Panel Thickness Max: 3.0mm
  - \* Use without Waterproof Cap or Dust Cap  
Panel Thickness Max: 4.0mm



UNIT: mm		TITLE Large Panel Lock 18Pin M Conn M Pin			<h1 style="margin: 0;">Amphenol LTW</h1> <p style="margin: 0;">安費諾亮泰企業股份有限公司</p>	ITEM NO DD-18PMMP-LC7001	DRAWN BY Ruru	DATE 2019-03-12
		TOLERANCE .X ±0.25 .XX ±0.1 .XXX ±0.05 ANGLES ±1°	SCALE 1:1	SIZE A4		SHEET 1 OF 1	DWG NO DD-18PMMP-LC7001	CHECKED BY Rita
		REV. J	WC-REV. A.3	Inspection item	CUSTOMER ALTW	APPROVED BY Max	DATE 2019-03-12	

# Mouser Electronics

Authorized Distributor

Click to View Pricing, Inventory, Delivery & Lifecycle Information:

[Amphenol:](#)

[DD-18PMMP-LC7001](#)