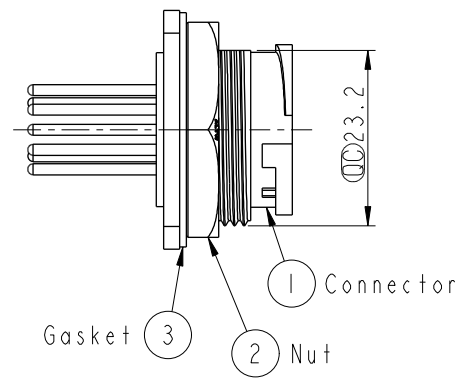
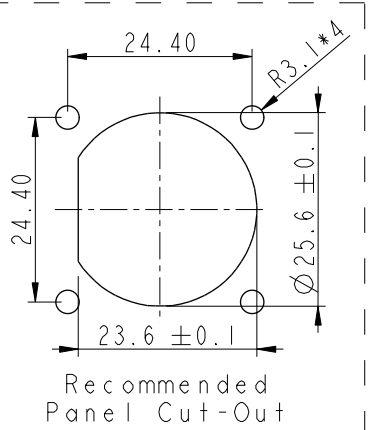
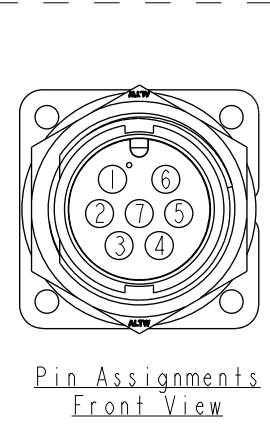
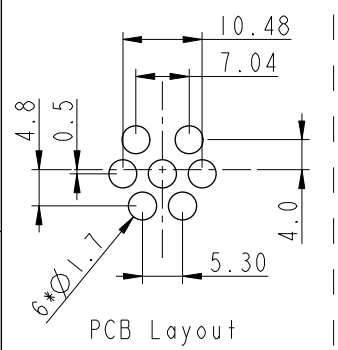
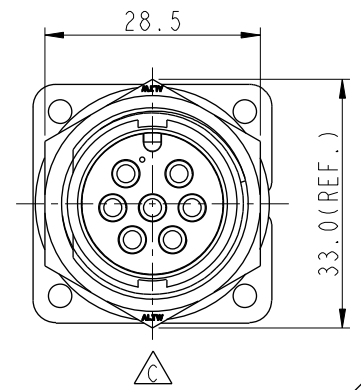
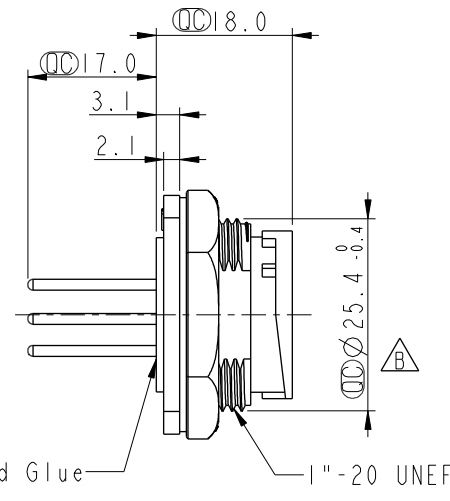
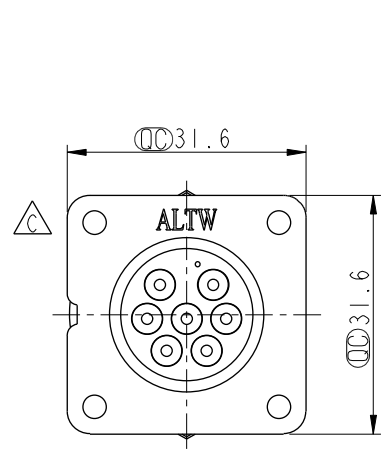


THIS DOCUMENT IS SUBJECT TO CHANGE WITHOUT NOTICE. IT IS CONFIDENTIAL AND A PROPERTY OF Amphenol LTW. DISCLOSURE TO THIRD PARTY HAS TO BE AUTHORIZED BY Amphenol LTW.

REV.	ECN NO.	DATE	SIGN	DESCRIPTION
B	LEN-8A0198	2008/09/15	Shin	Add Notes
C	LEN1740955	2017/04/11	Vicky	Update Logo
D	CI90314	2019/03/12	Ruru	Modify Note



- Note:
- * Important Dimension
 - * Waterproof Rate: IP67, Unmated
 - * Housing: Thermoplastic, Black
 - * Pin: Copper Alloy, Gold Plated
 - * Nut: Thermoplastic, Black
 - * Gasket: Rubber, Black
 - * Use Waterproof Cap or Dust Cap
Panel Thickness Max: 3.0mm
 - * Use without Waterproof Cap or Dust Cap
Panel Thickness Max: 4.0mm
 - * Gasket and Nut are packed separately in PE bags.

UNIT:mm		
TOLERANCE	.X ±0.25	
	.XX ±0.1	
	.XXX ±0.05	
ANGLES	±1°	

TITLE Large Panel Lock 7Pin M Conn M Pin			
SCALE 1:1	SIZE A4	SHEET 1 OF 1	
REV. D	WC-REV. A.3	Inspection item	

Amphenol LTW
安費諾亮泰企業股份有限公司

ITEM NO DC-07PMMP-LS7001	DRAWN BY Ruru	DATE 2017-04-11
DWG NO DC-07PMMP-LS7001	CHECKED BY Rita	DATE 2017-04-11
CUSTOMER ALTW	APPROVED BY Max	DATE 2017-04-11

Mouser Electronics

Authorized Distributor

Click to View Pricing, Inventory, Delivery & Lifecycle Information:

[Amphenol:](#)

[DC-07PMMP-LS7001](#)