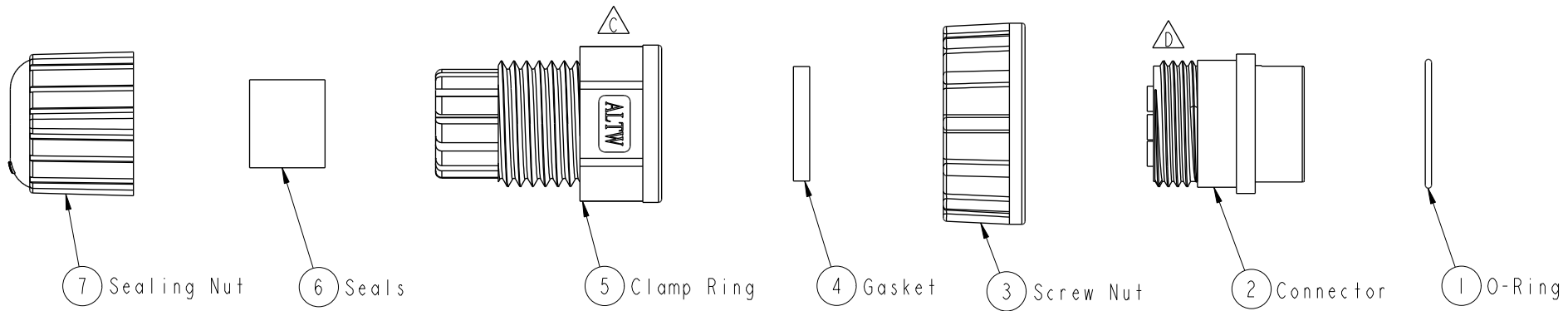
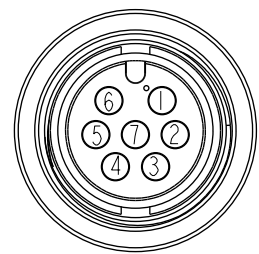
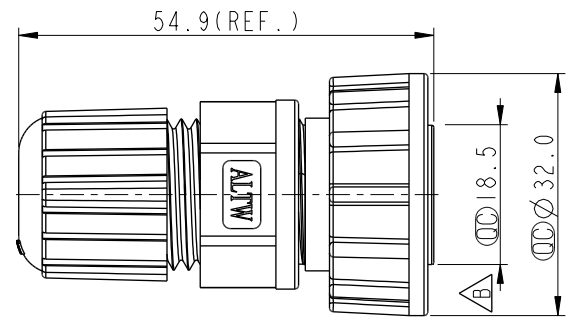


THIS DOCUMENT IS SUBJECT TO CHANGE WITHOUT NOTICE. IT IS CONFIDENTIAL AND A PROPERTY OF AMPHENOL LTW. DISCLOSURE TO THIRD PARTY HAS TO BE AUTHORIZED BY AMPHENOL LTW.

REV.	ECN NO.	DATE	SIGN	DESCRIPTION
B	LEN-890063	2008/09/05	Li Xiu Zhi	Change 18.0±0.25 To 18.5+0.00/-0.30
C	LEN1741283	2017/04/20	Vicky	Update Logo
D	C200914	2020/06/16	Ruru	$\triangle D$ X3



**ALTW**  
 CONFIDENTIAL  
 2020-06-16  
 R&D DEPT.



Pin Assignments  
Front View

- $\triangle D$  Note:
- \*  $\text{CC}$  Important Dimension
  - \* Waterproof Rate: IP67
  - \* Housing: Thermoplastic, Black
  - \* Female Pin: Copper Alloy, Gold Plated
  - \* O-Ring: Rubber, Black
  - \* Screw Nut: Thermoplastic, Black
  - \* Gasket: Rubber, Black
  - \* Clamping Ring: Thermoplastic, Black
  - \* Seals: Rubber, Black
  - \* Sealing Nut: Thermoplastic, Black
  - \* Seals For Cable OD:  $\varnothing 5.5\text{mm} \sim 10.8\text{mm}$
  - \* One Set Unassembled In One PE Bag

UNIT:mm

TOLERANCE  $\pm 0.5 \text{ mm}$

TITLE O CERES, D-20A, 07P, CABLE W/O SR F, F, FI SOLDER, SCREW $\triangle B$ $\triangle D$			
SCALE 1:1	SIZE A4	SHEET 1 OF 1	
REV. D	WC-REV. A.3	$\text{CC}$ : Inspection item	

Amphenol LTW

安費諾亮泰企業股份有限公司

ITEM NO. DC-07BFFA-SL7001	DRAWN BY Vicky	DATE 2017-04-20
DWG NO. DC-07BFFA-SL7001	CHECKED BY Rita	DATE 2017-04-20
CUSTOMER ALTW	APPROVED BY Max	DATE 2017-04-20

# Mouser Electronics

Authorized Distributor

Click to View Pricing, Inventory, Delivery & Lifecycle Information:

[Amphenol:](#)

[DC-07BFFA-SL7001](#)