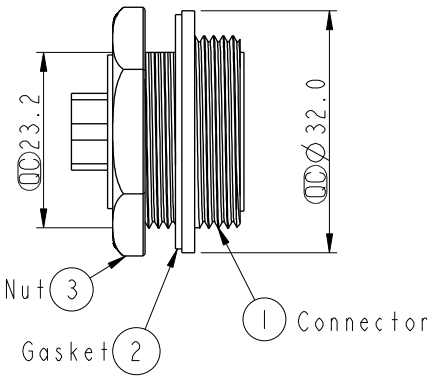
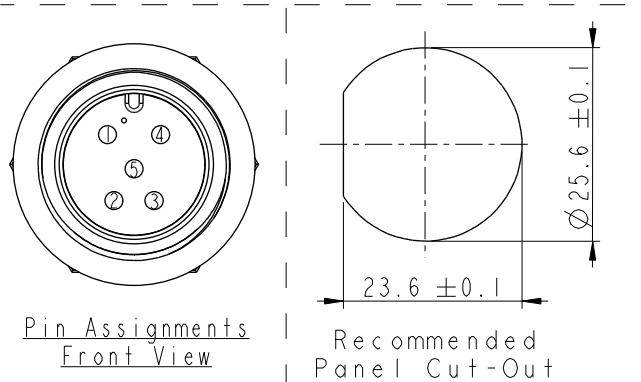
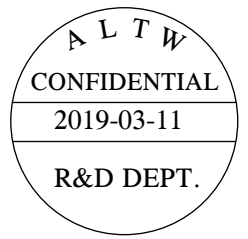
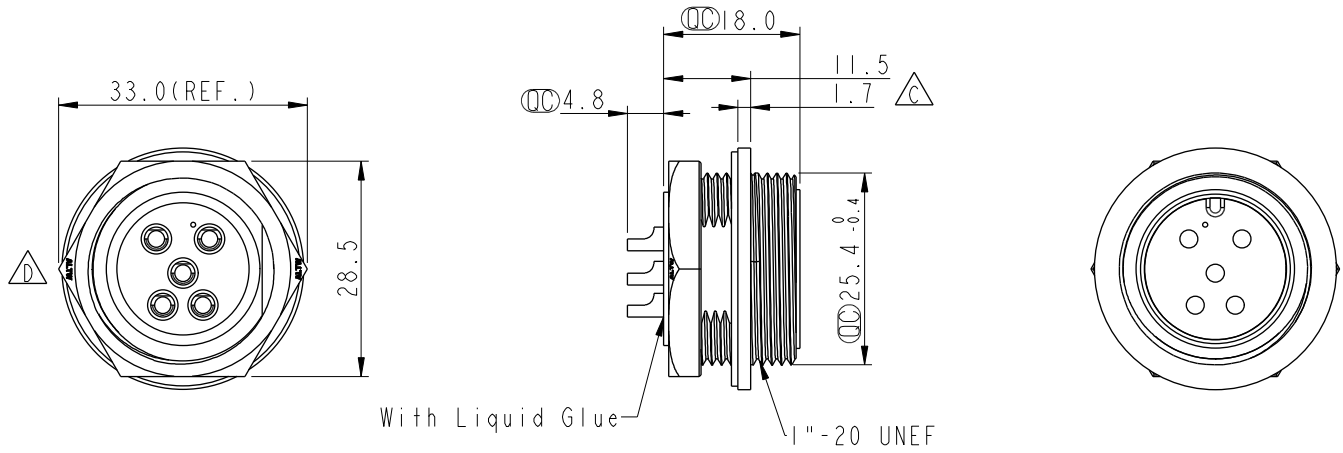


REV.	ECN NO.	DATE	SIGN	DESCRIPTION
B	LEN-8A0241	2008/09/11	Shin	Add Notes
C	LEN17C0159	2017-11-29	Lingpeng	Change The Design
D	CI90310	2019/03/11	Ruru	Modify Note & Change Logo



NOTE: $\triangle C \triangle D$

- * CC Important Dimension To Check.
- * Waterproof Rate: IP67, Unmated
- * Housing: Thermoplastic, Black
- * Pin: Copper Alloy, Gold Plated
- * Nut: Thermoplastic, Black
- * Gasket: Rubber, Black
- * Panel Thickness Max: 4.0mm
- * Gasket and Nut are packed separately in PE bags.

UNIT:mm TOLERANCE .X ±0.25 .XX ±0.1 .XXX ±0.05 ANGLES ±1°	TITLE LARGE Panel Screw 5Pin M Conn M Pin			Amphenol LTW 安費諾亮泰企業股份有限公司		ITEM NO DC-05RMMS-SC7001	DRAWN BY Ruru	DATE 2019-03-11
	SCALE 1:1	SIZE A4	SHEET 1 OF 1			DWG NO DC-05RMMS-SC7001	CHECKED BY Rita	DATE 2019-03-11
	REV. D	WC-REV. A.2	CC : Inspection item			CUSTOMER ALTW	APPROVED BY Max	DATE 2019-03-11

THIS DOCUMENT IS SUBJECT TO CHANGE WITHOUT NOTICE. IT IS CONFIDENTIAL AND A PROPERTY OF AMPHENOL LTW. DISCLOSURE TO THIRD PARTY HAS TO BE AUTHORIZED BY AMPHENOL LTW.

Mouser Electronics

Authorized Distributor

Click to View Pricing, Inventory, Delivery & Lifecycle Information:

[Amphenol:](#)

[1DC-05RMMS-SC7001](#)