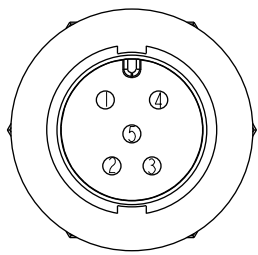
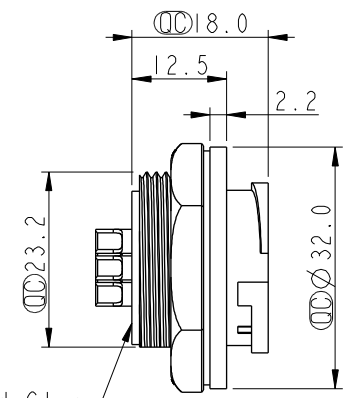


THIS DOCUMENT IS SUBJECT TO CHANGE WITHOUT NOTICE. IT IS CONFIDENTIAL AND A PROPERTY OF AMPHENOL LTW. DISCLOSURE TO THIRD PARTY HAS TO BE AUTHORIZED BY AMPHENOL LTW.

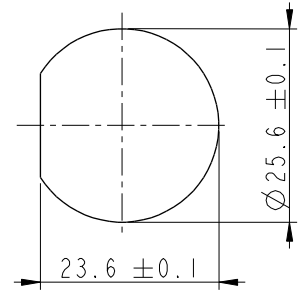
REV.	ECN NO.	DATE	SIGN	DESCRIPTION
B	LEN-8A0240	2008/09/11	Shin	Add Notes
C	CI90310	2019/03/11	Ruru	Modify Note & Change Logo



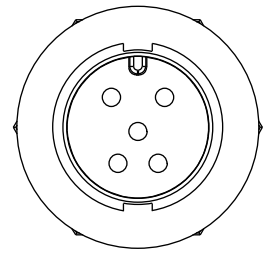
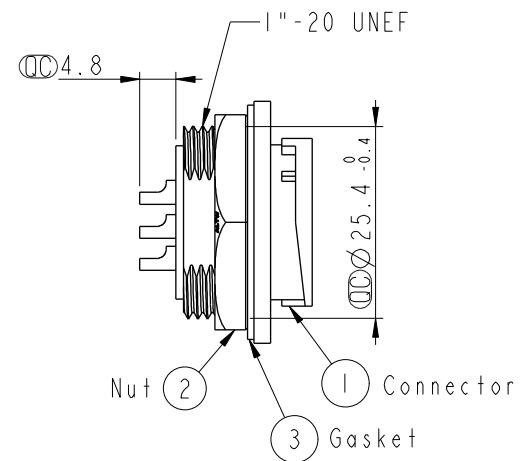
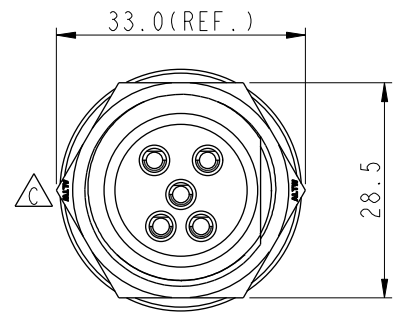
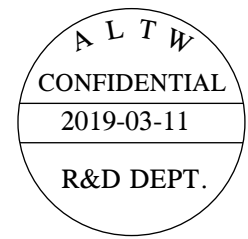
Pin Assignments
Front View 前視圖



With Liquid Glue



Recommended Panel Cut-Out



NOTE: \triangle

- * ⌀ Important Dimension.
- * Waterproof Rate: IP67, Unmated
- * Housing: Thermoplastic, Black
- * Pin: Copper Alloy, Gold Plated
- * Nut: Thermoplastic, Black
- * Gasket: Rubber, Black
- * Liquid Glue: Clear
- * Use Waterproof Cap or Dust Cap
- \triangle Panel Thickness Max: 3.0mm
- * Use without Waterproof Cap or Dust Cap
- \triangle Panel Thickness Max: 4.0mm
- * Gasket and Nut are packed separately in PE bags.

A	UNIT: mm	TITLE LARGE PANEL LOCK 5PIN M CONN M PIN			Amphenol LTW 安費諾亮泰企業股份有限公司		ITEM NO. DC-05RMMS-LC7001	DRAWN BY Ruru	DATE 2019-03-11
	TOLERANCE .X ±0.25 .XX ±0.1 .XXX ±0.05 ANGLES ±1°	SCALE 1:1	SIZE A4	SHEET 1	OF 1	DWG NO. DC-05RMMS-LC7001	CHECKED BY Rita	DATE 2019-03-11	
	REV. C	WC-REV. A.1	⌀ : Inspection item		CUSTOMER ALTW	APPROVED BY Max	DATE 2019-03-11		
	2			3			8 W10814-03-001A2		

Mouser Electronics

Authorized Distributor

Click to View Pricing, Inventory, Delivery & Lifecycle Information:

[Amphenol:](#)

[1DC-05RMMS-LC7001](#)