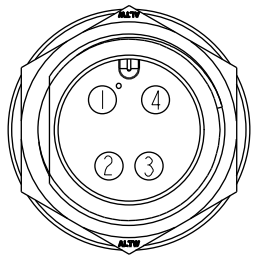
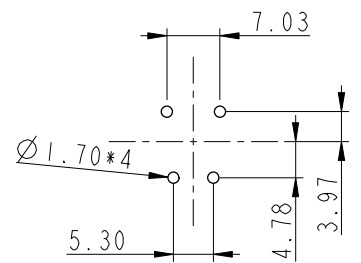
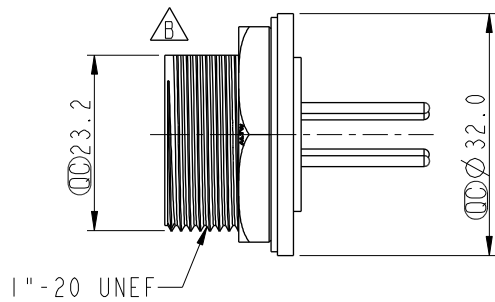


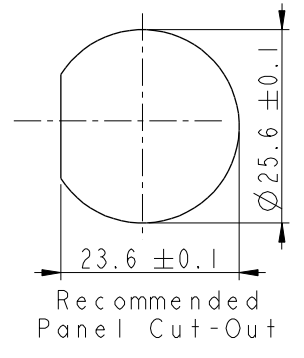
REV.	ECN NO.	DATE	SIGN	DESCRIPTION
C	LEN1730329	2017/03/22	Vicky	Update Logo
D	LEN1840076	2018/04/13	Ethan	Modify Panel Thickness
E	CI90310	2019/03/12	Ruru	Modify Note



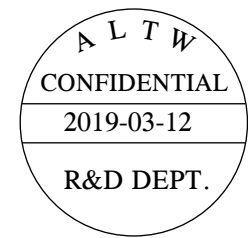
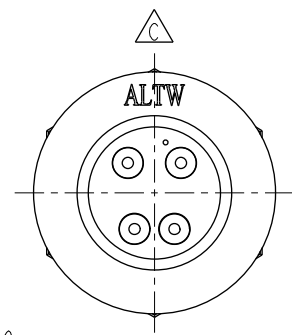
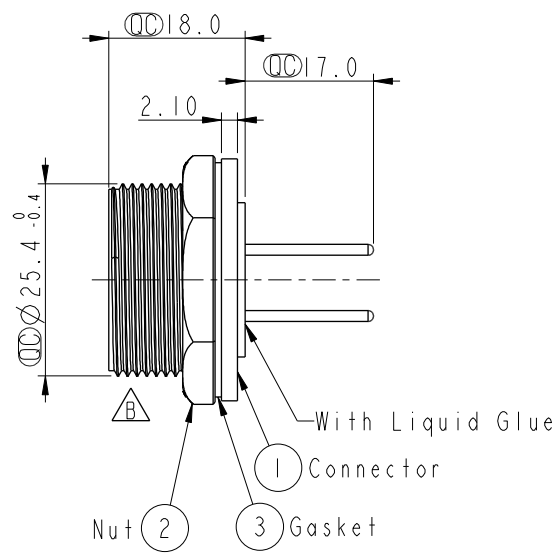
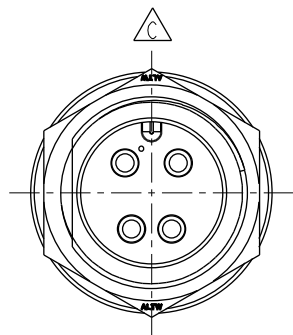
Pin Assignments
Front View



4Pin Male Connector
Male Pin PCB Layout
4Pin 公接頭
PCB挖孔位置尺寸圖



Recommended
Panel Cut-Out



- Note:
- * Important Dimension
 - * Waterproof Rate: IP67, Unmated
 - * Housing: Thermoplastic, Black
 - * Pin: Copper Alloy, Gold Plated
 - * Nut: Thermoplastic, Black
 - * Gasket: Rubber, Black
 - * Use Waterproof Cap or Dust Cap
Panel Thickness Max: 1.8mm
 - * Use without Waterproof Cap or Dust Cap
Panel Thickness Max: 3.0mm
 - * Gasket and Nut are packed separately in PE bags.

UNIT:mm	
TOLERANCE	
.X	±0.25
.XX	±0.1
.XXX	±0.05
ANGLES	±1°

TITLE Screw Type Connector For Panel Mount 4Pin Male Connector Male Pin(20A)			
SCALE 1:1	SIZE A4	SHEET 1	OF 1
REV. E	WC-REV. A.3	: Inspection item	

Amphenol LTW
安費諾亮泰企業股份有限公司

ITEM NO. DC-04PMMP-SC7001	DRAWN BY Ruru	DATE 2019-03-12
DWG NO. DC-04PMMP-SC7001	CHECKED BY Rita	DATE 2019-03-12
CUSTOMER ALTW	APPROVED BY Max	DATE 2019-03-12

THIS DOCUMENT IS SUBJECT TO CHANGE WITHOUT NOTICE. IT IS CONFIDENTIAL AND A PROPERTY OF Amphenol LTW. DISCLOSURE TO THIRD PARTY HAS TO BE AUTHORIZED BY Amphenol LTW.

Mouser Electronics

Authorized Distributor

Click to View Pricing, Inventory, Delivery & Lifecycle Information:

[Amphenol:](#)

[DC-04PMMP-SC7001](#)